



RRUC

Small Adjustable Utility Case
With Pick-&-Fit Foam



Rugged Road Ready Features

- * Double Anchor Industrial Rivets
- * Industrial Grade Rubber Feet
- * Premium Vinyl Laminated Plywood
- * Tongue and Groove Locking Fit
- * Pick-&-Fit Foam Technology

Product Dimensions

Shipping Dimensions (inch): 13.3 x 13.3 x 6.6

Shipping Weight (lbs): 7.7

Product Dimensions (inch): 12.7 x 12.7 x 5.9

Product Weight (lbs): 6.8

Shipping Dimensions (cm): 34 x 34 x 17

Shipping Weight (kg): 3.5

Product Dimensions (cm): 32.5 x 32.5 x 15

Product Weight (kg): 3.1

Your gear can change, your case shouldn't. This was the thinking behind the design of our RRUC utility case. Designed for all your uniquely shaped units like drum and rhythm machines, groove effects, samplers, effect boxes, compact projectors, CD players, small lasers, headphones and others, the RRUC is built to accommodate all units up to 10.5" long, 9" wide, and 4" high. The RRUC features our exclusive high-density Pick-&-Fit foam which allows you to create the perfect custom storage space for whatever you like. Simply shape the Pick-&-Fit Foam to create your perfect fit. If your needs change, your case doesn't have to; Pick-&-Fit Foam replacements are readily available.

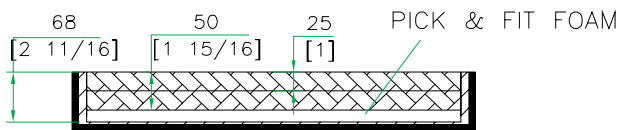
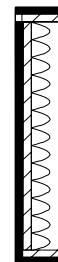
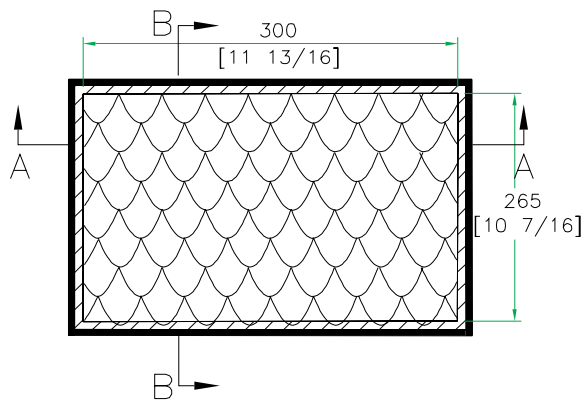
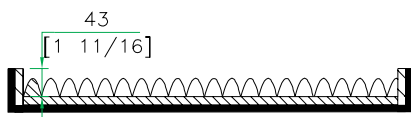
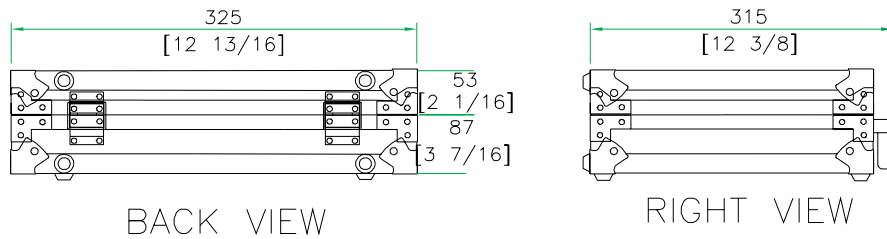
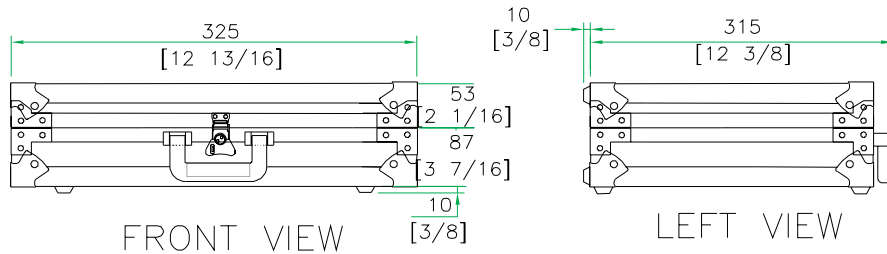
Road Ready Cases

1226 Corral Place * Santa Fe Springs, CA 90670

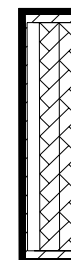
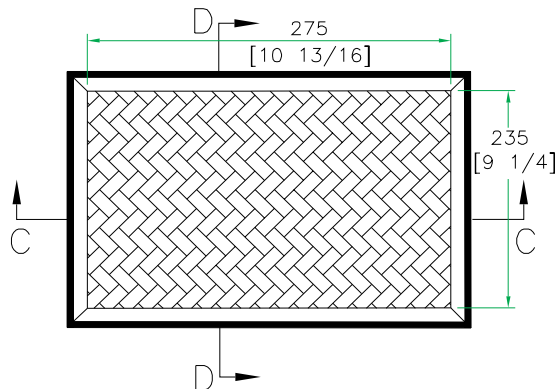
ph: 562.906.6185 * fax: 562.906.6186

WWW.ROADREADYCASES.COM

RRUC



C-C VIEW



TOP VIEW OF BASE

D-D VIEW