



i series

DATASHEET

I SERIES OVERVIEW

The I Series range comprehends the I4, a 4" LF transducer and a 0.8" Dome Tweeter, the I6, a 6" LF driver with a 1" HF Driver, and finally the I8 composed by a 8" LF transducer with a 1" HF Driver.

The whole series' speakers are housed in a stylish weatherproof plastic cabinet (IP65) providing an excellent architectural integration, both indoor and outdoor.

This speaker is an ideal solution for PA applications in restaurants, bars, malls or conferences. The very accurate speaker's coverage allows the people, among the audience, to perceive the sound in the same way.

For even greater versatility, the whole series' speakers can be used at 100V or 16Ω. In high-impedance (100V) operation, a multi tap transformer is available with 3 different taps.

I SERIES ACCESSORIES

All the speakers from I Series come with a U-Bracket included on the packaging. All the U-Brackets are made from Steel with a Hot-dip Galvanization, coating the steel with a layer of zinc, turning it resistant to corrosion.

Other wall brackets (with pan and tilt) are available for I4 and I8 speakers.

CONNECTIONS

The I Series speakers are equipped with a 4-positions (IN+/IN- and LINK+/LINK-) Phoenix connector located on the back plate. The screw connector provides a faster and easier way to wire the system allowing the speaker to perfectly fit the wall shape while keeps the cables invisible.

100V TAP SELECTOR

Every speakers from I Series are equipped with a multi-tap 100V transformer. There is a rotary selector placed on the back panel, near the connections plug, that allows you to change either the 100V power or 16Ω usage.

I4 power taps: 10W, 20W and 40W.

I6 power taps: 20W, 40W, and 80W.

I8 power taps: 37.5W, 75W, and 150W.

BACK COVER

There is a back cover that permits the speaker to be exposed to rain or highly humid environments. Make sure that back cover is correctly installed and the cable gland is firmly screwed on.

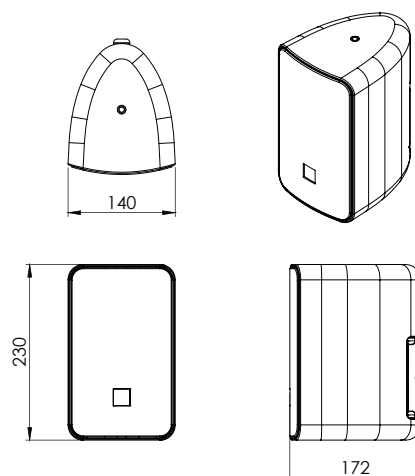
Note:

The IP65 can only be achieved when the back cover is in place.

I4 TECHNICAL SPECIFICATIONS

I4 DIMENSIONS

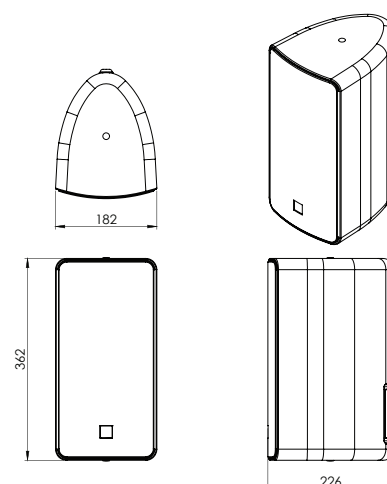
NEXT I4 TECHNICAL SPECIFICATIONS	
Speaker Type	2-Way Passive Speaker (100V)
Frequency Response	75Hz – 20kHz
Sensitivity (1W@1m)	88dB
Calculated Max. SPL (Cont/Peak)	104dB / 107dB (Full-Space)
Horizontal Coverage Angle (-6dB)	115°
Vertical Coverage Angle (-6dB)	90°
Components	LF: 1 x 4" Speaker HF: 1 x 0.8" Dome Tweeter
Rated Power	40W (RMS) / 80W (Program)
Nominal Impedance	16Ω
100V Transformer Taps	10W, 20W, 40W
Recommended Amplifier	Please consult your NEXT-proaudio Dealer
Connectors	4 Pins Screw Connector (IN/OUT)
Construction	Weatherproof Plastic Cabinet (IP65)
Grille	Acoustic Transparent Aluminum Grille
Dimensions (WxHxD)	140 x 230 x 172 mm
Net Weight	2.8kg
Shipping Quantity	2pcs
Shipping Weight	7kg



I6 TECHNICAL SPECIFICATIONS

I6 DIMENSIONS

NEXT I6 TECHNICAL SPECIFICATIONS	
Speaker Type	2-Way Passive Speaker (100V)
Frequency Response	60Hz – 18kHz
Sensitivity (1W@1m)	89dB
Calculated Max. SPL (Cont/Peak)	108dB / 111dB (Full-Space)
Horizontal Coverage Angle (-6dB)	100°
Vertical Coverage Angle (-6dB)	75°
Components	LF: 1 x 6" Speaker HF: 1 x 1" Driver
Rated Power	80W (RMS) / 160W (Program)
Nominal Impedance	16Ω
100V Transformer Taps	20W, 40W, 80W
Recommended Amplifier	Please consult your NEXT-proaudio Dealer
Connectors	4 Pins Screw Connector (IN/OUT)
Construction	Weatherproof Plastic Cabinet (IP65)
Grille	Acoustic Transparent Aluminum Grille
Dimensions (WxHxD)	182 x 362 x 226 mm
Net Weight	6.5kg
Shipping Quantity	2pcs
Shipping Weight	15.6kg



I8 TECHNICAL SPECIFICATIONS

I8 DIMENSIONS

NEXT I8 TECHNICAL SPECIFICATIONS	
Speaker Type	2-Way Passive Speaker (100V)
Frequency Response	60Hz – 18kHz
Sensitivity (1W@1m)	94dB
Calculated Max. SPL (Cont/Peak)	116dB / 119dB (Full-Space)
Horizontal Coverage Angle (-6dB)	100°
Vertical Coverage Angle (-6dB)	70°
Components	LF: 1 x 8" Speaker HF: 1 x 1" Driver
Rated Power	150W (RMS) / 300W (Program)
Nominal Impedance	16Ω
100V Transformer Taps	37.5W, 75W, 150W
Recommended Amplifier	Please consult your NEXT-proaudio Dealer
Connectors	4 Pins Screw Connector (IN/OUT)
Construction	Weatherproof Plastic Cabinet (IP65)
Grille	Acoustic Transparent Aluminum Grille
Dimensions (WxHxD)	240 x 450 x 287 mm
Net Weight	10.7kg
Shipping Quantity	1pcs
Shipping Weight	12.2kg

