



Visit product page



## FOS HYDOR BSW

L005609

Innovative outdoor IP66 multipurpose Beam/Spot/Wash (BSW) moving head, MSD Platinum 25R 550 watt, Total Output (Lumen)130.000, 7800K, CRI 85Ra, Zoom range 1.7°-38°, variable High-precision glass lenses, electronic linear HD focus, 2 prims,8-facet, Symmetric prism, 8 interchangeable rotation gobos, 13 fixed gobos, animation wheel, CMY + CTO + CTB color wheels + 12 colors, DMX-512 RDM - Control channels (DMX): 27/25/35, 46kg.

### TECHNICAL DETAILS

#### Light Source / Optics

Light source: Philips 550 Watt MSD Platinum 25R.

Lifetime: approx. 1500 hours.

Color temperature: 7800 K.

Total Output: 13000 lumens

CRI:  $\geq$  85

electronic Ballast

#### Effects

Zoom: 1.7°-45°

BEAM 1.7° / SPOT 0° -17° / WASH 3.4° - 45°

High-precision glass lenses, electronic linear HD focus

Rotating gobo wheel with 8 interchangeable gobos + open.

Outer dimension:16.4mm Effective dimension: 7mm Thickness: 1.5mm

Gobo Material: Glass Fixed gobo wheel with 13 patterns + open.

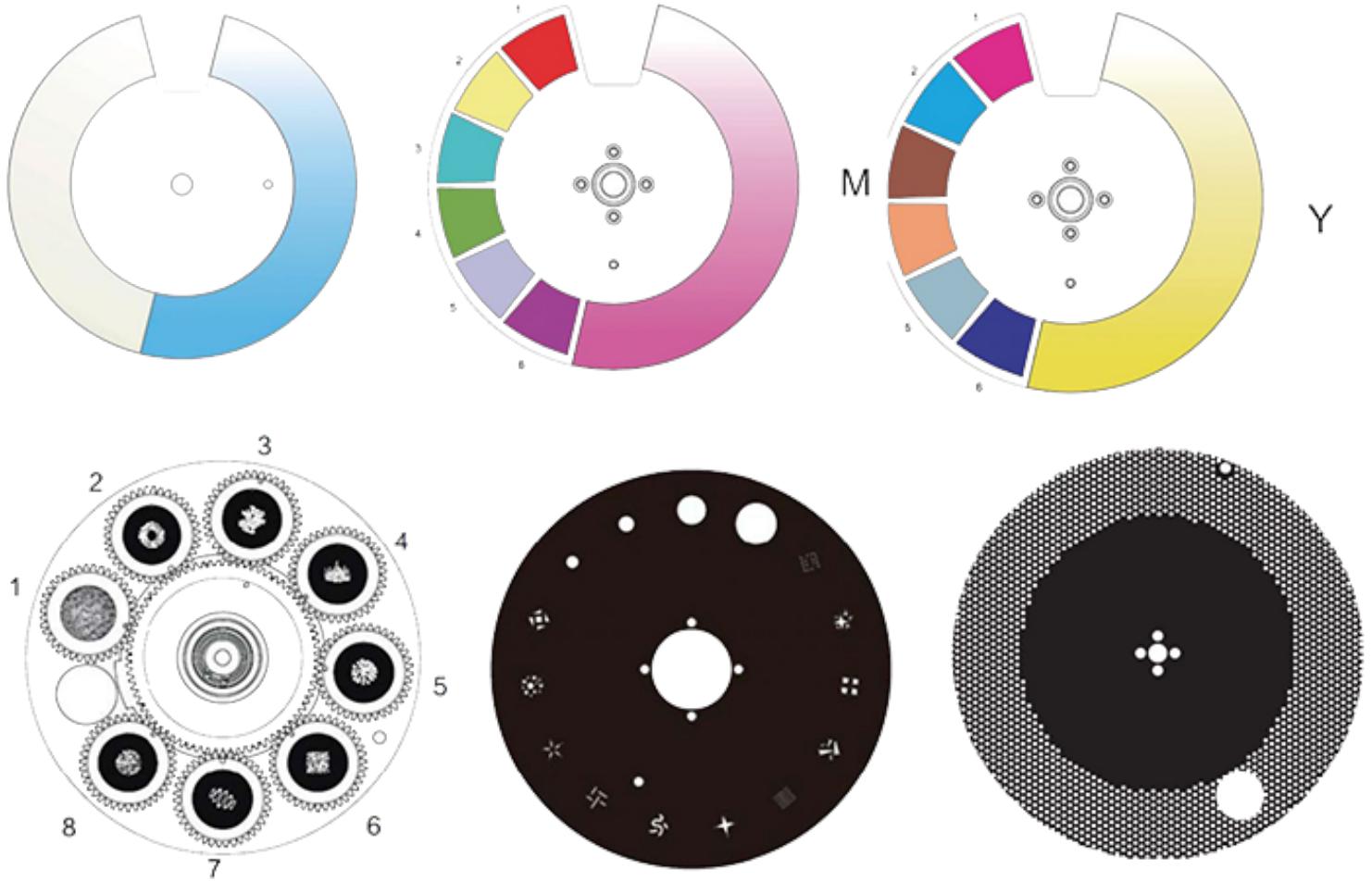
2 combinable prism: 8F circular & linear, 2 prism combination can produce concentric circle effect

High precision Frost filter.

Animation wheel.

CMY + CTO color mixing system with 3 wheels (CTO is together with Cyan), plus 12 colors for rainbow and split colors.

Variable Color Temperature



## Control

Test and Manual modes for onboard control.

DMX control with 27, 25, and 35 channels (Standard, Basic & Extended).

Control channels (DMX): 27/25/35

Protocol: DMX-512 RDM

Display: OLED

DMX data input/output: Chassis 3-pin (in/out)

## Installation / Dimension details

IP66 protection against dust and humidity, suitable for use in outdoor applications.

Housing made of die cast aluminium, steel and plastic materials.

Operating temperatures: -15°C to +45°C.

Storage temperatures: -40°C to +60°C.

Cooling with forced air via fans.

Power input: 100 / 240 Volt AC, 50/60 Hz.

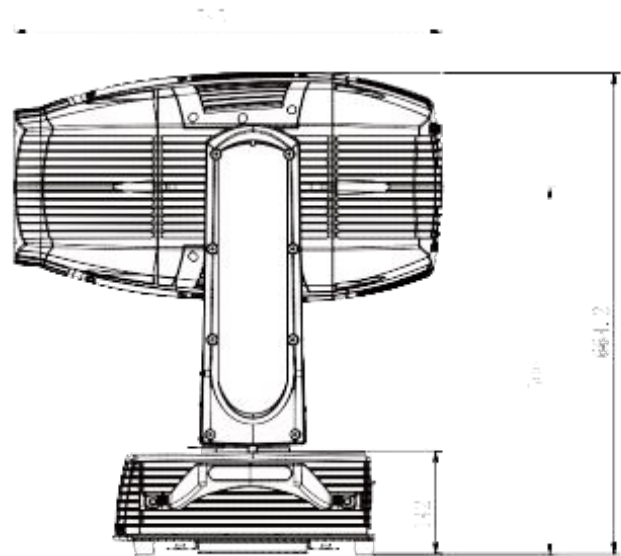
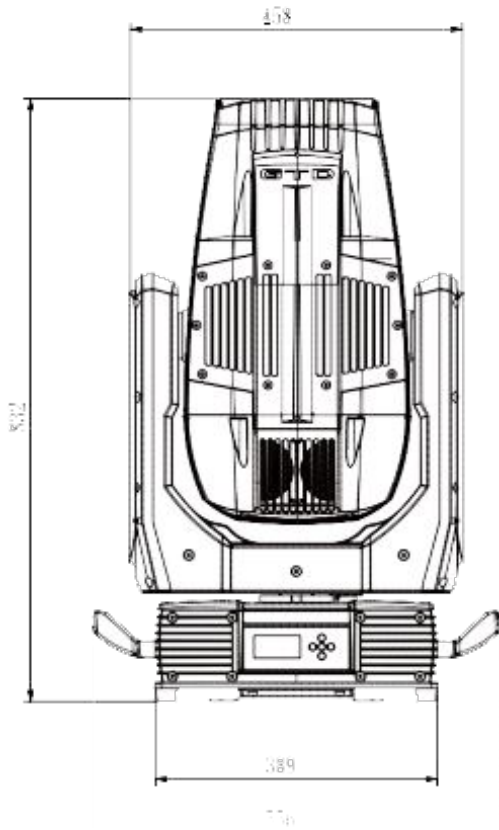
Power Consumption: 830 Watts, max. current draw 8,3A, Power Factor 0,9.

Auto ranging power supply.

True powercon in/out

Weight: 46 Kg.

Dimensions: 556 mm W x 832 mm H (head in vertical position) 664 mm H (head in horizontal position) x 458 mm D



## PHOTOS



## PRODUCT VIDEO

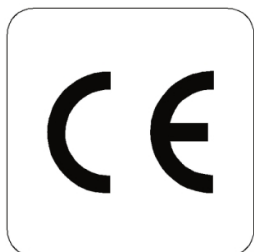


## ACCESSORIES



### FOS Case HYDOR BSW

Single case with wheels  
for 1 pc HYDOR BSW.



[www.fos-lighting.eu](http://www.fos-lighting.eu)

