



## FOS Splitter 8



# PRODUCT SPECIFICATIONS

## TECHNICAL SPECIFICATION

- DMX signal amplifier and distributor
- 1 input to 8 outputs plus DMX Thru
- 100% Electric isolation between input & output
- 100% Electric isolation between output & output
- DMX line can be terminated by a switch
- 3pin & 5pin DMX input
- 3pin & 5pin DMX thru.
- 1-4 outputs: 3pin DMX out
- 5-8 outputs: 3pin & 5pin DMX out
- Power and signal indicator for each output
- 1U rack mount
- Dimensions: 482 x 44 x 145 mm
- Weight: 3 Kg.
- Power Supply: 110 / 230 Volt AC, 50 / 60 Hz.
- Fuse: F1A / 250 Volt
- Consumption: 6 Watt max.

## SAFETY WARNING

This product must be installed by a qualified professional. All maintenance must be carried out by a qualified electrician. A minimum distance of 0.5 m must be maintained between the equipment and a combustible surface. The product must always be operated in a well-ventilated area. DO NOT stare directly into the light source. Always disconnect the power before carrying out any maintenance. The earth must always be connected to the ground. Ensure that all parts of the equipment are kept clean and free of dust.

# PROTECTION AGAINST SOLIDS AND WATER

## Only for IP-rated fixtures

The protection level of a housing is set by applied standards. For classification there is used the IP-Code. It contains the declaration „IP“and two following numbers. The first number characterizes the protection against harmful effects of solids, the second is rating the water protection. It is important to distinguish whether encapsulation and harmful effect! There can be housing that is not capsuled completely but still avoids harmful effect of solids or water.

## PROTECTION EXAMPLES:

**IP20:** Protection against intruding objects >12,5mm „Finger protected “; No waterproofing. **TYPICAL PROTECTION FOR INDOOR USE FIXTURES**

**IP33:** Protection against intruding objects >2,5mm; Falling water within an angle of 60° has no harmful effect **TYPICAL PROTECTION OF LED-LIGHTS USING RECESSED POWERCON AND DMX SOCKET.** This protection is linked to the mounting position of the fixture and always refers to typical mounting situation like a Floor spot used standing on the ground.

**IP54:** complete protection against solids and low-pressure water from any side **THIS TYPE OF FIXTURES CAN BE USED UNDER NORMAL OUTDOOR CONDITIONS.**

**IP65:** shielded against dust and pressurized water from any side. **TYPICAL PROTECTION FOR OUTDOOR RATED EVENTFIXTURES USING WATERPROOFED POWER AND SIGNAL LINK.**

**IP67:** shielded against dust and protected for accidental briefly submerge. **PROTECTION AGAINST ACCIDENTAL SUBMERGING ON TEMPORARY FLOODED AREA.**

## TEMPORARY USE

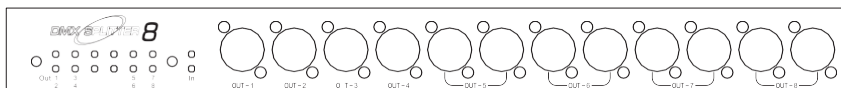
Event equipment is designed for temporary use. This are typical purpose as concerts, festivals, theatre, clubs and disco use and referable venues. Long-term use, specially under outdoor conditions and fixed outdoor installation can bring damage in aging materials and affect the coated surface. Sealings as well as cables are made from rubber material and will age by long-term UV-emission as sunlight and should be checked frequently.

# LIMITATIONS OF IP PROTECTION

IP-Rating doesn't mean unlimited outdoor use and protection against any kind of environmental influence! Especially sunlight and included UV will bring accelerated aging. Some fixtures need special parts or processes to fit the rated IP-Protection, like mounting covers or caps or similar. Sealings and other plastic or rubber materials are aging parts. They must be checked frequently to ensure the protection and safety of the fixtures. Also specified torque of screws can affect protection!

## Product Overview

Front view

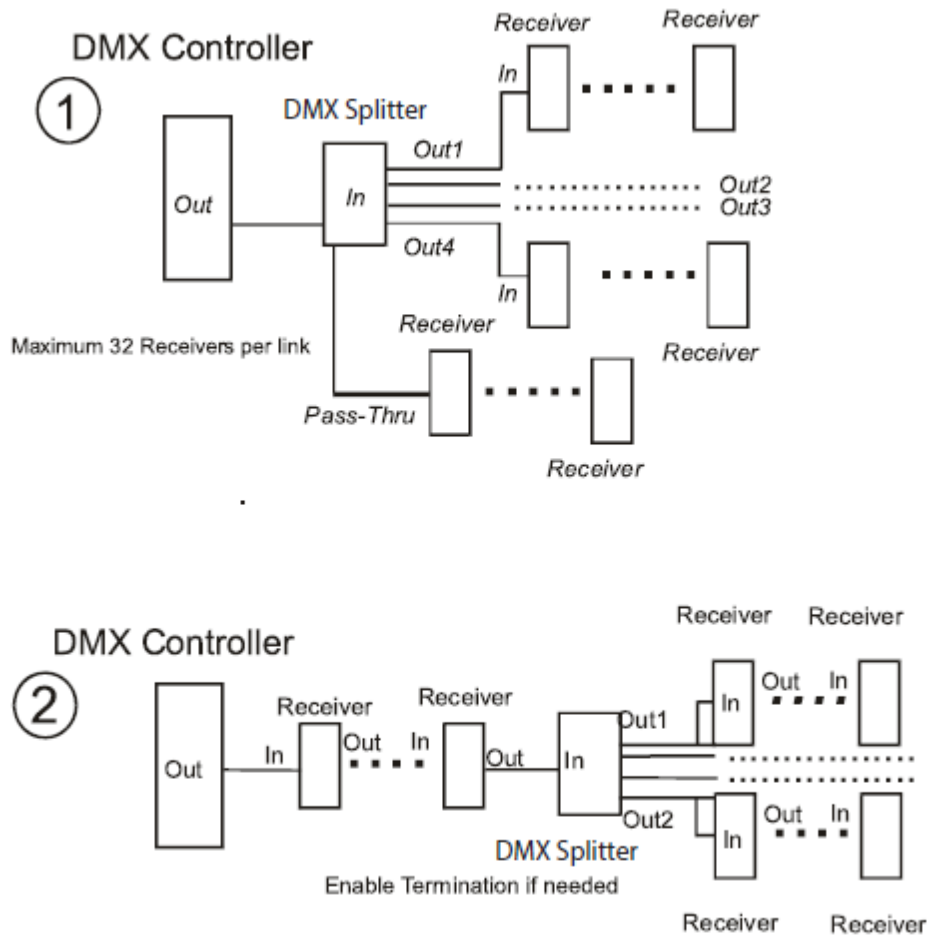


Rear view



## Connection Diagrams

1. Connect DMX Out from your DMX controller to DMX In of DMX SPLITTER 8R.
2. Use the 8 outputs to send DMX signal to your DMX fixtures.
3. A DMX splitter unit is required when DMX cable run is more than 100 meters or there are more than 32pcs DMX device in a line.



## LED indicators

<i>LED Status</i>	<i>Possible failure</i>
Power indicator is not lit up or dim while Signal in indicator and signal output are OK.	Power indicator fails. Check and replace it.
Both power indicator and signal indicator are not lit up. Also there is not signal output.	Open circuit between transformer and PCB. Check the 9V output from transformer to PCB.
Power indicator is OK. Signal indicator is not lit up while signal output is OK.	Signal indicator fails. Check and replace it.
Power indicator is OK. Signal indicator is not lit up and there is not signal output.	The 75176 chip on PCB fails. Check and replace it.

# General Information

## Replacing a fuse:

Always disconnect the fixture from main power before replacing a fuse. Use only the appropriate fuse, with the same type and rating. A fuse with different rating, can damage the fixture in case of failure.

## Risk of electric shock and / or fire:

The fixture must be earthed, supplied always with its nominal voltage and cleaned periodically from dust. For cleaning use only, a moist cloth. Never use liquids or force water. After cleaning, let the fixture dry before use.

### **IMPORTANT INFORMATION!**

In order to optimize the recovery and recycling of the materials that old appliances contain and reduce the impact on human health and the environment, ensure that this product is recycled at the end of its life.

