

10. Maintenance and cleaning

It is absolutely essential that the fixture is kept clean and that dust, dirt and smoke-fluid residues must not build up on or within the fixture. Otherwise, the fixture's light-output will be significantly reduced. Regular cleaning will not only ensure the maximum light-output, but will also allow the fixture to function reliably throughout its life. A soft lint-free cloth moistened with any good glass cleaning fluid is recommended, under no circumstances should alcohol or solvents be used!

DANGER !
Disconnect from the mains before starting any maintenance work

The front objective lens will require weekly cleaning as smoke-fluid tends to building up residues, reducing the light-output very quickly. The cooling-fans should be cleaned monthly.

The interior of the fixture should be cleaned at least annually using a vacuum-cleaner or an air-jet. Remove dust and dirt from the fans and cooling vents using a soft brush and vacuum-cleaner.

Important! Check the air filters periodically and clean before they become clogged!

Clean two air filters placed in the fixture's covers and two in the fixture base. Use a vacuum cleaner, compressed air or you can wash them and put back dry.

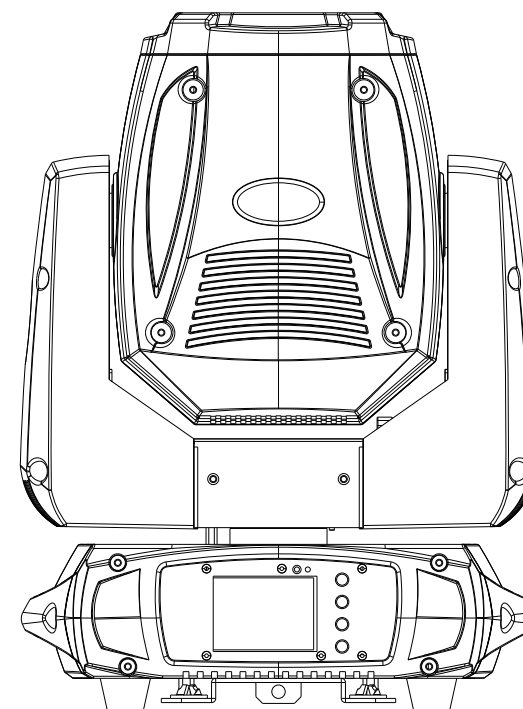
After replacing the air filters, reset the elapsed time counter in the menu "Information" (Information--->Air Filters--->Elapsed Time).

Replacing the fuse. Before replacing the fuse, unplug mains lead.

- 1) Remove the fuse holder on the rear panel of the base with a fitting screwdriver from the housing (anti-clockwise).
- 2) Remove the old fuse from the fuse holder.
- 3) Install the new fuse in the fuse holder (only the same type and rating).
- 4) Replace the fuseholder in the housing and fix it.



FOS SCORPIO SPOT



Version 1.0

USER MANUAL

- Be sure to read the USER MANUAL carefully before using this product.
- Be sure to keep the USER MANUAL properly for future needs.
- Use this product correctly when you can fully understand the User Manual

1.Safety instructions

Thank you for choosing our FOS Scorpio Spot. FOR YOUR OWN SAFETY, PLEASE READ THIS USER MANUAL CAREFULLY

BEFORE YOU INITIAL START - UP!

CAUTION!
*Be careful with your operations.
 With a high voltage you can suffer a dangerous electric shock when touching the wires!*

This device has left our premises in absolutely perfect condition. In order to maintain this condition and to ensure a safe operation, it is absolutely necessary for the user to follow the safety instructions and warning notes written in this manual.

CAUTION!
*Keep this device away from rain and moisture!
 Unplug mains lead before opening the housing!*

Important:

The manufacturer will not accept liability for any resulting damages caused by the non-observance of this manual or any unauthorized modification to the device.

Please consider that damages caused by manual modifications to the device are not subject to warranty.

During the operation the housing becomes hot). Allow the fixture to cool approximately 20 minutes prior to manipulate with it.

Make sure that the available voltage is not higher than stated on the rear panel.

WARNING! This unit does not contain an ON/OFF switch. Always disconnect power input cable to completely remove power from unit when not in use or before cleaning or servicing the fixture.

Make sure that the power-cord is never crimped or damaged by sharp edges. Check the device and the power-cord from time to time.

Always disconnect from the mains, when the device is not in use or before cleaning it. Only handle the power-cord by the plug. Never pull out the plug by tugging the power cord.

This device falls under protection class I. Therefore it is essential to connect the yellow/green conductor to earth.

The electric connection, repairs and servicing must be carried out by a qualified employee.

Do not connect this device to a dimmer pack.

Do not switch the fixture on and off in short intervals as this would reduce the lamp's life.

During the initial start-up some smoke or smell may arise. This is a normal process and does not necessarily mean that the device is defective.

Do not touch the device's housing bare hands during its operation (housing becomes hot)!

For replacement use lamps and fuses of same type and rating only.

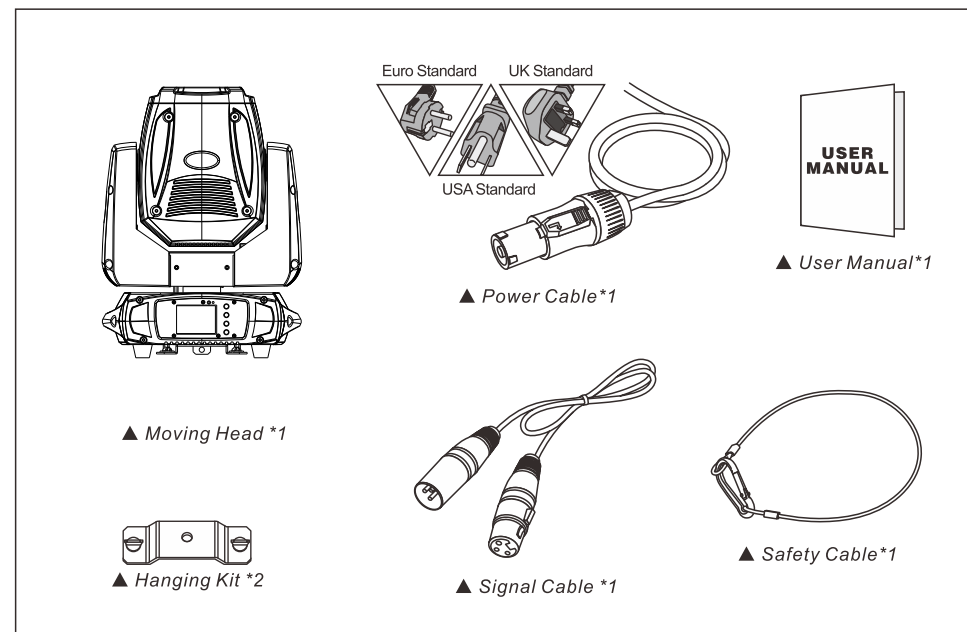
CAUTION ! EYE DAMAGES !
*Avoid looking directly into the light source
 (meant especially for epileptics) !*

12	12		Rrotating prism, Prism
		0..5	OFF
		6..127	ON
		128..189	Forwards rotation from fast to slow
		190..193	Prism rotation stop
		194..255	Forwards rotation from fast to slow
13	13		Speed pan/tilt
		0..225	max to min speed
		226..235	blackout by movement
		236..245	blackout by all wheel changing
		246..255	no function
14	14		Special function
		0..19	No function
		20..29	No function
		30..39	No function
		40..79	No function
		80..84	All Motor reset
		85..87	Scan motor reset
		88..90	Colors motor reset
		91..93	Gobo motor reset
		94..96	no function
		97..99	Other motor reset
		100..119	Internal program 1
		120..139	Internal program 2
		140..159	Internal program 3
160..179	Internal program 4		
180..199	Internal program 5		
200..219	Internal program 6		
220..239	Internal program 7		
240..255	Internal Sound program 1		
Vector Mode		Value	Function
	15		Color Time
		0..255	max to min speed
	16		Gobo Time
		0..255	max to min speed

7	7	Gobo1 rotation	
		0..3	no function
		4..127	Forwards gobo rotation from fast to slow
		128..131	Gobo rotation stop
		132..255	Backwards gobo rotation from slow to fast
8	8	Gobo wheel 2	
		0..14	Open
		15..29	gobo 1
		30..44	gobo 2
		45..39	gobo 3
		60..74	gobo 4
		75..89	gobo 5
		90..104	gobo 6
		105..119	gobo 7
		120..134	gobo 8
		135..144	Gobo 1 shake slow to fast
		145..154	Gobo 2 shake slow to fast
		155..164	Gobo 3 shake slow to fast
		165..174	Gobo 4 shake slow to fast
		175..184	Gobo 5 shake slow to fast
		185..194	Gobo 6 shake slow to fast
		195..204	Gobo 7 shake slow to fast
		205..214	Gobo 8 shake slow to fast
215..255	Rot. gobo wheel cont. rotation slow to fast		
9	9	Shutter	
		0..31	Shutter closed
		32..63	shutter open
		64..95	Strobe effect slow to fast
		96..127	shutter open
		128..159	Pulse-effect in sequences slow to fast
		160..191	shutter open
		192..223	Random strobe effect slow to fast
224..255	shutter open		
10	10	Dimmer	
		0..255	Dimmer 0%...100%
11	11	Focus	
		0..255	In(near) to out(far)

2.UNPACKING

The FOS Scorpio Spot adopts a 200W white LED lamp which features high brightness and stability. Please carefully unpack it when you receive the fixture and check whether it is damaged during the transportation. And please check whether the following items are included inside the box:



The FOS Scorpio Spot is made of a new type of high temperature strength of engineering plastics and cast aluminum casing with nice outlook . The fixture is designed and manufactured strictly following CE standards, complying with international standard DMX512 protocol. It's available independently controlled and linkable with each other for operation. And it is applicable for large-scale live performances, theater, studio, nightclubs and discos.

This manual covers the important information on installation and applications. Meanwhile, please keep this manual well for future needs.

3. TECHNICAL INFORMATION

SPECIFICATIONS:

- A 200W white LED lamp, 7500K
- 50000 hours life span
- Input Voltage: AC90-260V 50/60Hz
- Power Consumption: 235W
- Control Signal: DMX512, master-slave and sound activated or auto operation (8 built-in program)
- Control Channel: 14/16 DMX channels USITT DMX-512
- Dimensions: 307(D)*224(W)*418(H)mm
- Packing Dimensions: 380(D)*280(W)*505(H)mm
- Net Weight: 10.38kgs
- Gross Weight: 12.56kgs

FEATURES:

- Low power consumption
- Specific high precision glass optic system with 16° projection angle
- 2.5m-30m electric focus
- 3-Facet prism with variable speed and direction
- 0-100% Linear LED dimmer
- 25T/sec high speed LED shutter/strobe effect with variable speed
- Preset variable/random strobe and dimming pulse effect
- 2.4" TFT LCD display (320*240pix)
- POWERCON connector IN/OUT
- 3-Pin XLR connectors IN/OUT
- IP20 protection rating
- 55dB at 3'dB rating
- 2*1/4 turn fastening Omega clamp
- 1* Safety attachment point

MOVEMENT:

- 8/16 bit smooth and precise resolution for PAN/TILT movement
- 360°/540°/630° PAN and 90°/180°/270° TILT movement

COLORS:

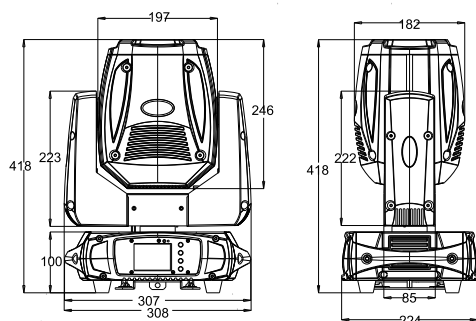
- 1 Color wheel with 7 colors plus open

GOBOS:

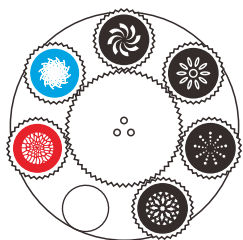
- 1 Static gobo wheel with 8 gobos plus open
- 1 Rotatable gobo wheel with 6 rotatable and interchangeable gobos plus open with speed adjustable, stream effect, dithering effect and rotatable clockwise or anticlockwise

FUNCTION:

- PAN/TILT inversion available
- Scan position memory, auto reposition after unexpected movement
- Improved optics and flat beam field
- DMX recorder and edit function integrated
- Variable direction rainbow effect with speed adjustable
- Fan cooling system
- Constant temperature readout and management function
- -35°C ~ 45°C max ambient temperature



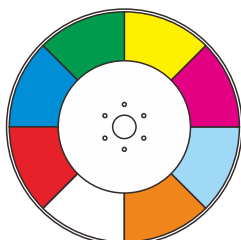
Rotating Gobo Wheel



Static Gobo Wheel



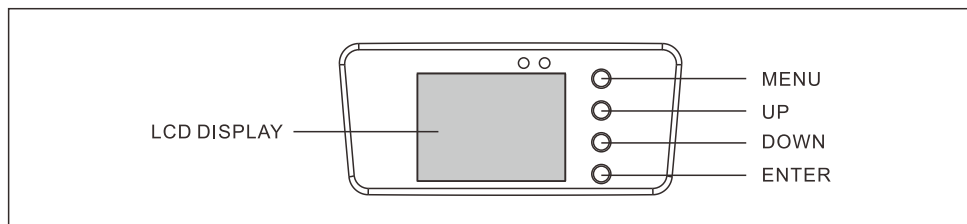
Color Wheel



9. DMX PROTOCOL

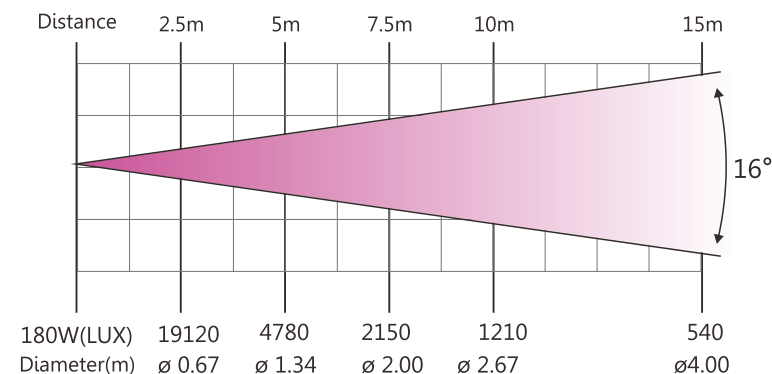
Mode/Channel		Value	Function
16b	De		
1	1	0..255	Pan PAN Movement
2	2	0..255	Pan-fine Fine control of Pan movement
3	3	0..255	Tilt Tilt Movement
4	4	0..255	Tile-fine Fine control of Tilt movement
5	5		Color wheel
		0..15	Open / white
		16..31	Color 1
		32..47	Color 2
		48..63	Color 3
		64..79	Color 4
		80..95	Color 5
		96..111	Color 6
		112..127	Color 7
		128..189	Forwards rainbow effect from fast to slow
		190-193	Color rotation stop
194..255	Backwards rainbow effect from slow to fast		
6	6		Gobo wheel 1
		0..9	Open
		10..19	gobo 1
		20..29	gobo 2
		30..39	gobo 3
		40..49	gobo 4
		50..59	gobo 5
		60..69	gobo 6
		70..89	Gobo 1 shake slow to fast
		90..109	Gobo 2 shake slow to fast
		110..129	Gobo 3 shake slow to fast
		130..149	Gobo 4 shake slow to fast
		150..169	Gobo 5 shake slow to fast
		170..189	Gobo 6 shake slow to fast
190..255	Rot. gobo wheel cont. rotation slow to fast		

8.MENU OPERATIONS



MENU		Description
Function Mode	Dmx Address	A001~AXXX DMX address setting
	Channel Mode	CH14 Standard mode
		CH16 Vector mode
	Auto Run	Internal Program1~8 : Master/Alone Auto Run
Music Control	Internal Program1~8 : Master/Alone Sound Control	
Option	Reset Default	Yes/No Reset Default
	Signal Set	Wire DMX Wire DMX
		Wireless DMX Wireless DMX
		Act WDMX&Out Act WDMX&Out
	Pan / Tilt	Reverse Pan (On/Off) Reverse Pan
		Reverse Tilt (On/Off) Reverse Tilt
		Select Pan 630°/540°/360° Pan Degree,default is 540°
	UI SET	Select Tilt 270°/180°/90° Tilt Degree,default is 270°
		Mic sensitivity 0~99% MIC Sensitivity Setting
		OFF Signal Mode (On/Off) OFF at original status and ON at reset status when no DMX signal
Half Color Wheel(On/Off) Open half color function (Default: off)		
Information	Temperature	XXX°C/°F Current Temperature
	Software Version	V1.0~V9.9 Software Version
Manual Control	Reset	Total Reset Total Reset
		Pan/Tilt Reset Pan/Tilt Reset
		Color Reset Color Reset
		Gobo Reset Gobo Reset
	The Others Reset The Others Reset	
Channel	PAN=XXX..... Channel Control	
Advanced (Access Code 088)	Calibration	PAN=XXX..... Calibration

4.PHOTOMETRICS DIAGRAM



5.OPERATION INSTRUCTIONS

- The FOS Scorpio Spot is for spot effect for on-site decoration purpose.
- Don't turn on the fixture if it's been through severe temperature difference like after transportation because it might damage the light due to the environment changes. So make sure to operate the fixture until it is in normal temperature.
- This light should be keep away from strong shaking during any transportation or movement.
- Don't pull up the light by only the head, or it might cause damages to the mechanical parts.
- Don't expose the fixture in overheat, moisture or environment with too much dust when installing it. And don't lay any power cables on the floor. Or it might cause electronic shock to the people.
- Make sure the installation place is in good safety condition before installing the fixture.
- Make sure to put the safety chain and check whether the screws are screwed properly when installing the fixture.
- Make sure the lens are in good condition.It's recommended to replace the units if there are any damages or severe scratch.
- Make sure the fixture is operated by qualified personnel who knows the fixture before using.
- Keep the original packages if any second shipment is needed.
- Don't try to change the fixtures without any instruction by the manufacturer or the appointed repairing agencies.
- It is not in warranty range if there are any malfunctions from not following the user manual to operate or any illegal operation, like shock short circuit, electronic shock , lamp broke, etc.

6. INSTALLATIONS

Cautions:

For added protection mount the fixtures in areas outside walking paths, seating areas, or in areas where the fixture might be reached by unauthorized personnel.

Before mounting the fixture to any surface, make sure that the installation area can hold a minimum point load of 10 times the device's weight.

Fixture installation must always be secured with a secondary safety attachment, such as an appropriate safety cable.

Never stand directly below the device when mounting, removing, or servicing the fixture.

from a ceiling, or set on a flat level surface (see illustration below). Be sure this fixture is kept at least 0.5m (1.5 f t) away from any flammable materials (decoration etc.).

Always use and install the supplied safety cable as a safety measure to prevent accidental damage and/or injury in the event the clamp fails.

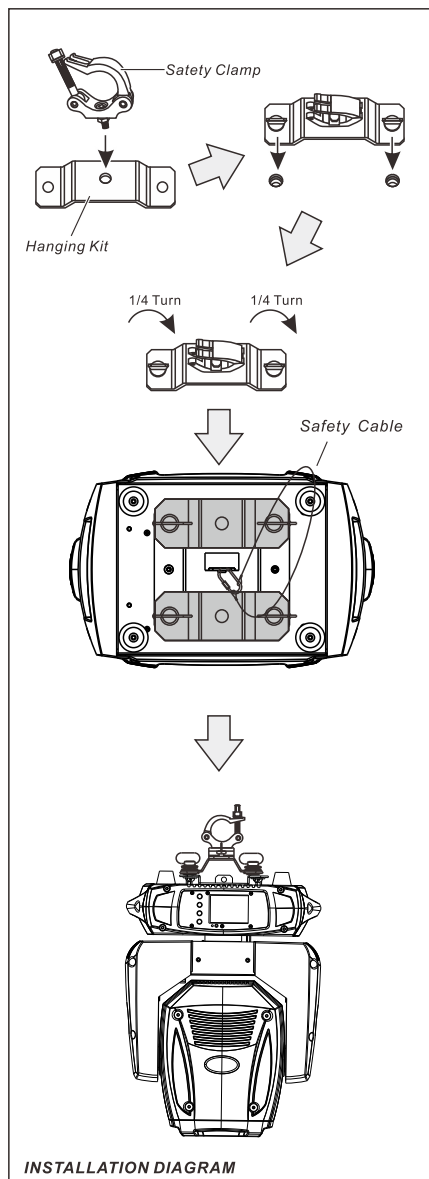
Mounting points:

Overhead mounting requires extensive experience, including amongst others calculating working load limits, a fine knowledge of the installation material being used, and periodic safety inspection of all installation material and the fixture. If you lack these qualifications, do not attempt the installation yourself. Improper installation can result in bodily injury.

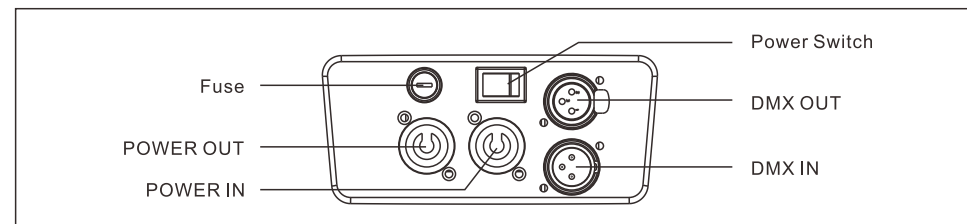
Be sure to complete all rigging and installation procedures before connecting the main power cord to the appropriate wall outlet.

Clamp Mounting:

FOS Scorpio Spot provides a unique mounting bracket assembly that integrates the bottom of the base, and the safety cable rigging point in one unit (see the illustration below). When mounting this fixture to truss be sure to secure an appropriately rated clamp to the included omega bracket using a M10 screw fitted through the center hole of the "Hanging Kit". As an added safety measure be sure to be attached at least one properly rated safety cable to the fixture using one of the safety cable rigging points integrated in the base assembly.



7. CONTROL CONNECTION



Connect the provided XLR cable to the female 3-pin XLR output of your controller and the other side to the male 3-pin XLR input of the moving head. You can chain multiple Moving head together through serial linking. The cable needed should be two core, screened cable with XLR input and output connectors. Please refer to the diagram below. DMX-512 connection with DMX terminator.

For installations where the DMX cable has to run a long distance or is in an electrically noisy environment, such as in a discotheque, it is recommended to use a DMX terminator. This helps in preventing corruption of the digital control signal by electrical noise. The DMX terminator is simply an XLR plug with a 33 resistor connected between pins 2 and 3, which is then plugged into the output XLR socket of the last fixture in the chain. Please see illustrations below.

