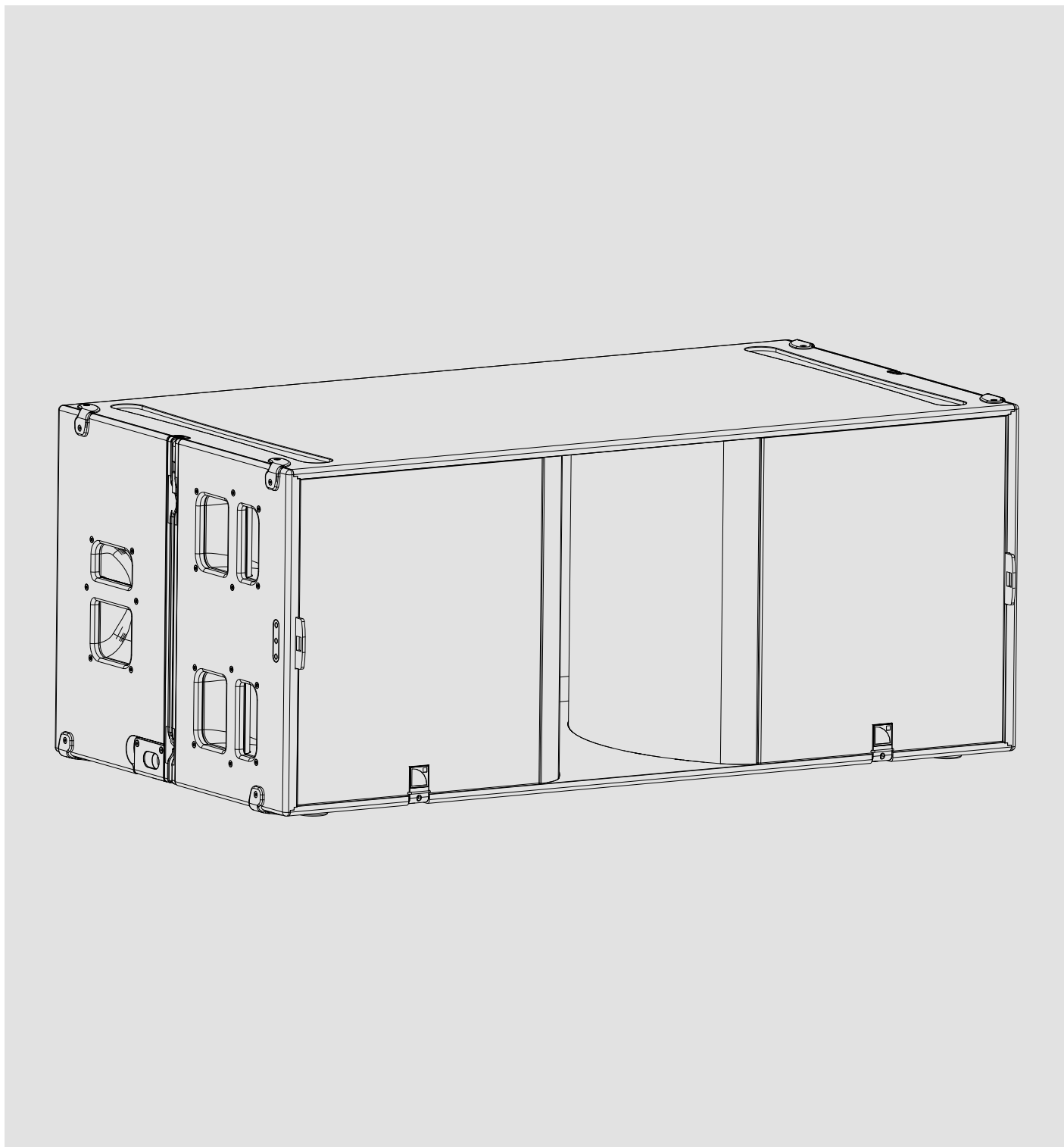


KS28

user manual (EN)



Document reference: KS28 user manual (EN) version 1.0

Distribution date: April 4, 2016

© 2016 L-Acoustics. All rights reserved.









No part of this publication may be reproduced or transmitted in any form or by any means without the express written consent of the publisher.

Contents

Safety.....	4
Instructions.....	4
Symbols.....	4
Welcome.....	5
KS28 reference subwoofer.....	5
System components.....	6
Loudspeaker configurations.....	7
KS28 in standard configuration.....	7
KS28 in cardioid configuration.....	8
Loudspeaker connection.....	9
Connectors.....	9
Connection to LA12X.....	10
Preset description.....	12
Recommendation for speaker cables.....	13
Maintenance.....	14
Repair kits.....	14
KR SECUGRL.....	14
G03229.....	14
Disassembly and Reassembly procedures.....	15
D/R - GRILL.....	16
D/R - LF LOUDSPEAKER.....	19
Illustrations.....	22
Loudspeaker cables.....	22
KS28 specifications.....	23




Safety

Instructions

-  **Inspect the product before operation.**
If any sign of defect or damage is detected, immediately withdraw the product from use for maintenance.
-  **Never incorporate equipment or accessories not approved by L-Acoustics.**
-  **Read all the related PRODUCT INFORMATION documents shipped with the products before exploiting the system.**
-  **Do not store the product on an unstable cart, stand, tripod, bracket, or table.**
-  **Beware of sound levels.**
Do not stay within close proximity of loudspeakers in operation.
Loudspeaker systems are capable of producing very high sound pressure levels (SPL) which can instantaneously lead to permanent hearing damage to performers, production crew and audience members. Hearing damage can also occur at moderate level with prolonged exposure to sound.
Check the applicable laws and regulations relating to maximum sound levels and exposure times.
-  **Read the RIGGING MANUAL before installing the system.**
Use the rigging accessories described in the rigging manual and follow the associated procedures.
Read the maintenance section of this document before servicing the product.
-  **Do not expose the product to extreme conditions.**
Do not expose the product to rain or sea spray.
Do not expose the product to moisture (mist, steam, humidity, condensation...) or excessive heat (direct sun, radiator...) for a long period of time.
-  **Contact L-Acoustics for advanced maintenance.**
Refer to the product warranty.

Symbols

The following symbols are used in this document:

-  This symbol indicates a potential risk of harm to an individual or damage to the product.
It can also notify the user about instructions that must be strictly followed to ensure safe installation or operation of the product.
-  This symbol notifies the user about instructions that must be strictly followed to ensure proper installation or operation of the product.
-  This symbol notifies the user about complementary information or optional instructions.

Welcome

Thank you for purchasing the L-Acoustics KS28.

This document contains essential information on using the system properly. Carefully read this document in order to become familiar with the system.

As part of a continuous evolution of techniques and standards, L-Acoustics reserves the right to change the specifications of its products and the content of its document without prior notice. Please check www.l-acoustics.com on a regular basis to download the latest document and software updates.

KS28 reference subwoofer

The KS28 is a reference subwoofer designed to extend the frequency response of large format systems. The KS28 features two high excursion, 18" direct radiating transducers mounted in a bass-reflex tuned enclosure. The optimized L-Vents laminar vented port reduce turbulence and port noise at high levels while also increasing LF efficiency.

The KS28 operates from 25 Hz. The excursion capability of the transducer, combined with L-Vents contributes to deliver a high SPL, with low distortion. The KS28 can offer standard or cardioid directivity, by combining physical deployment and the suitable preset.

The KS28 is the first L-Acoustics enclosure to fully utilize the LA12X amplified controller power. The LA12X ensures advanced crossover functions, linearization and L-Drive protection of the transducers. Its onboard library offers standard and cardioid presets, each available with two low-pass filters to accommodate various coupling conditions and LF contour requirements.

The KS28 cabinet is assembled with birch and beech plywood panels. The use of panels optimized for thickness and combined with stiffeners gives the KS28 maximized internal volume, mechanical integrity and a low weight of 79 kg. It features six ergonomic handles for a solid grip and efficient handling. Bottom and side runners ensure safe stacking. A two-point suspension system is flush-mounted into the cabinet.

The KS28 is the ideal companion to large format systems in stacked or flown deployments. KS28 can significantly boost the LF extension and contour of line sources.

The KS28 can be stacked horizontally or vertically in standard or cardioid arrangements. With KS28-BUMP, KS28 can be flown in vertical arrays of standard or cardioid arrangements, up to 16 units.

System components

Loudspeaker enclosures

KS28 flyable subwoofer 2 × 18"

Powering and driving system

LA12X amplified controller with DSP, preset library and networking capabilities

LA-RAK II touring rack containing three LA12X, LA-POWER II for power distribution and LA-PANEL II for audio and network distribution

L-Case protection case for L-Acoustics 2U electronics



Refer to the LA12X user manual for operating instructions.

Loudspeaker cables

SP cables 4-point speakON loudspeaker cables (4 mm² gauge)
 SP cables come in four sizes: SP.7 (0.7 m/2.3 ft), SP5 (5 m/16.4 ft), SP10 (10 m/32.8 ft) and SP25 (25 m/82 ft)

SP-Y1 breakout cable for two passive enclosures (2.5 mm² gauge) provided with a CC4FP adapter
 4-point speakON to 2 × 2-point speakON

DO cables 8-point PA-COM loudspeaker cables (4 mm² gauge)
 DO cables come in three sizes: DO.7 (0.7 m/2.3 ft), DO10 (10 m/32.8 ft) and DO25 (25 m/82 ft)

DOSUB-LA8 breakout cable for four passive enclosures (4 mm² gauge)
 8-point PA-COM to 4 × 2-point speakON

DO3WFILL breakout cable for one 2-way active enclosure and two passive enclosures (4 mm² gauge)
 8-point PA-COM to 1 × 4-point speakON and 2 × 2-point speakON



Information about the connection of the enclosures to the LA amplifiers is given in this document.

Refer to the LA12X user manual for detailed instructions about the whole cabling scheme, including modulation cables and network.

Rigging elements



Rigging elements or procedures are not presented in this document.

Refer to the KS28 rigging manual.

Software applications

Soundvision 3D acoustical and mechanical modeling software

LA Network Manager software for remote control and monitoring of amplified controllers



Refer to the **LA Network Manager video tutorial**.

Refer to the **Soundvision** help.

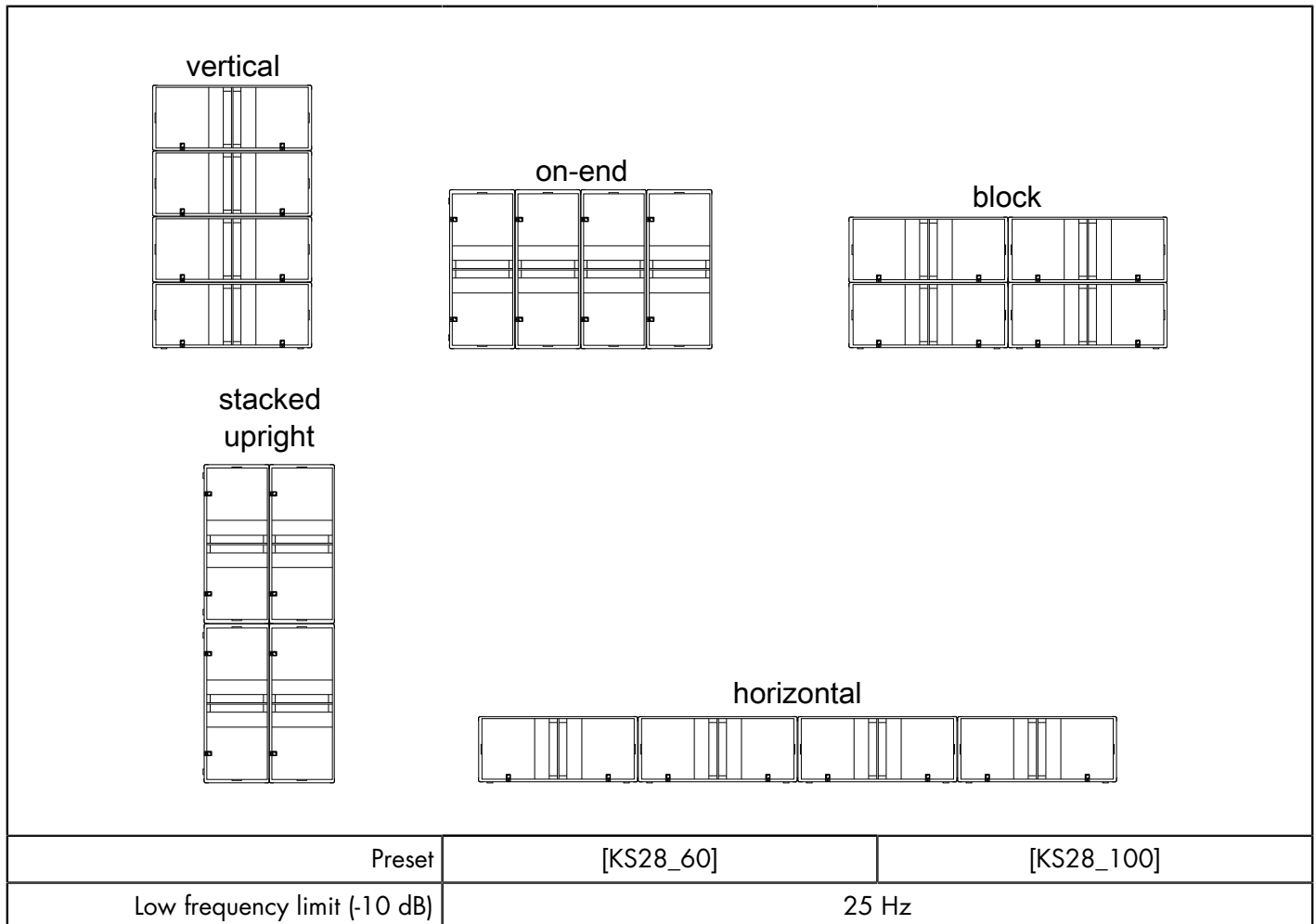
Loudspeaker configurations

KS28 in standard configuration

Deployed in a standard configuration, a KS28 system operates with an omnidirectional directivity pattern over the nominal bandwidth of the KS28 enclosure.

The [KS28_60] and [KS28_100] factory presets provide the subwoofer system with an upper frequency limit at 60 Hz and 100 Hz respectively in order to optimize the acoustic coupling with a main full-range system.

The KS28 subwoofers can only be driven by the LA12X amplified controller.



! Delay values

When combining a line source with subwoofers, delays may have to be added to the presets. Refer to the Preset Guide to obtain the pre-alignment delay values.

! Grouping subwoofers

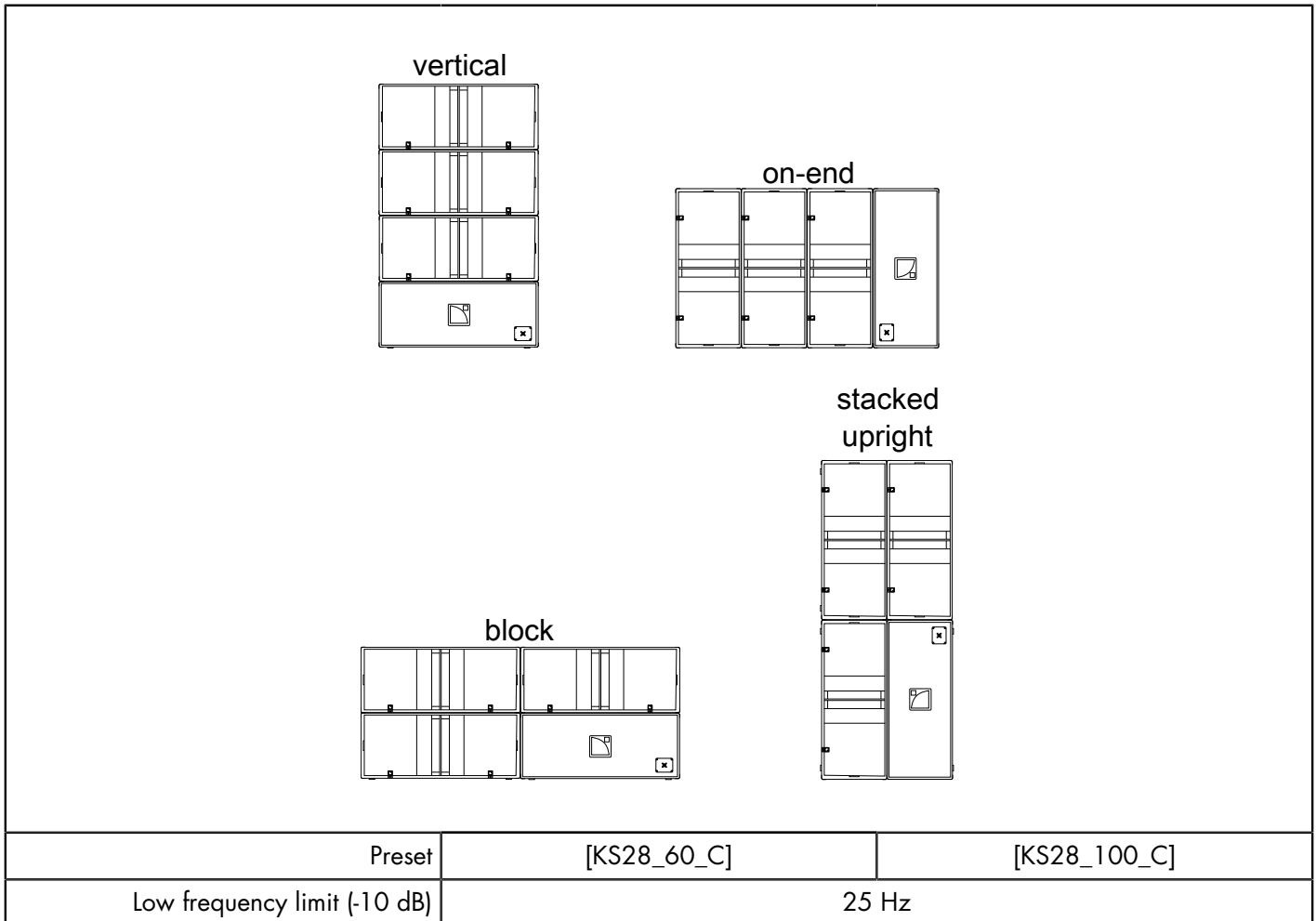
Place the subwoofer enclosures side by side. If not possible, the maximum distance between two adjacent acoustic centers must be 2.8 m or 1.7 m if the upper frequency limit of the subwoofer system is at 60 Hz or 100 Hz, respectively.

KS28 in cardioid configuration

Deployed in a cardioid configuration, a KS28 system produces a rear SPL rejection. The deployment consists of an array of four KS28 with one reversed element, i.e. turned towards the rear. Refer to the **Cardioid Configurations** technical bulletin for more information.

The [KS28_60_C] and [KS28_100_C] factory presets provide the subwoofer system with an upper frequency limit at 60 Hz and 100 Hz respectively in order to optimize the acoustic coupling with a main full-range system.

The KS28 subwoofers can only be driven by the LA12X amplified controller.



! Delay values

When combining a line source with subwoofers, delays may have to be added to the presets. Refer to the Preset Guide to obtain the pre-alignment delay values.

! Grouping subwoofers

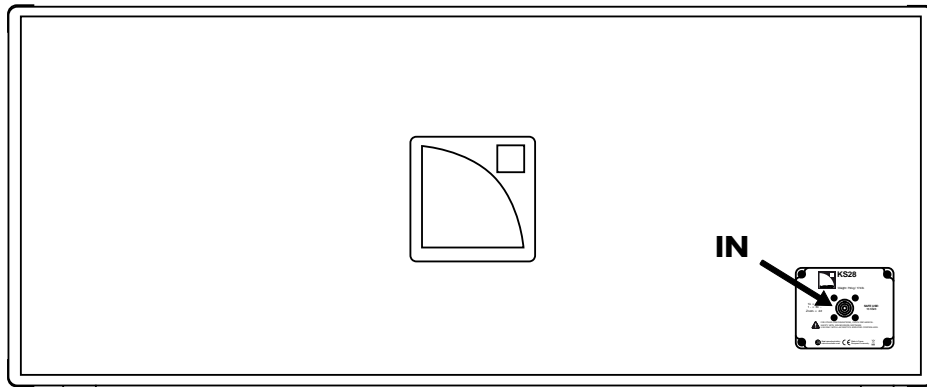
Place the subwoofer enclosures side by side. If not possible, the maximum distance between two adjacent acoustic centers must be 2.8 m or 1.7 m if the upper frequency limit of the subwoofer system is at 60 Hz or 100 Hz, respectively.

Loudspeaker connection

Connectors

The KS28 is equipped with one 4-point speakON connector.

KS28



Internal pinout for L-ACOUSTICS subwoofers

speakON points	1 +	1 -	2 +	2 -
Transducer connectors	LF +	LF -	Not linked	Not linked

Connection to LA12X

Maximum number of enclosures per LA12X

enclosure	max enclosures in parallel	max enclosures per controller
KS28	1	4

Impedance load

KS28

1 enclosure: 4 Ω

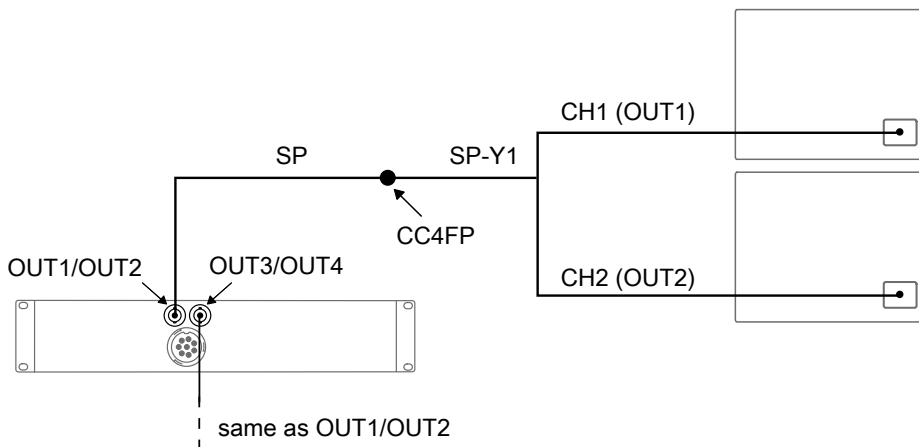
Connecting subwoofers



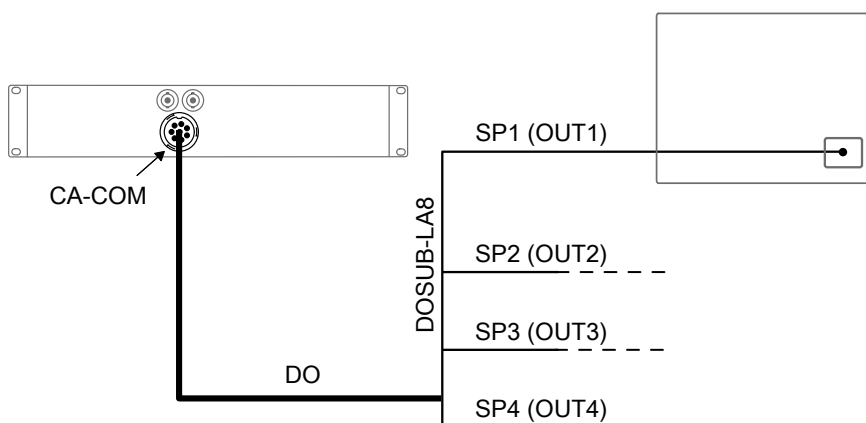
Cardioid configuration

Connect the reversed subwoofer(s) to OUT 1 to use the cardioid preset.

Subwoofer on speakON output - SP + SP-Y1

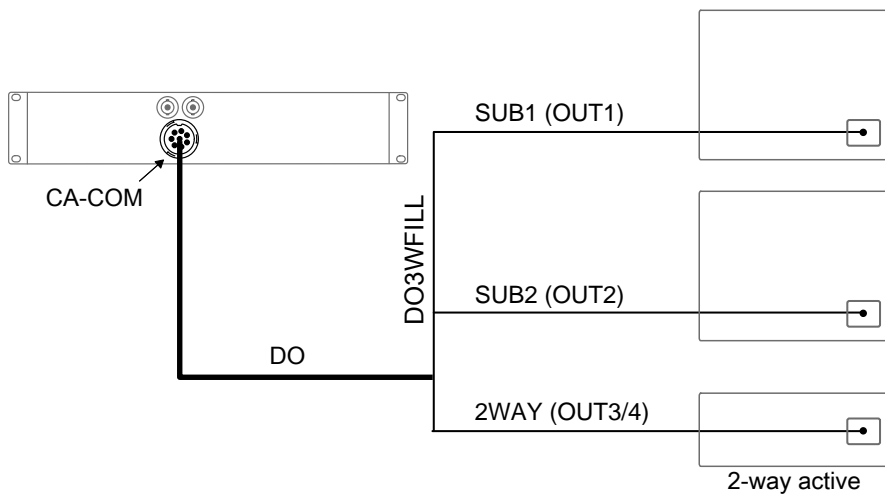


Subwoofer on CA-COM output - DO + DOSUB-LA8



Connecting a 2-way active enclosure with subwoofers

2-way active enclosure and subwoofers on CA-COM output - DO + DO3WFILL



Preset description

[KS28_60] [KS28_100]

outputs	channels	routing	gain	delay	polarity	mute
OUT 1	SB	IN A	0 dB	0 ms	+	ON
OUT 2	SB	IN A	0 dB	0 ms	+	ON
OUT 3	SB	IN A	0 dB	0 ms	+	ON
OUT 4	SB	IN A	0 dB	0 ms	+	ON

[KS28_60_C] [KS28_100_C]

loudspeaker elements	outputs	channels	routing	gain	delay	polarity	mute
SR	OUT 1	SR	IN A	0 dB	0 ms	+	ON
SB	OUT 2	SB					ON
SB	OUT 3	SB					ON
SB	OUT 4	SB					ON

Recommendation for speaker cables

Follow the recommended maximum length for loudspeaker cables to ensure minimal SPL attenuation.



Cable quality and resistance

Only use high-quality fully insulated speaker cables made of stranded copper wire.

Use cables with a gauge offering low resistance per unit length and keep the cables as short as possible.

The table below provides the recommended maximum length for loudspeaker cables depending on the cable gauge and on the impedance load connected to the amplifier.

cable gauge			recommended maximum length					
			8 Ω load		4 Ω load		2.7 Ω load	
mm ²	SWG	AWG	m	ft	m	ft	m	ft
2.5	15	13	30	100	15	50	10	33
4	13	11	50	160	25	80	17	53
6	11	9	74	240	37	120	25	80

For your installation projects, you can use the more detailed L-ACOUSTICS calculation tool to evaluate cable length and gauge based on the type and number of enclosures connected. The calculation tool is available on our website:

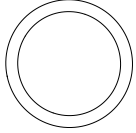
<http://www.l-acoustics.com/installation-outils-de-calcul-1367.html>

Maintenance

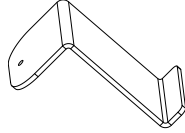
Repair kits

KR SECUGRL

Kit safety O-rings for front grill



CP SECUGRL

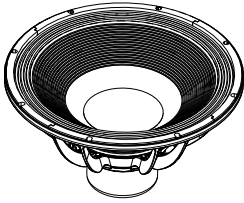


MC OUTGRL

code	description	qty
CP SECUGRL	grill safety O-ring	100
MC OUTGRL	grill safety tool	1

G03229

KR 18" speaker



17545

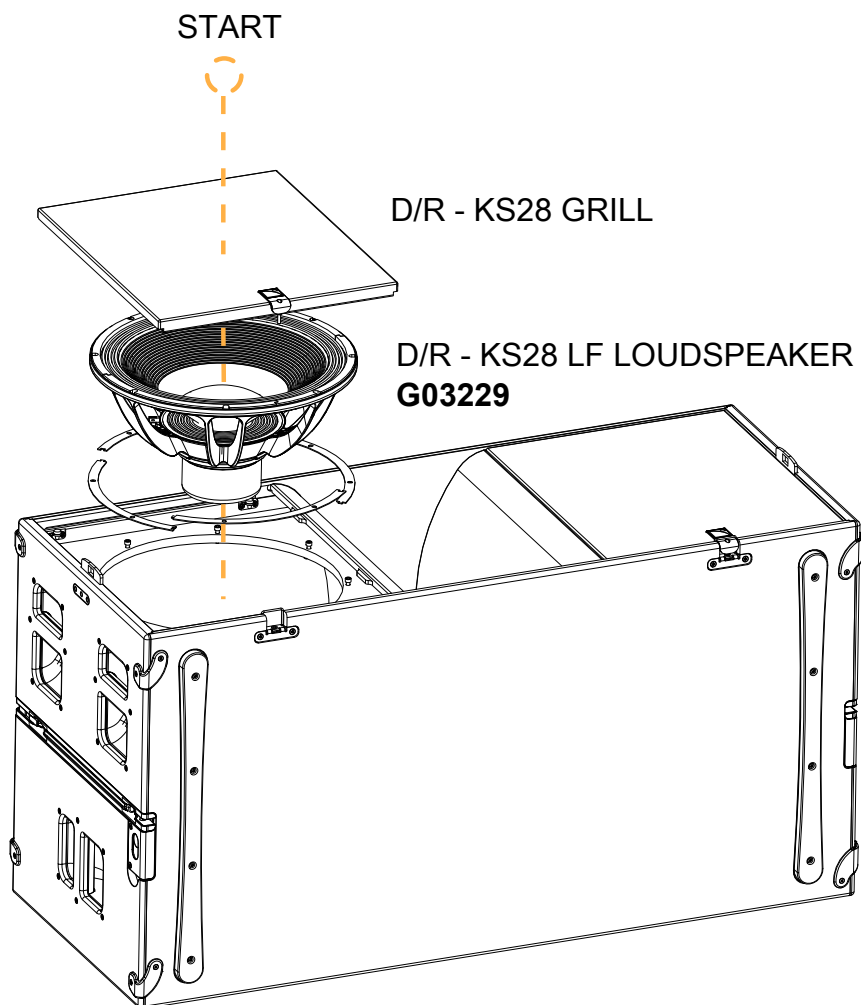


CV TC630I-2

code	description	qty
17545	18" speaker - 8 ohms	1
CV TC630I-2	M6x30 Tuflok coated hex socket head cap screw	8

Disassembly and Reassembly procedures

In order to operate, follow the order outlined here.



D/R - GRILL

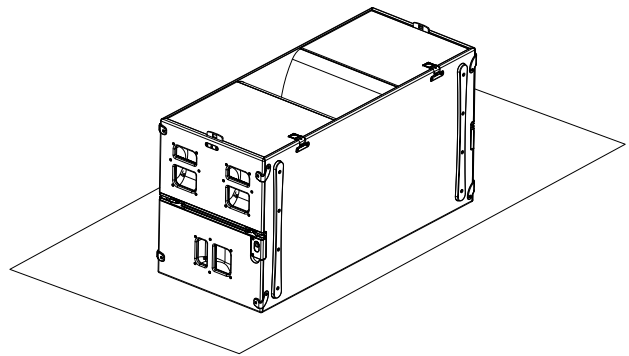
How to remove and reassemble the KS28 grill.

Tools

Name	Reference	Distributor
electric screwdriver with torque selector	-	-
5 mm hex bit	EH.605	
MC OUTGRL (provided)	-	-

Pre-requisite

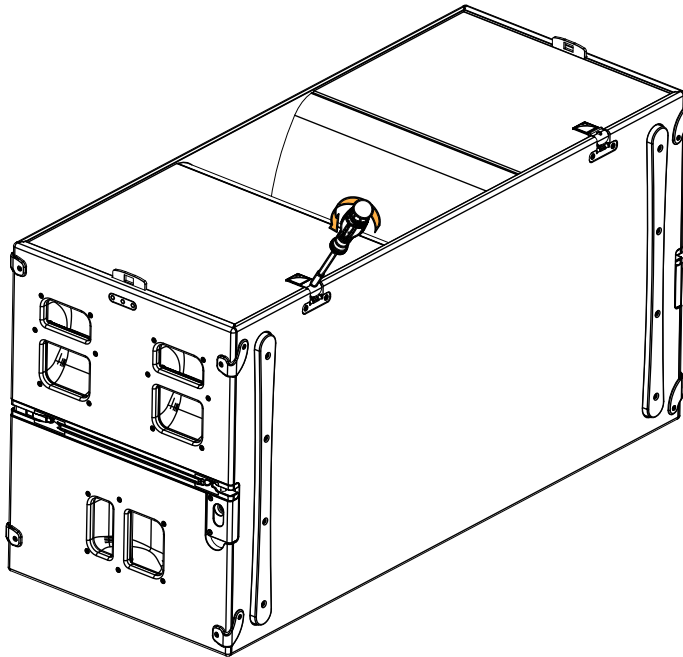
The enclosure is placed on its rear face, as illustrated.



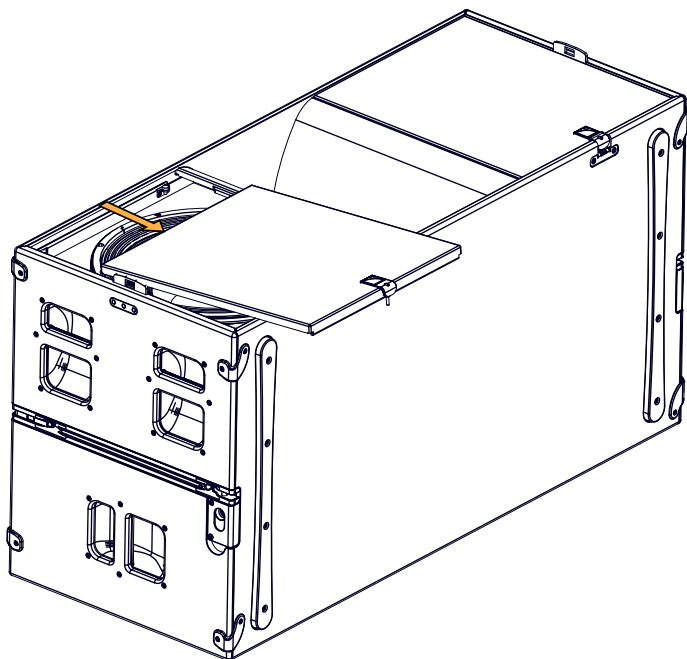
Disassembly

Procedure

1. Loosen the captive grill screw.
Use the 5 mm hex bit.



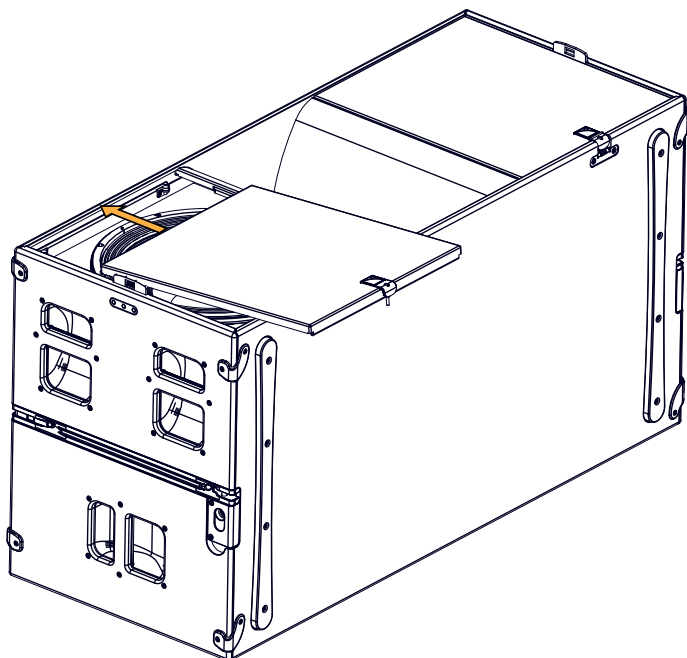
2. Slide the grill to remove it.
If necessary, pull down the safety O-ring.



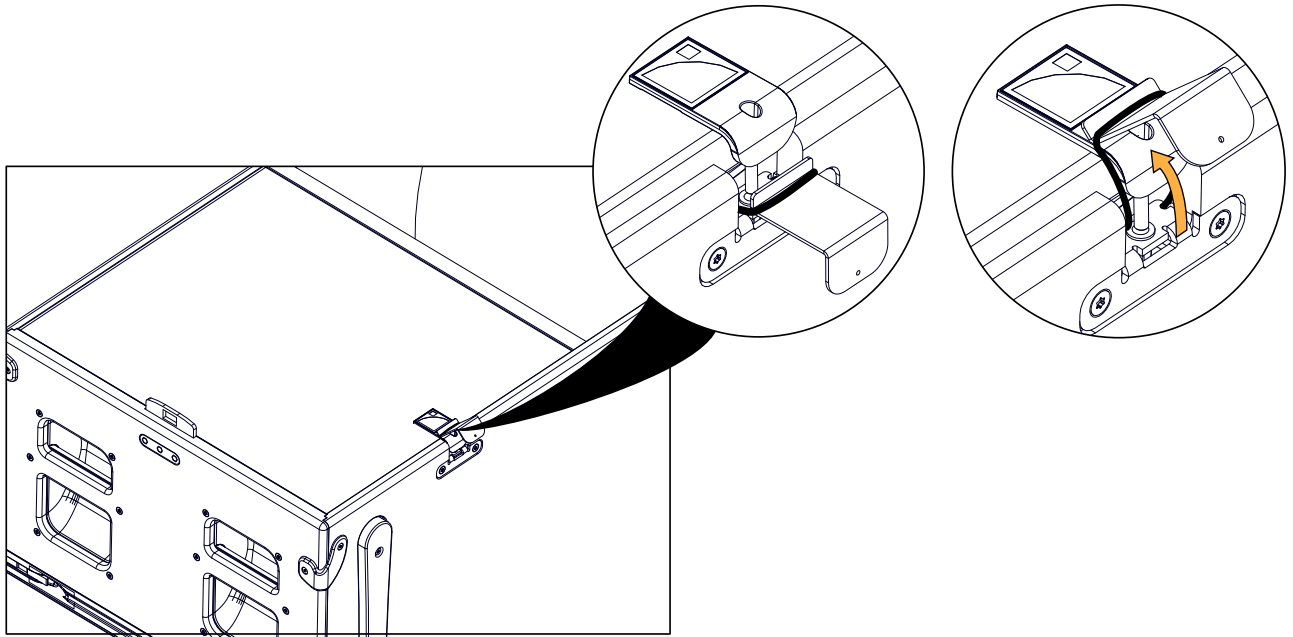
Reassembly

Procedure

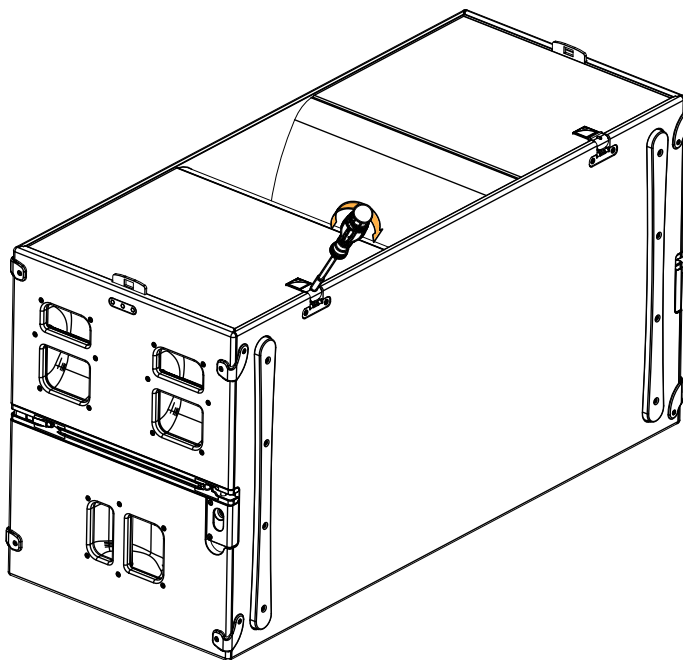
1. Position the grill starting with the top.



2. With the MC OUTGRL, stretch the O-ring and pull it above the captive screw.



3. Secure the grill with the captive screw.
Use the 5 mm hex bit and set the torque to 3 Nm.



D/R - LF LOUDSPEAKER

How to remove and replace the KS28 LF speaker.

Tools

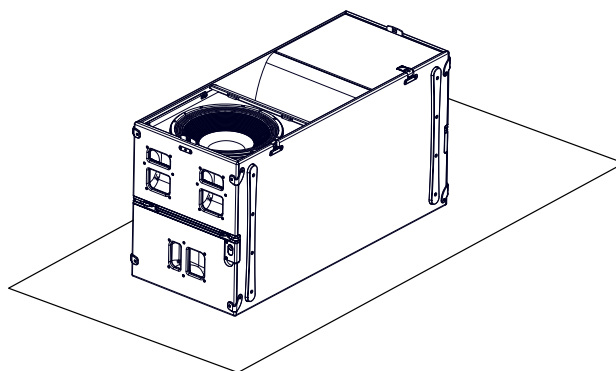
Name	Reference	Distributor
electric screwdriver with torque selector	-	-
5 mm hex bit	EH.605	FACOM

Pre-requisite

Grill disassembled.

See [GRILL](#) (p.16).

The enclosure is placed on its rear face, as illustrated.

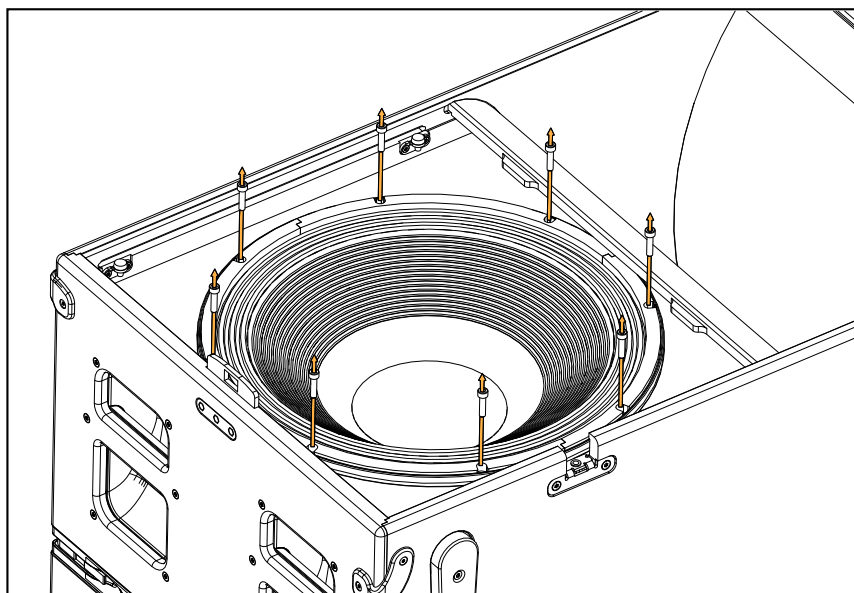


Disassembly

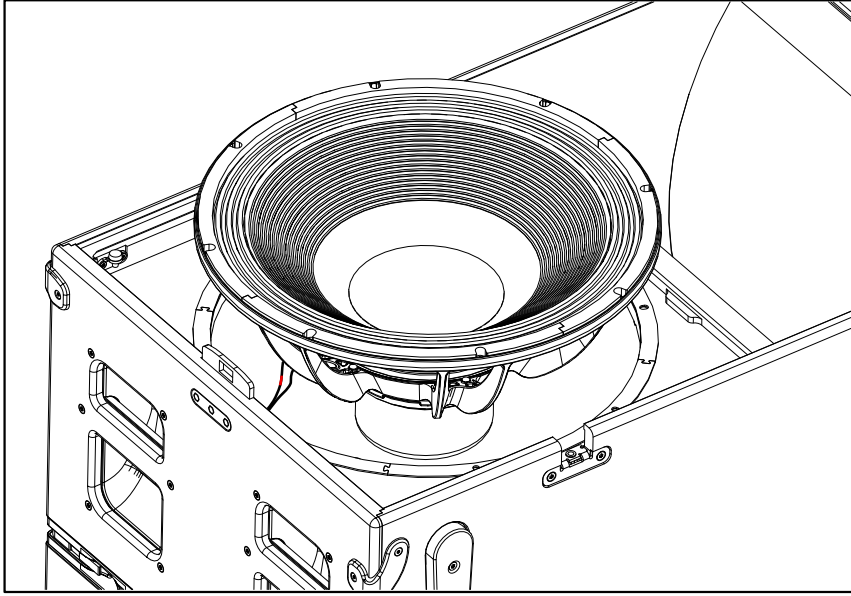
Procedure

1. Remove the screws securing the speaker.

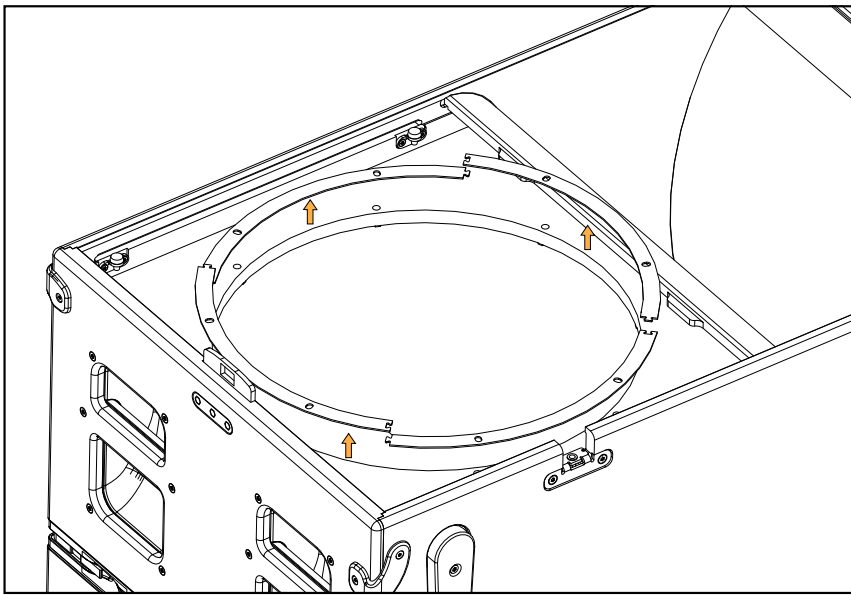
Use the 5 mm hex bit.



2. Disconnect the cables and carefully remove the loudspeaker.



3. Remove the loudspeaker gasket.



Reassembly

About this task

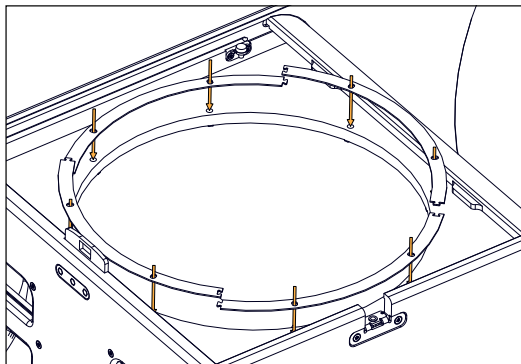


For safety reasons, always use the new screws and spare parts provided in the KR.

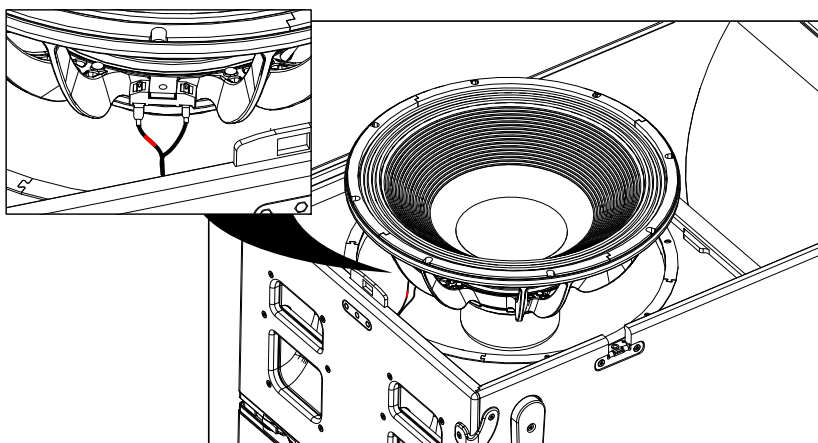
Procedure

1. Stick the gasket on the cabinet.

Use the screw inserts as reference points.

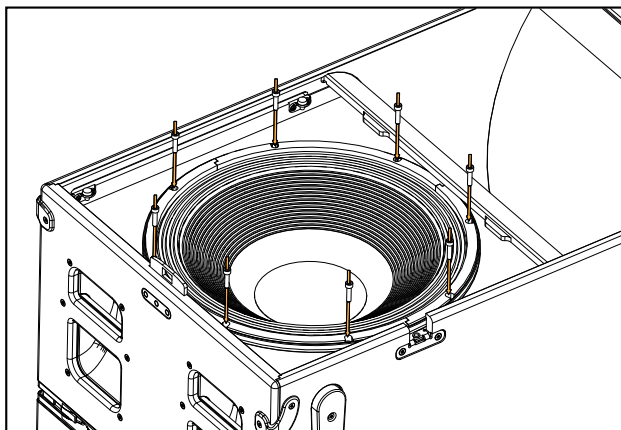


2. Position the loudspeaker and connect the loudspeaker cables.



3. Secure the loudspeaker with the CV TC630I-2 screws.

Use the 5 mm hex bit and set the torque to 5 Nm.



Illustrations

Loudspeaker cables



SP.7

4-point speakON loudspeaker cable (0.7 m / 2.3 ft)



SP5

4-point speakON loudspeaker cable (5 m / 16.4 ft)



SP10

4-point speakON loudspeaker cable (10 m / 32.8 ft)



SP25

4-point speakON loudspeaker cable (25 m / 82 ft)



DO.7

8-point PA-COM loudspeaker cable (0.7 m / 2.3 ft)



DO10

8-point PA-COM loudspeaker cable (10 m / 32.8 ft)



DO25

8-point PA-COM loudspeaker cable (25 m / 82 ft)



DO3WFILL

breakout cable for one 2-way active enclosure and two passive enclosures



DOSUB-LA8

breakout cable for four passive enclosures



SP-Y1

breakout cable for two passive enclosures

KS28 specifications

Description	flyable subwoofer 2 x 18", amplified by LA12X
Low frequency limit (-10 dB)	25 Hz ([KS28_100])
Maximum SPL¹	143 dB ([KS28_100])
Directivity	standard or cardioid
Transducers	2 x 18" neodymium, aluminium die cast basket
Acoustical load	bass-reflex, L-Vents
Nominal impedance	4 Ω
Connectors	4-point speakON
Rigging and handling	flush-fitting 2-point rigging system 6 ergonomic handles 2 ground runners 8 side runners
Weight (net)	79 kg / 174 lb
Cabinet	first grade Baltic beech and birch plywood
Front	steel grill with anti-corrosion coating acoustically neutral 3D fabric
Rigging components	high grade steel
Finish	dark grey brown Pantone 426C

¹ Peak level at 1 m under half space conditions using pink noise with crest factor 4 (preset specified in brackets).

KS28 dimensions

