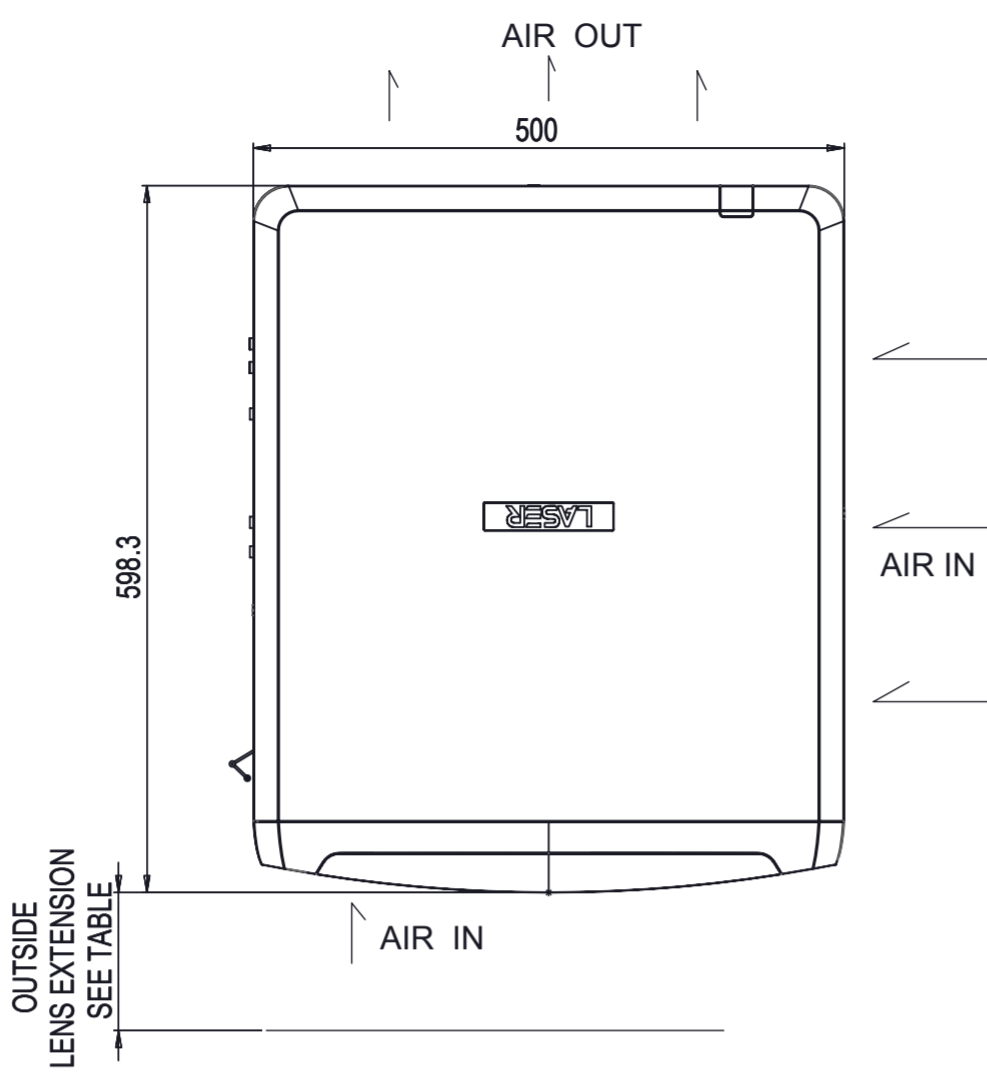


1 2 3 4 5 6 7 8 9

IF IN DOUBT, ASK.



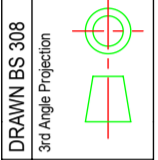
High Brightness Lenses (F# 1.7) for High Brightness Version of E-Vision Laser 4K Projector

Lens Type	Lens Description	Part Number	Outside Edge Lens Extension	Inside Edge Lens Extension	Remarks
Ultra Wide Zoom lens	Lens E-Vision 0.74 - 0.93:1 Zoom on 4K-UHD	115-339	41.1mm	46.1mm	Has manual curvature correction on outer ring
Wide Fix Lens	Lens E-Vision 0.76:1 Fixed on 4KUHD	112-499	11.7mm	16.7mm	
Wide Zoom Lens	Lens E-Vision 1.24 - 1.78:1 Zoom on 4K-UHD	112-500	18.2mm	23.2mm	
Standard Lens	Lens E-Vision 1.71 - 2.25:1 Zoom on 4K-UHD	112-501	-7.6mm	-2.6mm	
Semi Long Zoom Lens	Lens E-Vision 2.2 - 3.67:1 Zoom on 4K-UHD	112-502	11.6mm	16.6mm	
long Zoom1 Lens	Lens E-Vision 3.54 - 5.36:1 Zoom on 4K-UHD	112-503	28.4mm	33.4mm	
Long Zoom2 Lens	Lens E-Vision 5.24 - 8.27:1 Zoom on 4K-UHD	112-504	74mm	79mm	
Ultra Short Throw Lens	Lens E-Vision 0.377 : 1 on 4KUHD	117-341B	274.4mm	279.4mm	Requires supporting Bracket (included)

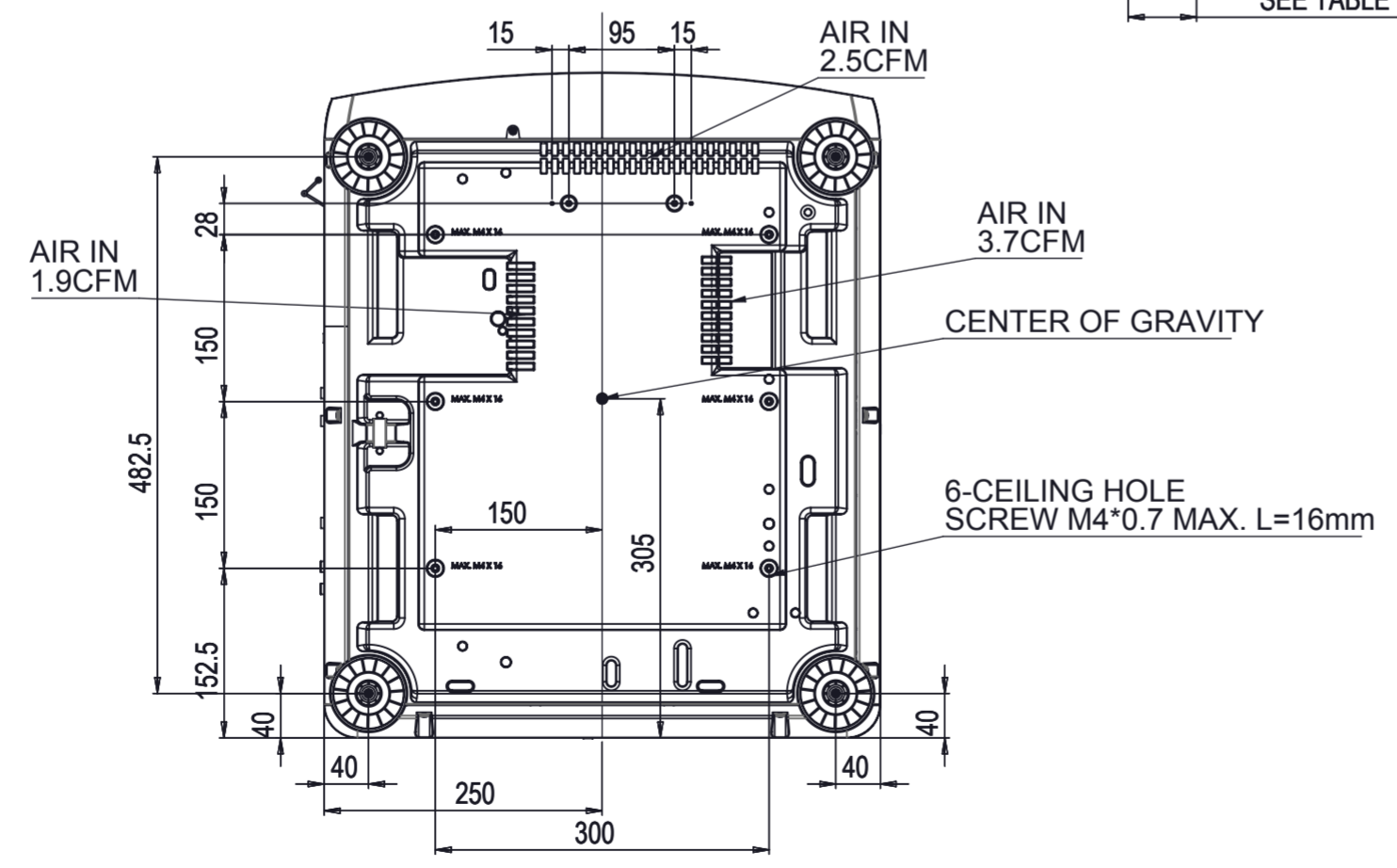
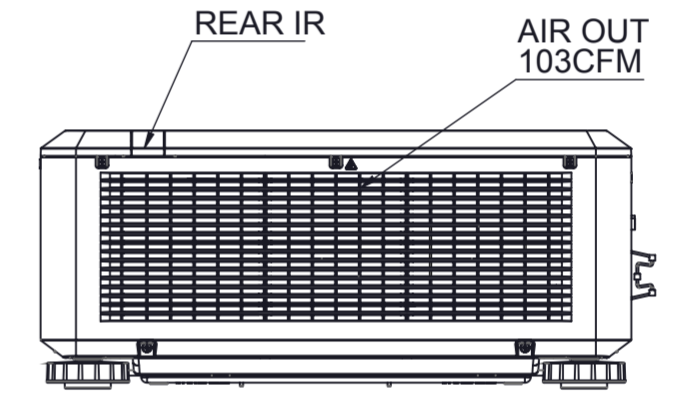
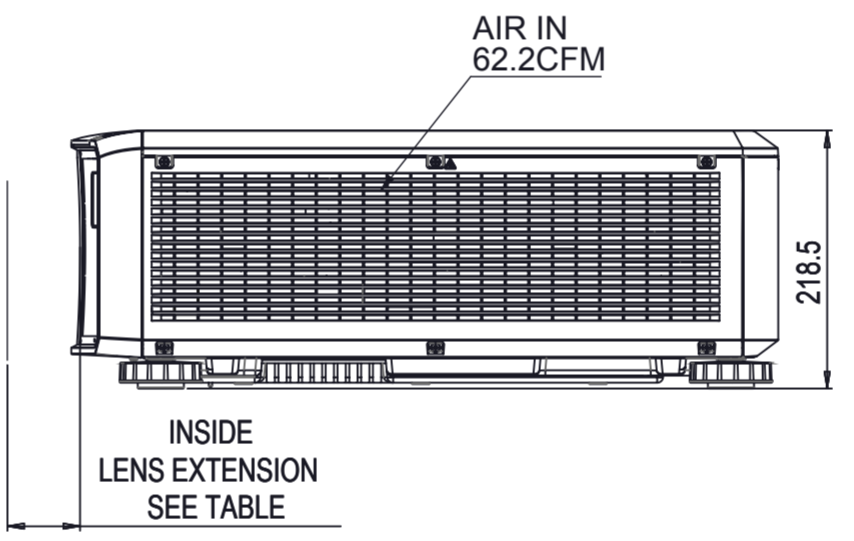
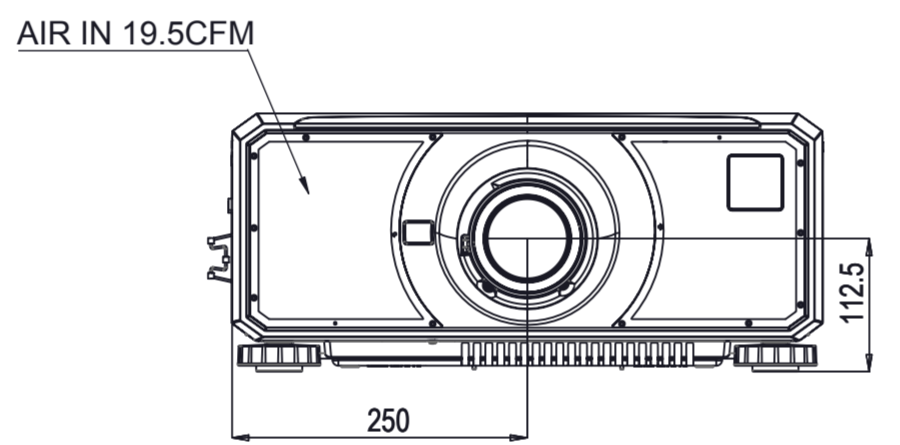
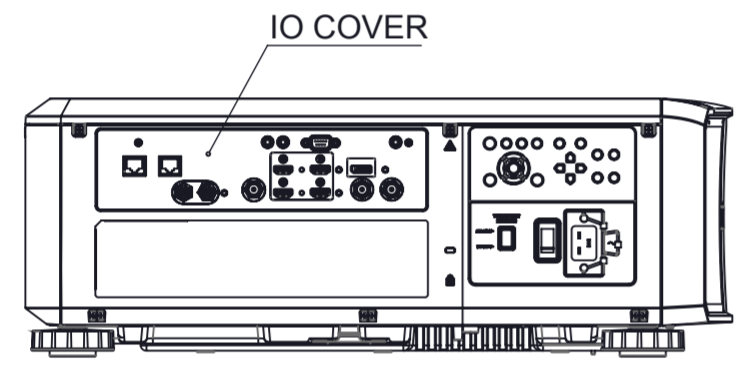
High Contrast Lenses (F# 2.5) for High Contrast Version of E-Vision Laser 4K Projector

Lens Type	Lens Description	Part Number	Outside Edge Lens Extension	Inside Edge Lens Extension	Remarks
Standard Lens HC	Lens E-Vision 1.71 - 2.25:1 Zoom on 4K-UHD	118-562	-7.6mm	-2.6mm	
Wide Zoom Lens HC	Lens E-Vision 1.24 - 1.78:1 Zoom on 4K-UHD	118-563	18.2mm	23.2mm	
Ultra Wide Zoom Lens HC	Lens E-Vision 0.74 - 0.93:1 Zoom on 4K-UHD	118-679	41.1mm	46.1mm	Has manual curvature correction on outer ring
Semi Long Zoom Lens HC	Lens E-Vision 2.2 - 3.67:1 Zoom on 4K-UHD	118-680	11.6mm	16.6mm	

A2 DRG. No.
 PROPRIETARY INFORMATION
 This document contains proprietary information which is loaned to you in confidence for a specific purpose. It shall not be reproduced or transferred to other documents or used for any other purpose without the prior written permission of Digital Projection Ltd. It shall be returned immediately upon request.



Distribution Code



118-150	E-VISION LASER 4K (BLACK, HIGH BRIGHTNESS)
118-151	E-VISION LASER 4K (BLACK, HIGH CONTRAST)
118-152	E-VISION LASER 4K (WHITE, HIGH BRIGHTNESS)
118-153	E-VISION LASER 4K (WHITE, HIGH CONTRAST)

PRE REVS	ITEM	DESCRIPTION	REFER TO	No OFF	REMARKS	MATERIAL	CAD GENERATED DRAWING DO NOT MAKE MANUAL CHANGES	TOLERANCES UNLESS OTHERWISE STATED	Unless Otherwise Stated DIMENSIONS IN MILLIMETRES	FIRST USED ON	DIGITAL PROJECTION MIDDLETON M24 1XX	COMPONENT OR DRG.No.
	7						LAST CHANGE	METRIC: 1.000 ±0.01 1.00 ±0.1 1.0 ±0.2 1 ±0.4	REMOVE ALL BURRS & SHARP EDGES. DO NOT SCALE DRAWING THE SURFACE TEXTURE ROUGHNESS NUMBER OF MACHINED SURFACES SHOULD BE EQUAL TO OR LESS THAN 0.8um (N6 CLA32)	ORIGINAL SCALE 1:8 DRAWN jcharnley APP.ENG. DATE 23-03-17	SEE ABOVE	SEE ABOVE
	6						DATE OF ISSUE 23-3-17	IMPERIAL Fractional ±1/64" Decimal ± 0.005"	REVISION A			
	5							ANGLES ± 0° 30'	NOTE			
	4								DRAWN jcharnley			
	3								APP.DO.			
	2								DATE 23-03-17			
	1											
A												