

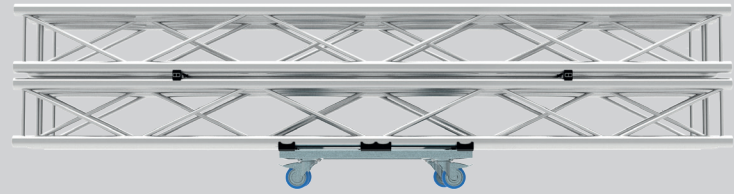


**ADMIRAL**  
STAGING

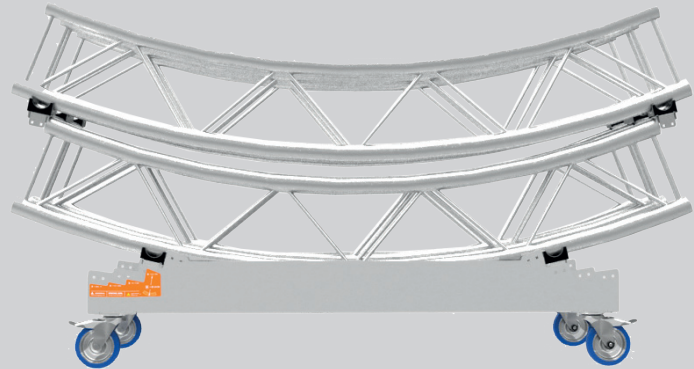
Transport truss  
securely and efficiently

# STRONG FAMILY

Ideal for both 30 and 40 truss, the Strong Boy is the perfect solution for transporting straight truss. Use it together with its Mini version to easily ride the loaded dolly up a stage ramp. Our Strong Girl can transport circular trusses with a square cross section and an outer diameter from 2.5 m up to 10 m and more.



**Strong Boy®**



**Strong Girl**



**Strong Boy mini®**

## KEY FEATURES

### **Sturdy design**

These strong, durable dollies are made out of 2 and 3 mm galvanized steel, made to withstand the test of time.

### **Optimal friction**

The frame is equipped with rubber studs that ensure a suitable positioning of your truss and prevent it from slipping.

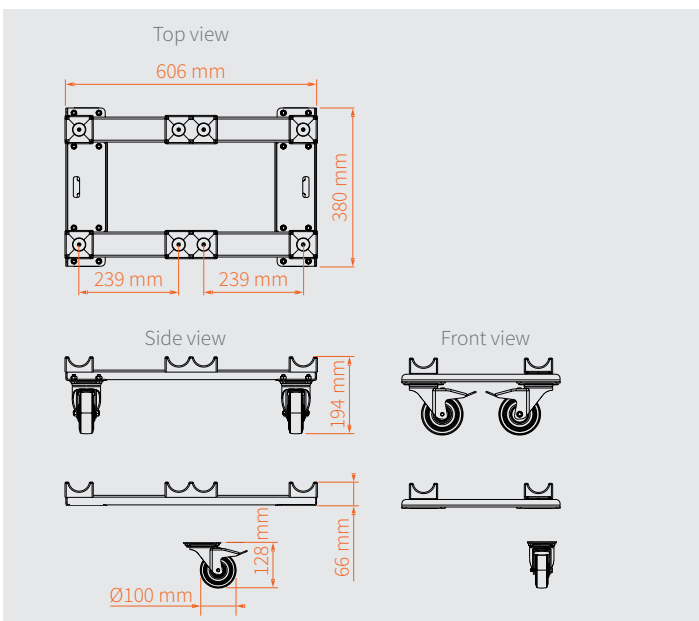
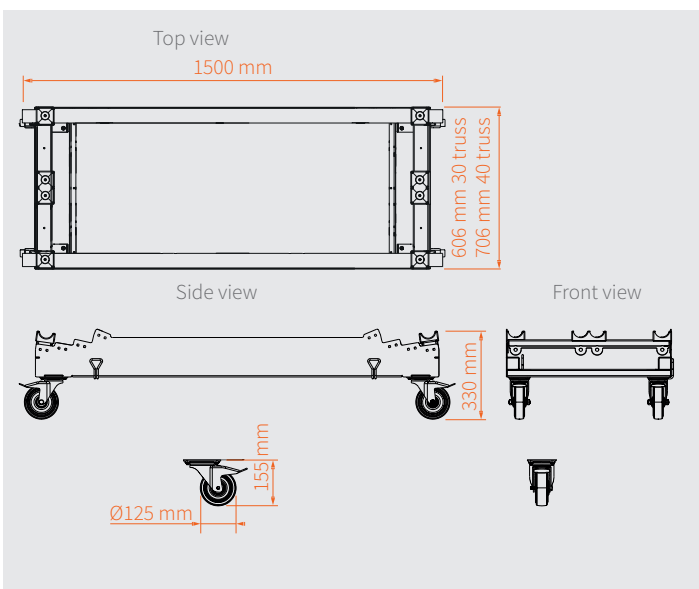
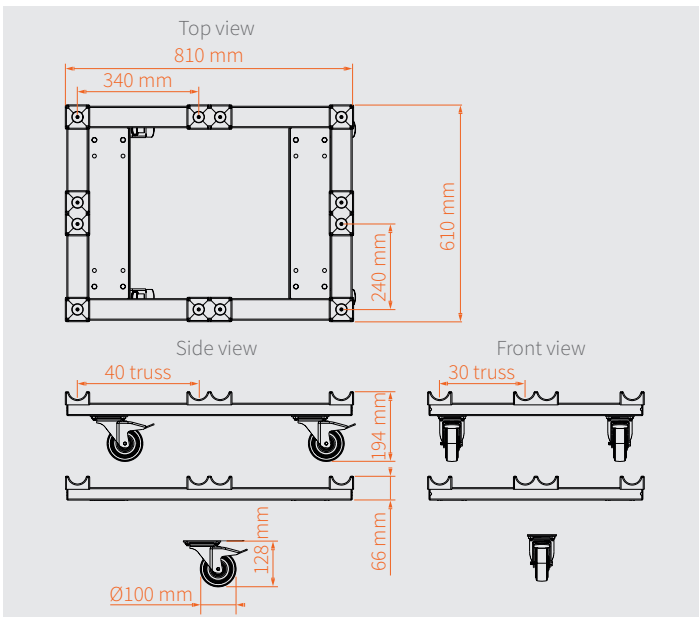
### **Easy to secure load**

The frame of the dollies have cutouts that allow you to easily attach the hooks of your straps so your load can be secured.

© Design registered in the EU and UK

[www.admiralstaging.com](http://www.admiralstaging.com)

## DIMENSIONS



## TECHNICAL DATA

### Strong Boy®

|               |                                |
|---------------|--------------------------------|
| Article code: | WASBC34WP                      |
| EAN:          | 8720094425528                  |
| WLL:          | 130 kg                         |
| Dimensions:   | 810 x 610 x 194 mm (L x W x H) |
| Weight:       | 13.6 kg                        |

### Set includes

#### 1x Strong Boy® frame

|               |                               |
|---------------|-------------------------------|
| Article code: | WASBC34                       |
| EAN:          | 8720094425511                 |
| Material:     | galvanized steel              |
| Dimensions:   | 810 x 610 x 66 mm (L x W x H) |
| Weight:       | 9.8 kg                        |

#### 4x Castor 100 mm with brake

|   |          |
|---|----------|
| Article code:                                       | ZEWACW14 |
| <b>1x Boltset Strong Boy, for 100/125 mm castor</b> |          |
| Article code:                                       | ZEM2SV34 |

### Strong Girl 30 truss

|               |                                  |
|---------------|----------------------------------|
| Article code: | WASG230                          |
| EAN:          | 8720094425535                    |
| WLL:          | 200 kg                           |
| Material:     | galvanized steel                 |
| Dimensions:   | 1500 x 606 x 330 mm (L x W x H)  |
| Weight:       | 30.5 kg                          |
| Castors:      | 4 x ZEWACW24 - 125 mm with brake |

### Strong Girl 40 truss

|               |                                  |
|---------------|----------------------------------|
| Article code: | WASG240                          |
| EAN:          | 8720094425542                    |
| WLL:          | 200 kg                           |
| Material:     | galvanized steel                 |
| Dimensions:   | 1500 x 706 x 330 mm (L x W x H)  |
| Weight:       | 30.6 kg                          |
| Castors:      | 4 x ZEWACW24 - 125 mm with brake |

### Strong Boy mini®

|               |                                |
|---------------|--------------------------------|
| Article code: | WASBM10C                       |
| EAN:          | 8720094427157                  |
| WLL:          | 130 kg                         |
| Dimensions:   | 606 x 380 x 194 mm (L x W x H) |
| Weight:       | 10.7 kg                        |

### Set includes

#### 1x Strong Boy mini® frame

|               |                               |
|---------------|-------------------------------|
| Article code: | WASBM10                       |
| EAN:          | 8720094425511                 |
| Material:     | galvanized steel              |
| Dimensions:   | 606 x 380 x 66 mm (L x W x H) |
| Weight:       | 7.48 kg                       |

#### 4x Castor 100 mm with brake

|  |          |
|--|----------|
| Article code:  | ZEWACW14 |
| <b>1x Boltset Strong Boy mini, for 100/125 mm castor</b> |          |
| Article code:  | ZEM2SV34 |

© Design registered in the EU and UK



**ADMIRAL**  
STAGING

| www.admiralstaging.com | Josink Kolkweg 10 | 7545 PR Enschede | The Netherlands | Tel: +31 53 4 301 201 |