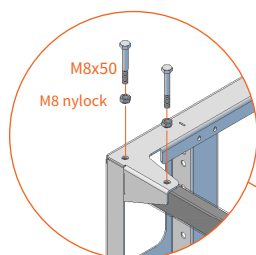
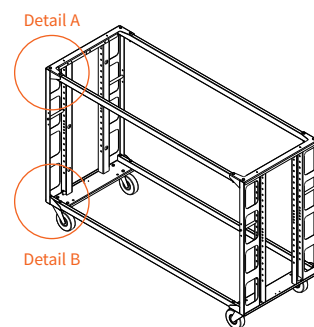




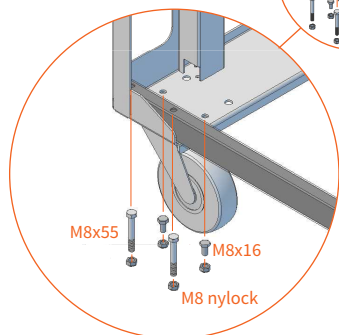
assembly



Detail A



Detail A



Detail B

maintenance

Please do not use aggressive cleaning agents such as solvents and/or corrosive substances. Clean the product with a cloth with a soft detergent. After cleaning the product dry it with a soft cloth. Check the product for worn, tear and/or lost items. By wear and/or missing of the proper components this product should be immediately taken out of service. Consult your supplier for advise.