



TOWERLIFTS



introduction



The international recognition earned by VMB Towerlifts is the result of a culture of continuous hard work year after year: to develop, manufacture and supply products for professional use, offering the highest standards of reliability, performance and strength.

VMB towerlifts have been designed for the professional user who demands a quality, reliable and practical product which guarantees the utmost security and safety at work. The development, manufacture and quality controls are carried out by experienced professionals and every single piece or component, as well as the final product, undergoes rigorous quality and strength controls.

Since we started manufacturing our first towerlifts in 1986, we have been continuously employing innovative materials, mechanisms and manufacturing processes in order to adapt our product range to the ever-increasing demands of the market.

All our towerlifts are fitted with the ALS Auto Lock Security System. The ALS system guarantees that all sections stay fixed at which ever height and makes it impossible for the load to collapse. In 2012 the SRS (Sequence Retainer System) was also added to all Front loading lifts enabling the sections to rise and descend in sequence.

With BGV-C1 certifications for every model VMB towerlifts are regarded and recognised worldwide for their quality and security and nowadays the brand has become synonymous with the product.

TELESCOPIC SERIES

Telescopic Lifts used to vertically elevate loads. These towerlifts have a load capacity of between 125 Kg and 300kg and reach between 3.8m and 6.5m in height. All telescopic lifts include the exclusive ALS (Auto Lock Security) Locks. 7 models available

TL SERIES

Front load HEAVY DUTY towerlifts with aluminium profiles. They can load directly from the ground and lift between 200 Kg to 350 Kg and reach between 5.3m and 8.2m. They are provided with the exclusive ALS (Auto Lock Security) locks especially designed for this kind of towerlift and the SRS (Sequence Retainer System). 6 models available

TL-A LINE ARRAY LIFTS

Especially designed for lifting Line Array and also provided with ALS (Auto Lock Security) and SRS (Sequence Retainer System). Extra space has been made for the subs to fit between the outriggers. The top cabinets can be loaded at half a metre from the lift's profile. There are 5 options available lifting between 150kg to 450kg and reaching between 5.5 and 6m in height. These lifts were first introduced to the market 4 years ago and are now used all across the globe for lifting line arrays.



index

TE-034 telescopic series.....	04
TE-06 telescopic series.....	05
TE-064 telescopic series.....	06
TE-071 telescopic series.....	07
TE-074 telescopic series.....	08
TE-076 telescopic series.....	09
TE-086 telescopic series.....	10
ACCESSORIES telescopic series.....	12
TL-054 tl series.....	16
TL-056 tl series.....	17
TL-072 tl series.....	18
TL-075 tl series.....	19
TL-078 tl series.....	20
HDT-8 tl series.....	22
TL-A150 tl-a line array series.....	24
TL-A220 tl-a line array series.....	25
TL-A300 tl-a line array series.....	26
TL-A320 tl-a line array series.....	27
TL-A450 tl-a line array series.....	28
ACCESSORIES	
tl series & tl-a line array series	30
Why VMB towerlifts?	32
TECHNICAL SPECIFICATIONS	34



TE-034

TELESCOPIC SERIES

The TE-034 is a telescopic Towerlift, designed to be used in all kinds of small event such as shows, presentations and all other industrial uses.

Once folded, it is compact enough to fit in the boot of a car.

The TE-034 Towerlift is built with three steel telescopic profiles operated with a cable through a manual winch with a disc brake.

The sections remain automatically fixed to the required height by the locks of the exclusive ALS Auto Lock Security system.

The ALS system fixes the sections to the required height, blocking the Towerlift and making it impossible for the load to fall. It guarantees complete working security on stage.

It has four extendable and adjustable legs with non-slip feet and a bracket with a magnet for housing the EX-034 extension bar.

Once the towerlift is folded, a handle makes the transport in horizontal position easier.

Adjustable support PSU-034 is recommended for lifting truss. Other accessories and supports are also available on page 12.

Available in silver or black.



Technical specifications

Maximum height	3.8 m (12.5')
Maximum load	125 Kg (275 lb)
Work surface	1.5 x 1.5 m (4.9 x 4.9')
Folded height	1.26 m (4.1')
Weight	21 Kg (47 lb)
Winch	450 Kg (990 lb)
Adaptor	ø 35 mm (PSU-034/PSU-06)



ALS
(auto-lock security)

CERTIFICATIONS
BGV C1 (GUV-VC1)
2006/42/CE



TE-06

The TE-06 is a telescopic Towerlift, designed to be used in shows, presentations and many different industrial uses.

The TE-06 Towerlift is built with three steel telescopic profiles operated with a cable through a manual winch with a disc brake.

The sections remain automatically fixed to the required height by the locks of the exclusive ALS Auto Lock Security system.

The ALS system fixes the sections to the required height, blocking the Towerlift and making it impossible for the load to fall. It guarantees complete working security on stage.

It has four stabilising legs that come with adjustable disc feet with non-slip injected rubber. Stabilising legs can be removed and placed in special compartments on the base. A handle and two rear wheels are provided for easier transportation.

A spirit level helps to maintain the vertical position of the Towerlift.

Adjustable supports PSU-06 and PSA-01 make it possible to lift any kind of truss.

Other accessories and supports are also available on page 12.

Available in silver or black.



ALS
(auto-lock security)

CERTIFICATIONS
BGV C1 (GUV-VC1)
2006/42/CE



Maximum height	5 m (16.4')
Maximum load	125 Kg (275 lb)
Work surface	2 x 2 m (6.6 x 6.6')
Folded height	1.90 m (6.2')
Weight	32 Kg (71 lb)
Winch	450 Kg (990 lb)
Adaptor	ø 35 mm (PSU-06/PSA-01)

Technical specifications

TE-064

TELESCOPIC SERIES

The TE-064 is a telescopic Towerlift for heavy loads, designed for professional use and for any show where strength, security and ease of use are required.

The four sections of the TE-064 are operated with a steel cable through a manual winch with a disc brake. The sections remain automatically fixed to the required height by the locks of the exclusive ALS Auto Lock Security system. The ALS system fixes the sections to the required height, blocking the Towerlift and making it impossible for the load to fall. It guarantees complete working security on stage.

It has four stabilising legs that can be removed and come with adjustable disc feet, swivel wheels and a spirit level that helps to maintain the vertical position of the Towerlift. With the Towerlift folded and the legs back in their compartments, it forms a compact block which makes it easy to manoeuvre around thanks to the swivel wheels of the base.

The adjustable supports PSU-06 and PSA-01 make it possible to lift any kind of truss. Other accessories and supports are also available on page 12.

Available in silver or black.



Technical specifications

Maximum height	5.35 m (17.5')
Maximum load	125 Kg (275 lb)
Security	ALS
Work surface	2 x 2 m (6 x 6')
Folded height	1.72 m (5.6')
Weight	41 Kg (90 lb)
Winch	450 Kg (990 lb)
Adaptor	ø 35 mm (PSU-06/PSA-01)



ALS
(auto-lock security)

CERTIFICATIONS
BGV C1 (GUV-VC1)
2006/42/CE



The TE-071 is a telescopic Towerlift for heavy loads, designed for professional use with a maximum load capacity of 220 kg and a good manoeuvrability thanks to its adjusted transport weight.

The four sections of the TE-071 are operated with a steel cable through a manual winch with a disc brake.

The sections remain automatically fixed to required height by the locks of the exclusive ALS Auto Lock Security system.

The ALS system fixes the sections to the required height, blocking the towerlift and avoiding the cable to support the load when operating. It makes it impossible for the load to fall and guarantees complete working security.

It has four stabilising legs that can be removed and come with adjustable disc feet, swivel wheels and a spirit level that helps to maintain the vertical position of the Towerlift. Each section is fitted with a manual screw so the user can control which section rises first.

With the Towerlift folded and the legs back in their compartments, it forms a compact block which makes it easy to manoeuvre around thanks to the swivel wheels of the base.

The adjustable supports PSU-06 and PSA-01 make it possible to lift any kind of truss. A wheel kit (RH-1) is also available to transport the towerlift horizontally. Other accessories and supports are also available on page 12.

Available in silver or black.



ALS
(auto-lock security)

CERTIFICATIONS
BGV C1 (GUV-VC1)
2006/42/CE



Maximum height **5.35 m (17.5')**

Maximum load **220 Kg (485 lb)**

Security **ALS**

Work surface **2.1 x 2.1 m (6.8 x 6.8')**

Folded height **1.73 m (5.7')**

Weight **71 Kg (157 lb)**

Winch **450 Kg (990 lb)**

Adaptor **ø 35 mm (PSU-06/PSA-01)**

Technical specifications

TE-074

TELESCOPIC SERIES

The TE-074 is a telescopic Towerlift for heavy loads, designed for professional uses with a maximum load capacity of 230 kg.

The four sections of the TE-074 are operated with a steel cable through a manual winch with a disc brake.

The sections remain automatically fixed to required height by the locks of the exclusive ALS Auto Lock Security system.

The ALS system fixes the sections to the required height, blocking the Towerlift and avoiding the cable to support the load when operating. It makes it impossible for the load to fall and guarantees complete working security.

It has four stabilising legs that can be removed and come with adjustable disc feet, swivel wheels and a spirit level that helps to maintain the vertical position of the Towerlift.

Each section is fitted with a manual screw so the user can control which section rises first.

With the Towerlift folded and the legs back in their compartments, it forms a compact block which makes it easy to manoeuvre around thanks to the swivel wheels of the base.

The adjustable supports PSU-074 and PSA-02 make it possible to lift any kind of truss. A wheel kit (RH-1) is also available to transport the towerlift horizontally. Other accessories and supports are also available on page 12.

Available in silver or black.



Technical specifications

Maximum height	5.35 m (17.5')
Maximum load	250 Kg (551 lb)
Security	ALS
Work surface	2.1 x 2.1 m (6.8 x 6.8')
Folded height	1.74 m (5.7')
Weight	91 Kg (200 lb)
Winch	900 Kg
Adaptor	ø 55 mm (PSU-074/PSA-02)



ALS
(auto-lock security)

CERTIFICATIONS
BGV C1 (GUV-VC1)
2006/42/CE



TE-076

The TE-076 is a telescopic Towerlift for heavy loads, designed for professional uses where a height of more than 6m is required.

The five sections of the TE-076 are operated with a steel cable through a manual winch with a disc brake.

The sections remain automatically fixed to required height by the locks of the exclusive ALS Auto Lock Security system. The ALS system fixes the sections to the required height, blocking the Towerlift and avoiding the cable to support the load when operating. It makes it impossible for the load to fall and guarantees complete working security.

It has four stabilising legs that can be removed and come with disc feet, swivel wheels and a spirit level that helps to maintain the vertical position of the Towerlift.

Each section is fitted with a manual screw so the user can control which section rises first.

With the Towerlift folded and the legs back in their compartments, it forms a compact block which makes it easy to manoeuvre around thanks to the swivel wheels of the base.

The adjustable supports PSU-06 and PSA-01 make it possible to lift any kind of truss. A wheel kit (RH-1) is also available to transport the towerlift horizontally. Other accessories and supports are also available on page 12.

Available in silver or black.



ALS
(auto-lock security)

CERTIFICATIONS
BGV C1 (GUV-VC1)
2006/42/CE



Maximum height	6.5 m (21.3')
Maximum load	220 Kg (485 lb)
Security	ALS
Work surface	2.4 x 2.4 m (7.8 x 7.8')
Folded height	1.83 m (6')
Weight	95 Kg (209 lb)
Winch	900 Kg
Adaptor	ø 35 mm (PSU-06/PSA-01)

Technical specifications

TE-086

TELESCOPIC SERIES

The TE-086 is the largest telescopic Towerlift VMB offer, designed for professional uses where a height of more than 6m is required and where a heavy load is being used.

The five sections of the TE-086 are operated with a steel cable through a manual winch with a disc brake.

The sections remain automatically fixed to required height by the locks of the exclusive ALS Auto Lock Security system. The ALS system fixes the sections to the required height, blocking the Towerlift and avoiding the cable to support the load when operating. It makes it impossible for the load to fall and guarantees complete working security.

It has four stabilising legs that can be removed and come with disc feet, swivel wheels and a spirit level that helps to maintain the vertical position of the Towerlift.

Each section is fitted with a manual screw so the user can control which section rises first.

With the Towerlift folded and the legs back in their compartments, it forms a compact block which makes it easy to manoeuvre around thanks to the swivel wheels of the base.

The adjustable support PSU-086 make it possible to lift any kind of truss. Other accessories and supports are also available on page 12.

Available in silver or black.



Technical specifications

Maximum Height	6.5 m (21.3')
Maximum Load	300 kg (661 lb)
Security	ALS auto-lock
Work surface	2.3 x 2.3 m (7.5 x 7.5')
Folded height	1.87 m (6.1')
Weight	129 kg (284 lb)
Winch	900 kg
Load Support	PSU-086 (50 mm)



ALS
(auto-lock security)

CERTIFICATIONS
BGV C1 (GUV-VC1)
2006/42/CE





TE-076
Pro-Series

ALS[®]
AUTO LOCK SECURITY

TELESCOPIC

ACCESSORIES

PSU-034B Truss support for TE-034 towerlift



PSU-06B Adjustable support for truss, with U-piece and pin. Suitable for towerlifts with insertion of 35 mm. Also available in silver color, ref.: PSU-06



PSU-074B TE-074 adjustable support for truss, with U-piece and pin. Insertion of 55 mm. Also available in silver color, ref.: PSU-074



PSU-086B TE-086 adjustable support for truss, with U-piece and pin. Insertion of 50 mm



PSA-01 Adjustable support for truss, with tilting alicraft grips. For towerlifts with insertion of 35 mm



PSA-02 Adjustable support for truss, with tilting alicraft grips. For towerlifts with insertion of 55 mm



PSX-01 Adjustable 4 point alicraft support with insertion of 35 mm



PSX-02 Adjustable 4 point alicraft support with insertion of 55 mm



PSD-01 Flat truss support for towerlifts with insertion of 35 mm



PSU-034B



PSA-01



PSD-01

BT-06 Support bar with length of 1.89 m. Suitable for all towerlifts with insertion of 35 mm



BT-07 TE-074 support bar with length of 1.89 m. Insertion of 55 mm



BT-061 Support for lights bar. Suitable for towerlifts with insertion of 35 mm



BT-071 TE-074 support for lights bar. Insertion of 55 mm



BT-072 TE-074 support for two lights bar. Insertion of 55 mm



BT-062 Support for two lights bars. Suitable for all towerlifts with insertion of 35 mm



SPG-3529 Adaptor for Spigot with insertion of 29 mm. Suitable for towerlift insertion of 35 mm



TE-074 adaptor for Spigot with insertion of 29 mm. Towerlift insertion of 55 mm

SPG-5529

AT-01 Alicraft, suitable for towerlifts with insertion of 35 mm



RH-1 Transport kit



AT-02

Alicraft, suitable for towerlifts with insertion of 55 mm

SPK-35

35 mm insertion for speaker placement



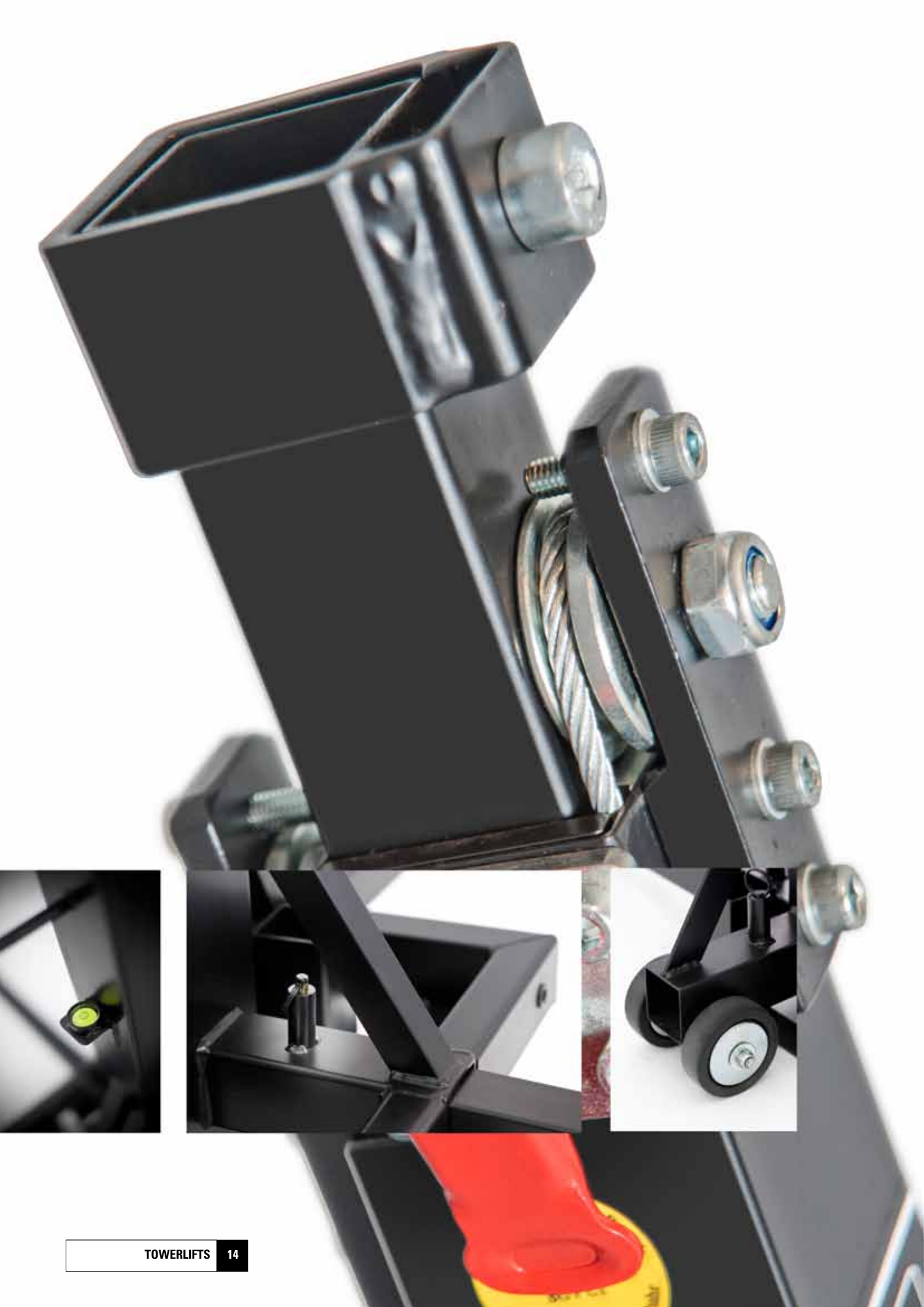
PSX-01



BT-06



AT-01





TL-054

TL SERIES

This front load towerlift can lift 220 kg from the ground. It is built with four aluminium profiles and a lifting carriage that are guided along by nylon rollers. The sections are operated with a steel cable through a manual winch with a disc brake.

Each one of the profiles is secured with an automatic inertia lock ILS that will lock the profile in a fixed and stable position in case the cable breaks.

The aluminium sections are fixed on a solid steel base provided with swivel wheels for ease of transport. The base also has a special compartment for the four stabilising legs that are provided with adjustable mounting plates and a spirit level that helps to maintain the vertical position of the towerlift. The load is lifted on two steel arms that are fixed on the lifting carriage.

The lifting carriage benefits from an automatic inertia lock that blocks the lifting carriage in a fixed and stable position in case the cable breaks.

The profiles automatically rise in sequence thanks to the SRS (Sequence Retainer System).

The towerlift can also be transported in a horizontal position thanks to the RH-2 wheels optional kit.

Available in silver or black.



Technical specifications



SRS (Sequence-Retainer-System)

Maximum height	5.45 m (17.8')
Maximum load	220 Kg (485 lb)
Security	ILS
Work surface	2 x 2 m (6.6 x 6.6')
Folded height	1.70 m (5.6')
Weight	87 Kg (191 lb)
Winch	900 Kg
Load support	Forks



CERTIFICATIONS
BGV C1 (GUV-VC1)
2006/42/CE



TL-056

This front load towerlift can lift 200 kg from the ground. It is built with three aluminium profiles and a lifting carriage that are guided along by nylon rollers. The sections are operated with a steel cable through a manual winch with a disc brake.

Each one of the profiles is secured with an automatic inertia lock ILS that will lock the profile in a fixed and stable position in case the cable breaks.

The aluminium sections are fixed on a solid steel base provided with swivel wheels for ease of transport. The base also has a special compartment for the four stabilising legs that are provided with adjustable mounting plates and a spirit level that helps to maintain the vertical position of the towerlift. The load is lifted on two steel arms that are fixed on the lifting carriage.

The lifting carriage benefits from an automatic inertia lock that blocks the lifting carriage in a fixed and stable position in case the cable breaks.

The profiles automatically rise in sequence thanks to the SRS (Sequence Retainer System).

The towerlift can also be transported in a horizontal position thanks to the RH-2 wheels optional kit Available in silver or black.



Maximum height	6.5 m (21.3')
Maximum load	200 Kg (441 lb)
Security	ILS
Work surface	2 x 2 m (6.6 x 6.6')
Folded height	1.98 m (6.5')
Weight	94.5 Kg (208 lb)
Winch	900 Kg
Load support	Forks

Technical specifications



SRS (Sequence-Retainer-System)

CERTIFICATIONS
BGV C1 (GUV-VC1)
2006/42/CE



TL-072

TL SERIES

This front load HEAVY DUTY Towerlift can lift 240 kg from the ground. It is built with four aluminium profiles and a lifting carriage that are guided along by nylon rollers. The sections are operated with a steel cable through a manual winch with a disc brake.

The profiles automatically block and fix in working position thanks to the ALS security system which guarantees the total security and reliability of the load. Once blocked the towerlift does not rely on the cable for any support. The profiles also automatically rise in sequence thanks to the SRS (Sequence Retainer System).

The aluminium sections are fixed on a solid steel base provided with swivel wheels for ease of transport. The base also has a special compartment for the four outriggers that are provided with adjustable mounting plates and a spirit level that helps to maintain the vertical position of the Towerlift. The load is lifted on two steel forks that are fixed on the lifting carriage.

The lifting carriage benefits from two security systems: the ALS system and an automatic inertia lock that blocks the lifting carriage in a fixed and stable position in case the cable breaks. The Towerlift can also be transported in a horizontal position thanks to the RH-3 wheels optional kit. Available in silver or black.



Technical specifications

Maximum height	6.5 m (21.3')
Maximum load	240 Kg (529 lb)
Security	ALS
Work surface	2.2 x 2.2 m (7.2 x 7.2')
Folded height	1.98 m (6.5')
Weight	114 Kg (251 lb)
Winch	900 Kg
Load support	Forks



ALS (Auto-Lock-Security)
SRS (Sequence-Retainer-System)

CERTIFICATIONS
BGV C1 (GUV-VC1)
2006/42/CE



TL-075

This front load HEAVY DUTY Towerlift can lift 300 kg from the ground. It is built with four aluminium profiles and a lifting carriage that are guided along by nylon rollers. The sections are operated with a steel cable through a manual winch with a disc brake. The profiles automatically block and fix in working position thanks to the ALS security system which guarantees the total security and reliability of the load. Once blocked the towerlift does not rely on the cable for any support. The profiles also automatically rise in sequence thanks to the SRS (Sequence Retainer System).

The aluminium sections are fixed on a solid steel base provided with swivel wheels for ease of transport. The base also has a special compartment for the four outriggers that are provided with adjustable mounting plates and a spirit level that helps to maintain the vertical position of the Towerlift. The load is lifted on two steel forks that are fixed on the lifting carriage.

The lifting carriage benefits from two security systems: the ALS system and an automatic inertia lock that blocks the lifting carriage in a fixed and stable position in case the cable breaks. The Towerlift can also be transported in a horizontal position thanks to the RH-4 wheels optional kit.

Available in silver or black.



ALS (Auto-Lock-Security)
SRS (Sequence-Retainer-System)

Maximum height	6.5 m (21.3')
Maximum load	300 Kg (661 lb)
Security	ALS
Work surface	2.2 x 2.2 m (7.2 x 7.2')
Folded height	1.98 m (6.5')
Weight	179 Kg (395 lb)
Winch	1200 Kg
Load support	Forks

Technical specifications

CERTIFICATIONS
BGV C1 (GUV-VC1)
2006/42/CE



TL-078

TL SERIES

The TL-078 is a front load HEAVY DUTY Towerlift designed for professional uses where a height up to 8 m. is required.

It is built with five aluminium profiles and a lifting carriage that are guided along by nylon rollers.

The sections are operated with a steel cable through a manual winch with a disc brake. The profiles automatically block and fix in working position thanks to the ALS security system which guarantees the total security and reliability of the load. Once blocked the towerlift does not rely on the cable for any support. The profiles also automatically rise in sequence thanks to the SRS (Sequence Retainer System).

The aluminium sections are fixed on a solid steel base provided with swivel wheels for ease of transport. The base also has a special compartment for the four outriggers that are provided with adjustable mounting plates and a spirit level that helps to maintain the vertical position of the Towerlift. The load is lifted on two steel forks that are fixed on the lifting carriage.

The lifting carriage benefits from two security systems: the ALS system and an automatic inertia lock that blocks the lifting carriage in a fixed and stable position in case the cable breaks. The Towerlift can also be transported in a horizontal position thanks to the RH-4 wheels optional kit.

Available in silver or black.



Technical specifications

Maximum height	8 m (26.2')
Maximum load	280 Kg (617 lb)
Security	ALS
Work surface	2.2 x 2.2 m (7.2 x 7.2')
Folded height	1.98 m (6.5')
Weight	203 Kg (448 lb)
Winch	1200 Kg
Load support	Forks



ALS (Auto-Lock-Security)
SRS (Sequence-Retainer-System)



CERTIFICATIONS
BGV C1 (GUV-VC1)
2006/42/CE



TL-054

MAX. HEIGHT / ALTURA MAXIMA	5,45 m.
MIN. HEIGHT / ALTURA MINIMA	1,70 m.
MAX. LIFT LOAD / CARGA MAXIMA	220 Kg.
AREA OF BASE / SUPERFICIE BASE	2 x 2 m.
TRANSPORT WEIGHT / PESO	87 Kg.

HDT-8

TL SERIES

The HDT-8 HEAVY DUTY TOWER is VMB's largest and strongest lift.

Designed for professional uses where a height up to 8.2 m and 350kg is required.

It is built with five aluminium profiles and a lifting carriage that are guided along by nylon rollers.

The sections are operated with a steel cable through a manual double handed winch with a disc brake. Via the SRS (Sequence Retainer System) sections raise one after another and remain fixed in the required position thanks to the exclusive ALS security system.

This security system blocks the sections of the towerlift automatically, meaning the cable does not have to support the weight and makes it impossible for the load to fall.

The aluminium sections are fixed on a solid steel base provided with swivel wheels for ease of transport. The base also has a special steel compartment for the four stabilising legs that are provided with adjustable mounting plates and a spirit level that helps to maintain the vertical position of the Towerlift. The load is lifted vertically on two steel arms that are fixed on the lifting carriage.

The lifting carriage benefits from two security systems: the ALS system and an automatic inertia lock that blocks the lifting carriage in a fixed and stable position in case the cable breaks.

Only available in black.



Technical specifications

Maximum height	8.2 m (26.9')
Maximum load	350 Kg (772 lb)
Security	ALS
Work surface	2.11 x 2.57 m (7 x 8.4')
Folded height	1.98 m (6.5')
Weight	232 Kg (512 lb)
Winch	1700 Kg
Load support	Forks



ALS (Auto-Lock-Security)
SRS (Sequence-Retainer-System)



CERTIFICATIONS
BGV C1 (GUV-VC1)
2006/42/CE



TL-A150

TL-A LINE ARRAY SERIES

The TL-A150 is specifically designed for lifting Line Array to a height of 5.3m with a maximum weight of 150kg.

The towerlift has been especially designed For small line arrays or any other light weight PA systems and unlike the other TL-A series lifts comes with 0.5m forks as opposed to 0.75m.

The TL-A150 is designed to offer unprecedented front and lateral stability with the profiles automatically rising in sequence thanks to the SRS (Sequence Retainer System).

The TL-A150 body is comprised of four aluminium profiles which slide against each other, guided along by nylon rolls. The profiles raise via steel cable through an automatic brake manual winch.

Each one of the profiles is secured with an automatic inertia lock ILS that will lock the profile in a fixed and stable position in case the cable breaks.

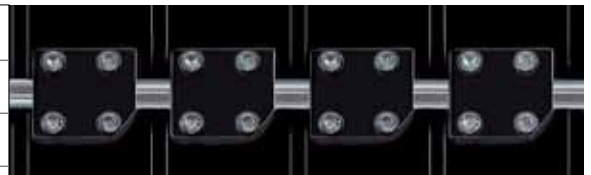
The detailed design of the towerlift steel base has, for the first time, made it possible to load a Line Array directly next to the towerlift body without the outriggers getting in the way. The rear support bars as well as the frontal support affirm this towerlifts stability.



Technical specifications



Maximum height	5.3 m (17.4')
Maximum load	150 kg (331 lb)
Security	ALS
Work surface	1.7 x 1.85 m (5.6' x 6.1')
Folded height	1.54 m (5')
Weight	100 kg (220 lb)
Winch	450 kg
Load support	Forks



SRS (Sequence-Retainer-System)

CERTIFICATIONS
BGV C1 (GUV-VC1)
2006/42/CE





The TL-A220 is specifically designed for lifting Line Array to a height of 5.5m with a maximum weight of 220kg. The towerlift allows the Line Array to be situated at a half metre distance from the lift so as to achieve the required inclination of the cabinets and ensure perfect coverage.

The TL-A220 is designed to offer unprecedented front and lateral stability, guaranteeing fixed and safe positioning of the Line Array

With conventional towerlifts, the maximum load is rapidly reduced the further away from the profile the load is placed. A capacity of 300kg, is reduced to 190kg at 50cm from the towerlift.

The TL-A220 can lift 220kg with the centre of gravity situated at 50cm from the towerlift profile. This means that the front of the Line Array can be at 1 metre from the towerlift

The TL-A220 body is comprised of four aluminium profiles which slide against each other, guided along by nylon rolls. The profiles raise via steel cable through an automatic brake manual winch. The profiles automatically block and fix in working position thanks to the ALS security system which guarantees the total security and reliability of the load. Once blocked the towerlift does not rely on the cable for any support. The profiles also automatically rise in sequence thanks to the SRS (Sequence Retainer System).

The detailed design of the towerlift steel base has, for the first time, made it possible to load a Line Array directly next to the towerlift body without the outriggers getting in the way.

The rear support bars as well as the frontal support affirm this towerlifts stability. The towerlift can be transported vertically or horizontally by mounting the optional RH-2 wheel kit.



ALS (Auto-Lock-Security)
SRS (Sequence-Retainer-System)

Maximum height	5.5 m (18')
Maximum load	220 Kg (485 lb) (0.5 m at distance)
Security	ALS
Work surface	2.1 x 1.6 m (6.9 x 5.2')
Folded height	1.72 m (5.6')
Weight	95 Kg (209 lb)
Winch	900 Kg
Load support	Forks

Technical specifications



CERTIFICATIONS
BGV C1 (GUV-VC1)
2006/42/CE



TL-A300

TL-A LINE ARRAY SERIES

The compact TL-A300 is specifically designed for lifting Line Array to a height of 5.8m with a maximum weight of 320kg. The towerlift allows the Line Array to be situated at a half metre distance from the lift so as to achieve the required inclination of the cabinets and ensure perfect coverage.

The TL-A300 is designed to offer unprecedented front and lateral stability, guaranteeing fixed and safe positioning of the Line Array.

With conventional towerlifts, the maximum load is rapidly reduced the further away from the profile the load is placed. A capacity of 300kg, is reduced to 190kg at 50cm from the towerlift.

The TL-A300 can lift 300kg with the centre of gravity situated at 50cm from the towerlift profile. This means that the front of the Line Array can be at 1 metre from the Towerlift.

The TL-A300 body is comprised of four aluminium profiles which slide against each other, guided along by nylon rolls. The profiles raise via steel cable through an automatic brake manual winch. The profiles automatically block and fix in working position thanks to the ALS security system which guarantees the total security and reliability of the load. Once blocked the towerlift does not rely on the cable for any support. The profiles also automatically rise in sequence thanks to the SRS (Sequence Retainer System).

The detailed design of the towerlift steel base has, for the first time, made it possible to load a Line Array directly next to the towerlift body without the outriggers getting in the way.

The rear support bars as well as the adjustable frontal support affirm this towerlifts stability. The lift also comes with an ergonomic handle for easier transportation.



Technical specifications



Maximum height	5.8 m (19')
Maximum load	300 kg (662 lb)
Security	ALS
Work surface	1.9 x 2.1 m (6.2 x 6.9')
Folded height	1.58 m (5.2')
Weight	165 Kg (364 lb)
Winch	900 Kg
Load support	Forks



ALS (Auto-Lock-Security)
SRS (Sequence-Retainer-System)



CERTIFICATIONS
BGV C1 (GUV-VC1)
2006/42/CE

TL-A320

The TL-A320 is specifically designed for lifting Line Array to a height of 6m with a maximum weight of 320kg. The towerlift allows the Line Array to be situated at a half metre distance from the lift so as to achieve the required inclination of the cabinets and ensure perfect coverage.

The TL-A320 is designed to offer unprecedented front and lateral stability, guaranteeing fixed and safe positioning of the Line Array

With conventional towerlifts, the maximum load is rapidly reduced the further away from the profile the load is placed. A capacity of 300kg, is reduced to 190kg at 50cm from the towerlift.

The TL-A320 can lift 320kg with the centre of gravity situated at 50cm from the towerlift profile. This means that the front of the Line Array can be at 1 metre from the towerlift

The TL-A320 body is comprised of four aluminium profiles which slide against each other, guided along by nylon rolls. The profiles raise via steel cable through an automatic brake manual winch. The profiles automatically block and fix in working position thanks to the ALS security system which guarantees the total security and reliability of the load. Once blocked the towerlift does not rely on the cable for any support. The profiles also automatically rise in sequence thanks to the SRS (Sequence Retainer System).

The detailed design of the towerlift steel base has, for the first time, made it possible to load a Line Array directly next to the towerlift body without the outriggers getting in the way.

The rear support bars as well as the frontal support affirm this towerlifts stability. Never the less, on profile 2, two eye bolts are built in to allow the towerlift to be attached to the ground in case the towerlift is used in heavy wind conditions.

The towerlift can be transported vertically or horizontally by mounting the optional RH-4 wheel kit.



ALS (Auto-Lock-Security)
SRS (Sequence-Retainer-System)

Maximum height	6 m (19.7')
Maximum load	320 Kg (705 lb) (0.5 m at distance)
Security	ALS
Work surface	2.25 x 2.15 m (7.4 x 7.1')
Folded height	1.98 m (6.5')
Weight	184 Kg (405 lb)
Winch	1200 Kg
Load support	Forks

Technical specifications



CERTIFICATIONS
BGV C1 (GUV-VC1)
2006/42/CE



TL-A450

TL-A LINE ARRAY SERIES

The TL-A450 is specifically designed for lifting Line Array to a height of 6m with a maximum weight of 450kg. The towerlift allows the Line Array to be situated at a half metre distance from the lift so as to achieve the required inclination of the cabinets and ensure perfect coverage.

The TL-A450 is designed to offer unprecedented front and lateral stability, guaranteeing fixed and safe positioning of the Line Array

With conventional towerlifts, the maximum load is rapidly reduced the further away from the profile the load is placed. A capacity of 300kg, is reduced to 190kg at 50cm from the towerlift.

The TL-A450 can lift 450kg with the centre of gravity situated at 50cm from the towerlift profile. This means that the front of the Line Array can be at 1 metre from the towerlift

The TL-A450 body is comprised of four aluminium profiles which slide against each other, guided along by nylon rolls. The profiles raise via steel cable through an automatic brake manual winch. The profiles automatically block and fix in working position thanks to the ALS security system which guarantees the total security and reliability of the load. Once blocked the towerlift does not rely on the cable for any support. The profiles also automatically rise in sequence thanks to the SRS (Sequence Retainer System).

The detailed design of the towerlift steel base has, for the first time, made it possible to load a Line Array directly next to the towerlift body without the outriggers getting in the way.

The rear support bars as well as the frontal support affirm this towerlifts stability. Never the less, on profile 2, two eye bolts are built in to allow the towerlift to be attached to the ground in case the towerlift is used in heavy wind conditions.

The towerlift can be transported vertically or horizontally by mounting the optional RH-5 wheel kit.



Technical specifications



Maximum height	6 m (19.7')
Maximum load	450 Kg (992 lb) (0.5 m at distance)
Security	ALS
Work surface	2.25 x 2.15 m (7 x 7')
Folded height	1.98 m (6.5')
Weight	196 Kg (432 lb)
Winch	1200 Kg
Load support	Forks



ALS (Auto-Lock-Security)
SRS (Sequence-Retainer-System)

CERTIFICATIONS
BGV C1 (GUV-VC1)
2006/42/CE





TLL-A220

TL SERIES & TL-A LINE ARRAY SERIES

ACCESSORIES

BC-075

TL series load fork. 0,55 m.



BC-075L

Long fork for line array systems. 0,75 m.



BC-A450

Long reinforced fork for TL-A450 & HDT-8 0,75m



FAS-01

Special support to lift PA systems with the forks BC-075L.



FAS-02

Special support to lift PA systems with the forks BC-075L.



RH-2

Transport kit for TL-054, TL-056 & TL-A220



RH-3

Transport kit for TL-072.



RH-4

Transport kit for TL-075, TL-078 & TL-A320



RH-5

Transport kit for TL-A450



PS-1TR



PS-2TR

U piece for transverse or longitudinal load.



PR-01

Angle support for FAS-01 & FAS-02

GS-0,8

TL-A 800kg shackle





WHY VMB TOWERLIFTS?

"VMB towerlifts represent an original construction and certified quality for affordable price"

Music Data, Czech Republic

"We have used VMB towerlifts in our professional rental for many years. They suit us well, and we trust them from small to big setups"

Michael Henriksen, Unico Gruppen, Denmark

"After buying my VMB TE-074P I have to say that I am more than happy with them. Stable, Strong, Super Security with a great advantage compared with a competitor brand I was using before. The ALS, Auto Lock Security system is wonderful. Thank you for introducing me to VMB towerlifts"

M Bresset, ALB, France

"We would only ever use VMB towerlifts, why would we use anything else? They are the most reliable and ofcourse, the safest on the market and when you are lifting and lowering expensive equipment it is important to have peace of mind"

Carlos Berlanga, Watussi, Spain

"VMB towerlifts are providing me with the flexibility to raise my lights, line array system and my other devices safely and efficiently"

Mega Kol, Israel'

We've been using VMB Towerlifts in our production department for a couple of years now and they've been excellent. Our Towerlifts are workhorses that get used on almost all of our hotel/ club touring systems. You take them out of the case, put the truss on, then they go up and when the gig's finished, they come back down and go back into the road case - sounds simple, but they do this EVERY TIME with no problems or breakages (not so with our other/older Winchups). Indeed, we've just sold our winchups to a scrap metal yard and now only have VMB Towerlifts as ground support"

Neale Mace, Entertainment Installations, Australia

"We are using more than 20 VMB Towerlifts. We sold all the other competitor products during the last year and now only use VMB. We have now also bought 4 TL-075C for flying the Lynx Line Array. We are very happy with the big range and the excellent Service from VMB"

Thomas Wernikowski, Acoustic Sound, Germany

"We are really happy with our VMB towerlifts and especially like them because of their Safety and also because they are easy to operate"

AVAB CAC, Norway

"Certainly, The big advantage with VMB towerlifts is the wide range they offer, it helps to be able to choose the right product for specific needs and every kind of installation. A good idea was adding black products which helps us to use them in theaters. The most important thing is quality and security of all VMB products. CE and all other certificates assure us that these are the right products for us"

Piotr Wojtas, Elwolight, Poland

"VMB towerlifts never disappoint me. Even when I was in need to force them to their limits. Then I really loved them"

George Kastanis, Super Sound, Greece

"VMB towerlifts have given us the ability to rig up our sound systems in practically any venue and they really add value to the services we have to offer. Above all they make us look and sound great at all times"

Warren D'Souza, SOUND.COM, India

"We have several VMB towerlifts in our rental stock, in three cities. As Sweden is such a large country they travel a lot and we are very satisfied with their reliability"

Spectra Stage & Event Technologies, Sweden

"I'm really happy with my TL-054 towerlifts and they have been used to install some really big exhibition stands. They enable me to save time. Also, most importantly for me is the quality of service from VMB"

Thierry Tabarin, PSB Sonorisation, Belgium

"Broadway Finland Oy has trusted VMB's capability and reliability when lifting sound and light equipments in all kind of events. We know that you must have the best quality in use to get everything running well. Our team has over 20 years experience lifting things so we know what we are talking about"

Jani Pellikka, Broadway, Finland





"What can I say about VMB towerlifts, robust, easy to set up and include a technological security system capable of reinsuring all professionals. They also have an excellent price/quality ratio"

Richard Pianetti, AUDIO TECHNIQUE, France

"What makes VMB towerlifts so competitive is their multi-purpose, simple use that goes from lifting a simple truss section to ground supporting a full ballroom draping truss system. We have recently ordered around 24 VMB towerlifts for our rental department and are very happy. You can easily store them, roll them to your truck and on site and they support up to 200Kg at 6.5m height"

Abderrazek Hakimi, TechnoPro, Middle East

"We have more than 30 years of working with Pro light & Sound so when the new VMB Towerlift came on the market we were more than satisfied with its capabilities. The VMB Towerlift proved to be very mobile with the smallest (only 1.7m high) fitting absolutely anywhere. We should not forget to mention the technical capabilities and safety features of the VMB towerlift which displays a variety of options working with lighting, audio and video equipment"

Jernej Podbesek, SST-d.o.o., Slovenia

"VMB Towerlifts offer Southern African users ultimate rigging flexibility in order to adapt to the growing live event market in the country. The superior engineering, quality and safety backed by excellent technical support and documentation makes VMB the product of choice when it comes to lifting towers"

Gustav Barnard, Stage Audio Works, South Africa

"For years we have been happy with VMB towerlifts, they come with high security and the very best quality"

Aculab Veranstaltungstechnik, Austria

"The motive for our decision to select VMB towerlifts was essentially for their quality, resistance and reliability, as well as assistance warranties provided by the brand/distributor. The de-

cision was taken after comparing several products and brands, achieving the final conclusion that the best offer for price/quality was VMB. We acquired both TL-078B and TE-076P and are really satisfied with the equipment as well as the service provided by the VMB distributor in Portugal, Merging Select"

João Pedro Flores, Corval Som, Portugal

"I just started last year to do professional service & hiring for lighting and audio equipment and it was pretty difficult to choose the right brand on the market. It had to be the best value for money and be tough enough for every day work. Now I can say I made the right decision when it came to VMB towerlifts. VMB will be my 1st choice for every future purchase without a doubt"

Oliver Bilan, OLIVER SOUND&LIGHT, Croatia

"We have been using VMB towerlifts for over ten years now. Rigid construction, high load capacity, high reach and market acceptance are the keywords that brought us to VMB. They get the job done, every time, everywhere"

Martijn van Thiel, Famous Music Entertainment, the Netherlands

"Over 19 feet of clearance from the ground, 320kg load capacity, This TL-A320 has never failed us since we got it 2 years ago. We have enjoyed a huge reduction in setup time. Easy to use and lastly, extremely secure. Clearly a winner"

Manny, LifeTone Group, Uyo, Nigeria

"VMB have provided touring companies in Malaysia with a solution for high quality lifts and for dealing with tight space constraints. Chan Lee Sound was the first user and now there are many professional companies including Synergy projects & Concepts, Discotech Systems, Soundworks AV, Hivolt, Psychoacoustic Sound. In a nutshell, all very happy users"

Steven Foong, SCA World Connection, Malaysia



TOWERLIFT RANGE

TECHNICAL SPECIFICATIONS

TELESCOPIC

	TE-034	TE-06	TE-064
Maximum height	3.8 m	5 m	5.35 m
Maximum load	125 Kg	125 Kg	125 Kg
Security	SAFETY CATCH	SAFETY CATCH	ALS
Work surface	1.5 x 1.5 m	2 x 2 m	2 x 2 m
Folded height	1.26 m	1.9 m	1.72 m
Weight	21 Kg	32 Kg	41 Kg
Winch	450 Kg	450 Kg	450 Kg
Adaptor	ø 35 mm	ø 35 mm	ø 35 mm

TL SERIES

	TL-054	TL-056	TL-072	TL-075	TL-078
Maximum height	5.45 m	6.5 m	6.5 m	6.5 m	8 m
Maximum load	220 Kg	200 Kg	240 Kg	300 Kg	280 Kg
Security	ILS	ILS	ALS	ALS	ALS
Work surface	2 x 2 m	2 x 2 m	2.2 x 2.2 m	2.2 x 2.2 m	2.2 x 2.2 m
Folded height	1.70 m	1.98 m	1.98 m	1.98 m	1.98 m
Weight	87 Kg	94,5 Kg	114 Kg	179 Kg	203 Kg
Winch	900 Kg	900 Kg	900 Kg	1200 Kg	1200 Kg
Load support	Forks	Forks	Forks	Forks	Forks

TL-A LINE ARRAY SERIES

	TL-A150	TL-A220	TL-A300	TL-A320	TL-A450
Maximum height	5.3 m	5.5 m	5.8 m	6 m	6 m
Maximum load	150 Kg	220 Kg	300 kg	320 Kg	450 Kg
Security	ILS	ALS	ALS	ALS	ALS
Work surface	1.7 x 1.85 m	2.1 x 1.6 m	1.9 x 2.1 m	2.25 x 2.15 m	2.2 x 2.1 m
Folded height	1.54 m	1.72 m	1.58 m	1.98 m	1.98 m
Weight	100 kg	95 Kg	165 kg	184 Kg	196 Kg
Winch	450 kg	900 Kg	900 kg	1200 Kg	1200 Kg
Load support	Forks	Forks	Forks	Forks	Forks

TE-071	TE-074	TE-076	TE-086
5.35 m	5.35 m	6.5 m	6.5 m
220 Kg	250 Kg	220 Kg	300 Kg
ALS	ALS	ALS	ALS
2.1 x 2.1 m	2.1 x 2.1 m	2.4 x 2.4 m	2.3 x 2.3 m
1.73 m	1.74 m	1.83 m	1.87 m
71 Kg	91 Kg	95 Kg	129 Kg
450 Kg	900 Kg	900 Kg	900 Kg
ø 35 mm	ø 55 mm	ø 35 mm	ø 50 mm



HDT-8
8.2m
350 Kg
ALS
2.11 x 2.57 m
1.98m
232 Kg
1700 Kg
Forks



VMB is continuously investigating and introducing innovations in order to improve the quality and the performance of its products. This is the reason why some characteristics described in this catalogue may change. A new product will always surpass the former model.

Pat. n°: 2143360
 Pat. n°: 6398445
 Pat. n°: 989027461
 Pat. Pen: 200501956

CE
 CERTIFICATIONS
 BGV C1 (GUV-VC1)
 2006/42/CE

PROLIFTS

PRO LIFTS S.L. *Pol. Ind. Picassent · Final Calle 7 · 46220 Picassent · VALENCIA (Spain)*

www.prolifts.es · info@prolifts.es

V1