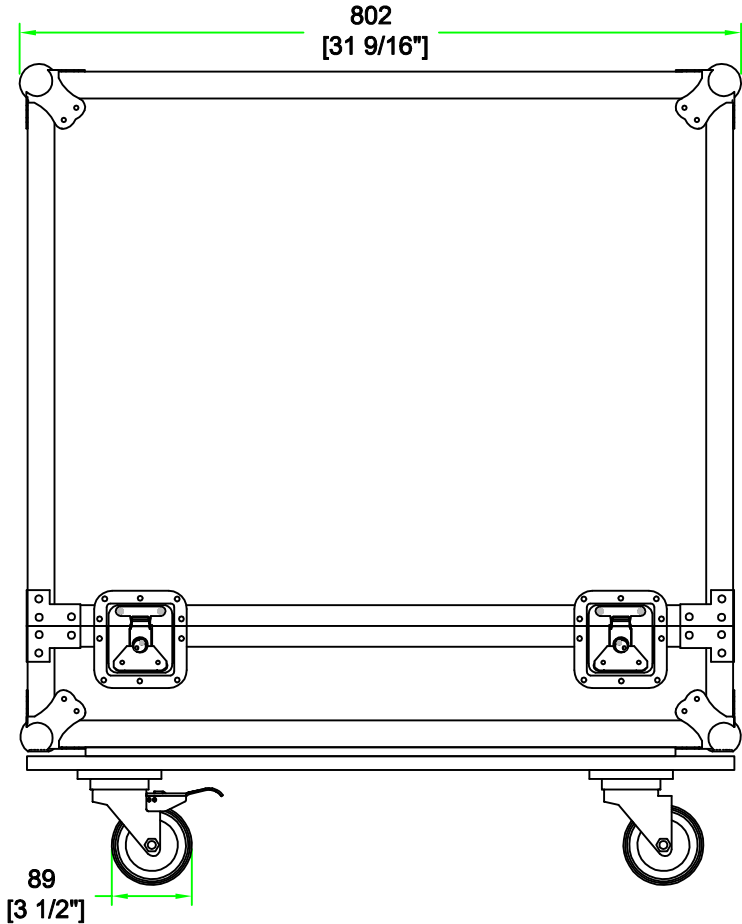
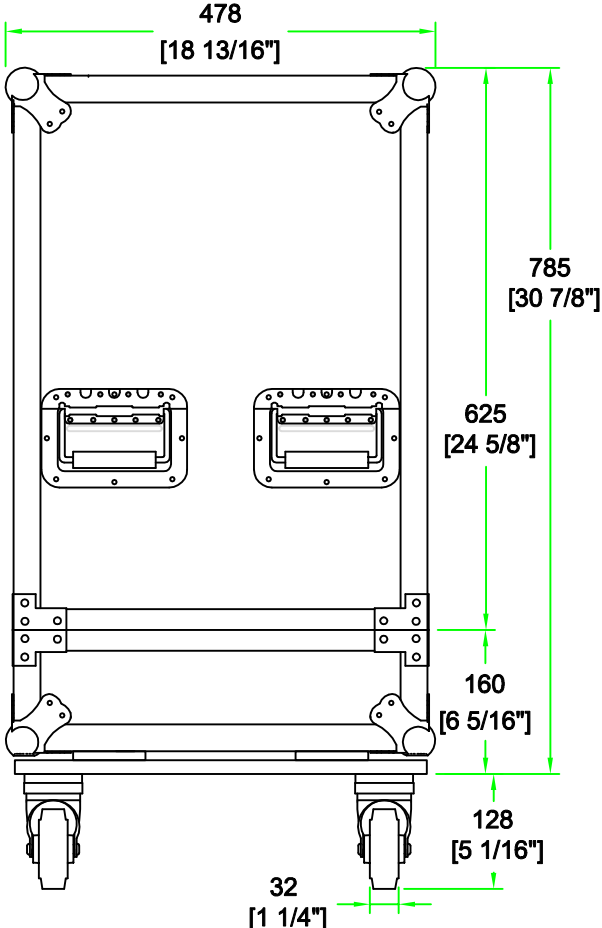


# RR2SPEAKER12



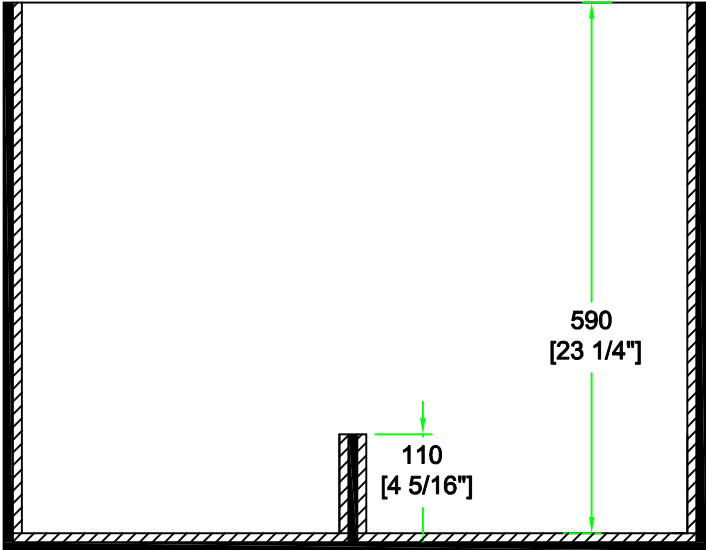
FRONT VIEW  
BACK VIEW



LEFT VIEW  
RIGHT VIEW

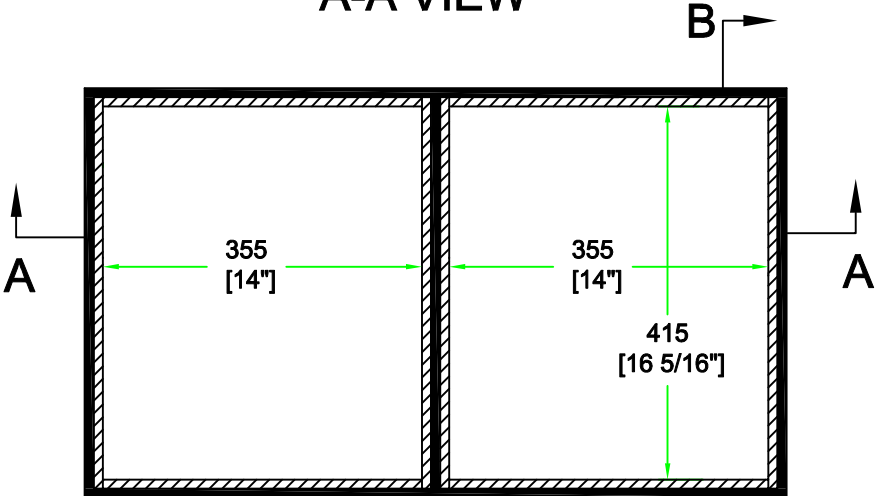
	SKU: RR2SPEAKER12	BY: ROAD READY CASES	
	UPC: NA	DATE:	
	APPROVAL SIGNATURE:	DATE:	
DRAWING DATE:	SCALE:	DRAWING NUMBER:	REVISION:
02 / 21 / 2024	1:8	1/3	NA

# RR2SPEAKER12

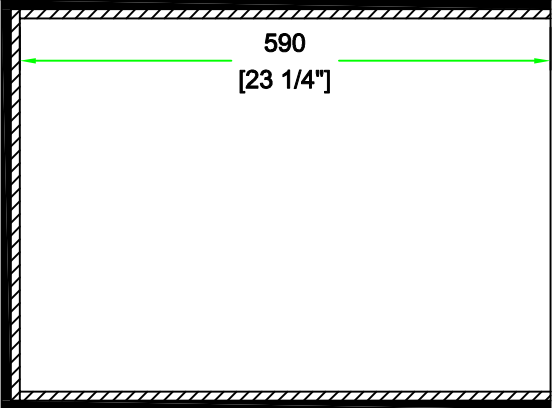


A-A VIEW

lined w/ 10mm EVA



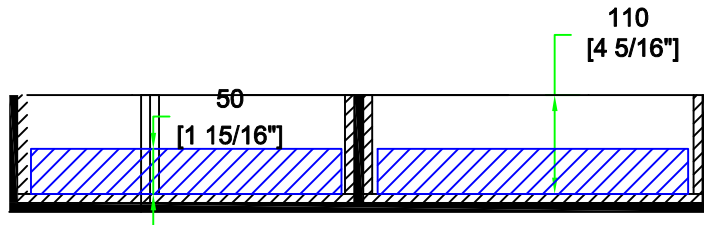
TOP VIEW OF COVER



B-B VIEW

	BY: ROAD READY CASES		
	UPC: NA	DATE: _____	
	APPROVAL SIGNATURE: _____		
DRAWING DATE: 02 / 21 / 2024	SCALE: 1:8	DRAWING NUMBER: 2/3	REVISION: NA

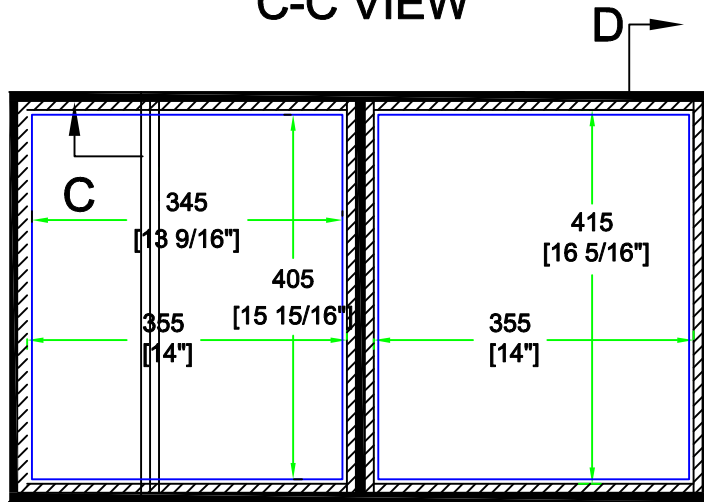
# RR2SPEAKER12



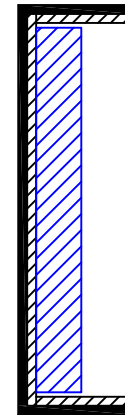
C-C VIEW

lined w/ 10mm EVA

removable hard foam (50mm thick):  
405\*345 x2 pcs



TOP VIEW OF BASE



D-D VIEW

	SKU: RR2SPEAKER12	BY: ROAD READY CASES
	UPC: NA	APPROVAL SIGNATURE: _____ DATE: _____
	DRAWING DATE: 02 / 21 / 2024    SCALE: 1:8    DRAWING NUMBER: 3/3    REVISION: NA	