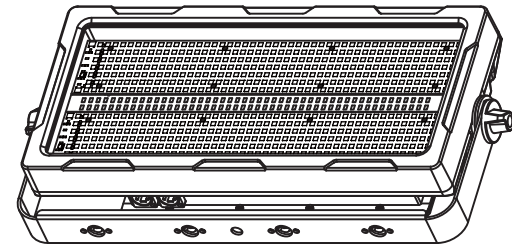




FOS Tornado Pro



User Manual

Please read the instruction carefully before use

59 DMX channels

Channel	DMX Value	Functions
CH1	0-255	Master dimmer 0-100%
CH2	0-255	White LED1 0-100%
⋮	⋮	⋮
CH9	0-255	White LED8 0-100%
CH10	0-255	White LED strobe from slow to fast
CH11	0-255	RGB Zone 1 Red 0-100%
CH12	0-255	RGB Zone 1 Green 0-100%
CH13	0-255	RGB Zone 1 Blue 0-100%
⋮	⋮	⋮
CH56	0-255	RGB Zone 16 Red 0-100%
CH57	0-255	RGB Zone 16 Green 0-100%
CH58	0-255	RGB Zone 16 Blue 0-100%
CH59	0-255	All RGB LED strobe from slow to fast

DMX Channel and Function List

12 DMX channels

CH1	0-255	Master dimming (0-100%)
CH2	0-255	Stroboscope(RGB) (Rate 0-100%)
CH3	0-255	Red (0-100%)
CH4	0-255	Green (0-100%)
CH5	0-255	Blue (0-100%)
CH6	0-255	Stroboscope(W) (Rate 0-100%)
CH7	0-255	White (0-100%)
CH8	0-9	No function
	10-255	RGB color 1-17
CH9	0-9	No function
	10-19	RGB Auto program1
	20-29	RGB Auto program2
	30-39	RGB Auto program3
	40-49	RGB Auto program4
	50-59	RGB Auto program5
	60-69	RGB Auto program6
	70-79	RGB Auto program7
	80-89	RGB Auto program8
	90-99	RGB Auto program9
	100-109	RGB Auto program10
	110-119	RGB Auto program11
	120-129	RGB Auto program12
	130-139	RGB Auto program13
	140-149	RGB Auto program14
150-255	RGB Auto program15	
CH10	0-255	CH9 Speed
CH11	0-9	No function
	10-49	White LED Auto program1
	50-99	White LED Auto program2
	100-149	White LED Auto program3
	150-199	White LED Auto program4
	200-255	White LED Auto program5
CH12	0-255	CH11 Speed

Caution!

Be careful with your operations. With a dangerous voltage you can suffer a dangerous electric shock when touching the wires!
 Keep this device away from rain and moisture!
 Make sure it is grounded when using it!
 Unplug mains lead before opening the housing!
 For your own safety, please read this user manual carefully before you initial start-up.

Introduction

Thank you for having chosen this Item. You will see you acquired a powerful and versatile device. Unpack your item. Before you initial start-up, please make sure that there is no damage caused by transportation. Should there be any, consult your dealer and do not use the device.

What's included

1 x FOS Tornado Pro + 1 x Power Cord + 1 x Signal cable + 1 x User Manual

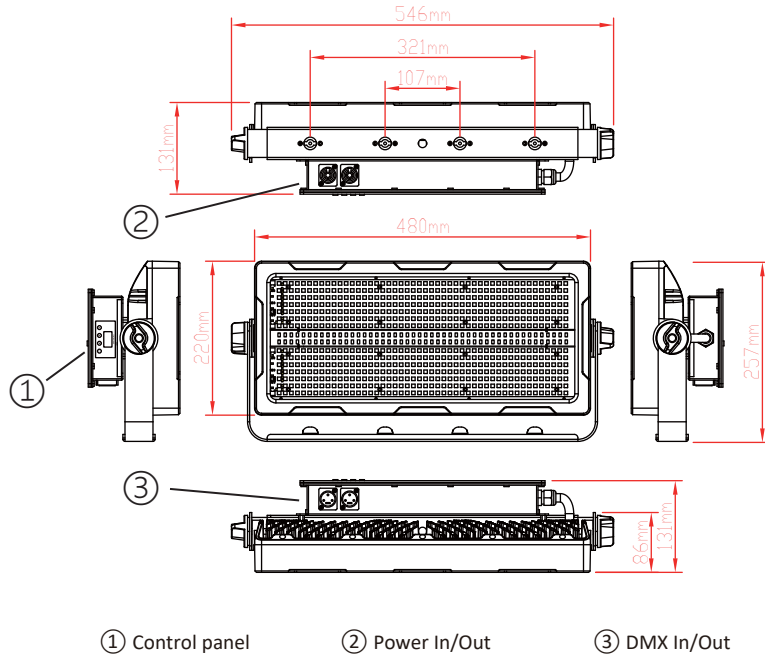
Safety instructions

This device has left our premises in absolutely perfect condition. In order to maintain the condition and to ensure a safe operation, it is absolutely necessary for the user to follow the safety instructions and warning notes written in this user manual. Always disconnect from the mains, when the device is not in use or before cleaning it. Keep away children and amateurs from the device! There are no serviceable parts inside the device.

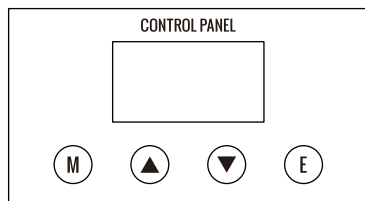
Specifications

Voltage: AC 100-240V 50/60Hz
 Power consumption: 400W
 Source: 96*5W cool white LEDs, 8 zones
 672*0.3W RGB SMD LEDs, 16 zones
 Beam angle: 120°
 LED Lifespan: 50,000 hours
 Operating modes: DMX, Auto, Manual, Master/Slave
 DMX channels: 12/59ch
 Signal connectors: 3pin XLR In/Out IP65, Seetronic
 Power connectors: PowerCon In/Out IP65, Seetronic
 IP rating: IP65 for indoor and outdoor use
 Dimensions: 546 x 257 x 132 mm
 N.W: 9.5kg
 G.W: 12kg

Product overview



Control Panel



Menu Up Down Enter

[MENU] Main menu to select or return to the previous menu

[UP] Menu selection or parameter increase

[DOWN] Menu selection or parameter decrease

[ENTER] OK / enter or select sub menu

Menu Map

