



Visit product page



## HT34-100

L005025

100cm HT Truss is defined by the quick connection system. 50x3 mm tubes , 20x2 mm braces, (4x pins, safety clips & couplers included), TUV approved , Made in Europe.

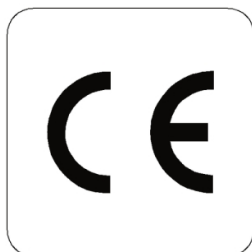
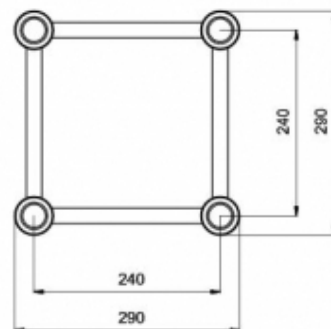
### PHOTOS

#### LOADING TABLES HT34

	2m	4m	6m	8m	10m	12m
Dead Load (kg/m)	143.0	237	284	333	379	427
Deflection (mm)	1.7	13.5	33.2	59.8	93.9	134.8
Point load (kg)	2680	1566	1033	771	607	491
Deflection (mm)	2.7	11.7	26.7	46.3	76.2	116.1
	6.66m	13.32m	19.98m	26.64m	33.30m	40.00m
Dead Load (kg/m)	954.3	476.1	211.2	129.7	81.3	56.1
Deflection (mm)	0.1	0.5	1.9	2.4	3.7	5.5
Point load (kg)	6262.2	3061.5	2211.8	1700.1	1308.4	1002.7
Deflection (mm)	0.1	0.5	1.1	1.9	3	4.3



#### SIZE IN MILLIMETERS



[www.fos-lighting.eu](http://www.fos-lighting.eu)



