



**ADMIRAL  
STAGING**

Mount your equipment quickly and reliably onto keder profiles of all sizes.

# SHARK<sup>®</sup> KEDER CLAMP

The Shark is an innovative clamp designed for quickly and easily mounting equipment onto keder profiles. The Shark can be used to create a hanging point on tent profiles, where no other attachment is possible. With its weight load limit of 200kg, it ensures a secure and reliable installation of your equipment, even for heavier loads such as hoists and truss.



## KEY FEATURES

### Constant ELL

The Shark maintains a constant maximum load capacity of 200 kg regardless of the width of the beam.

### Centric load

Smartly designed to always allow a centric load, unlike conventional clamps where the load is rarely centric due to the adjustments required to fit different beam sizes.

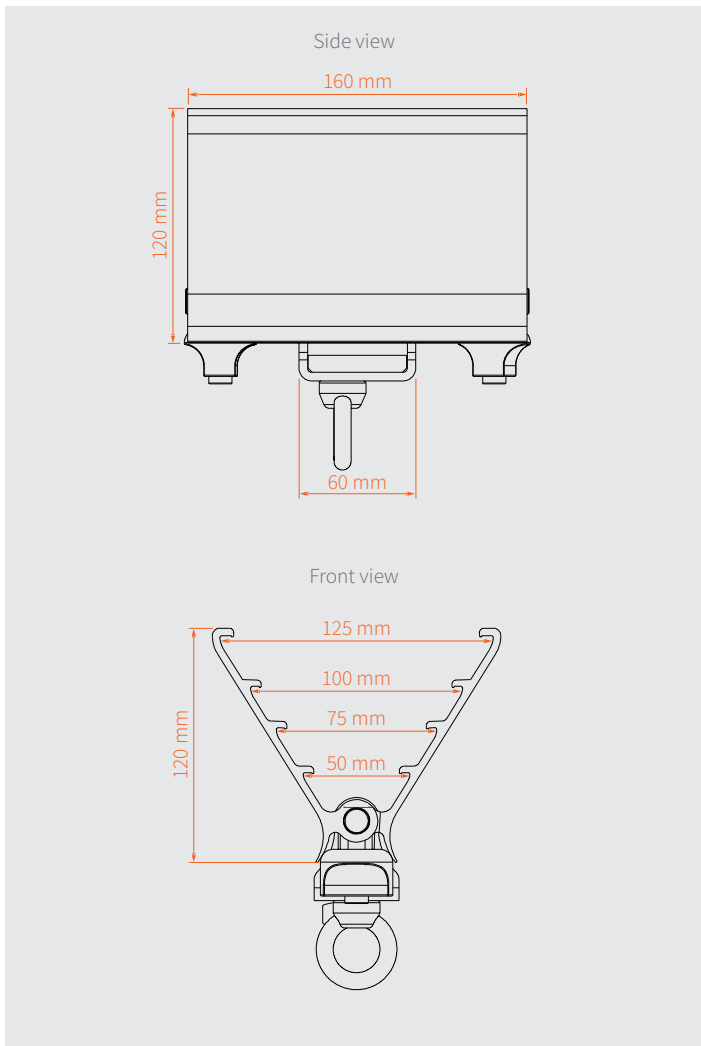
### Quick assembly

Fast and easy assembly thanks to the spring loaded clamp.

© Design registered in the EU and UK

[www.admiralstaging.com](http://www.admiralstaging.com)

## DIMENSIONS



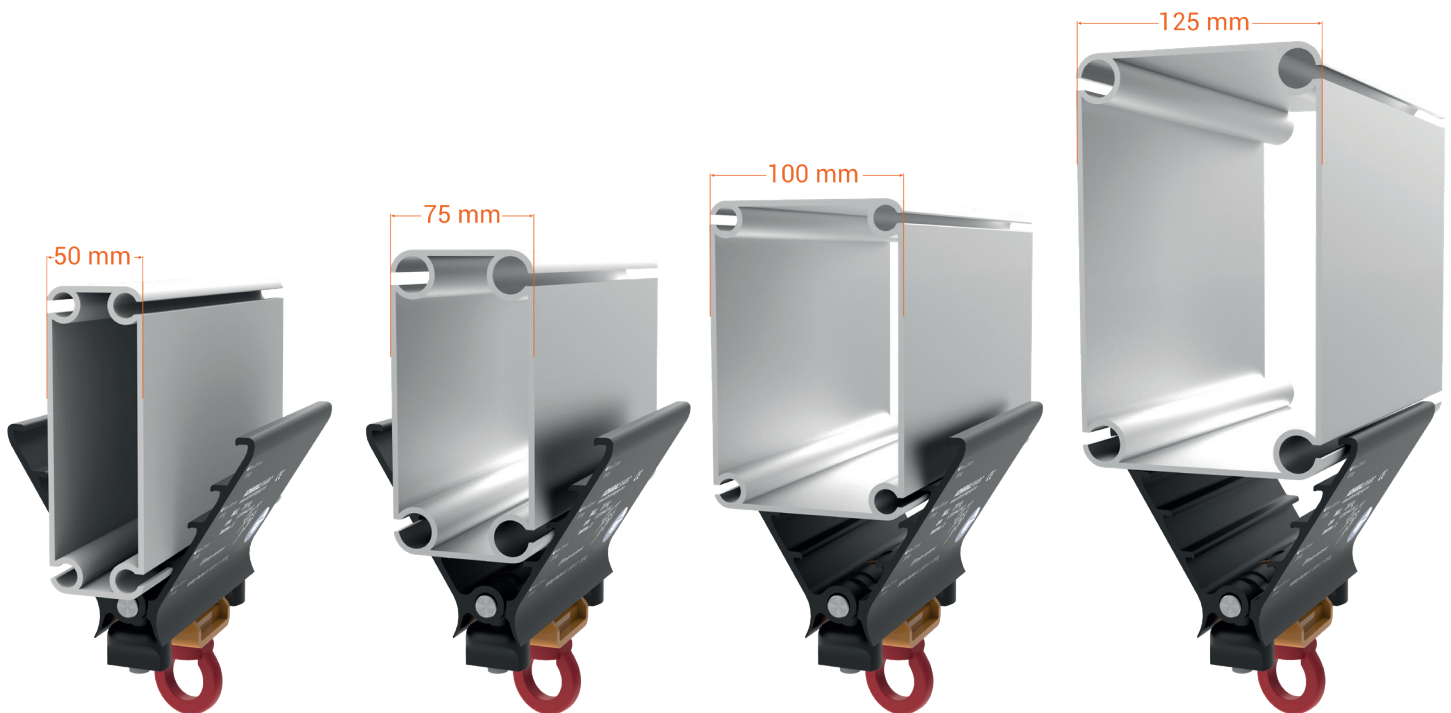
## TECHNICAL DATA

### Shark®

Article code:	RIHASH04
EAN:	8720094427812
ELL:	200 kg (2000 N)
Safety factor against failure:	8:1
Static test coefficient:	1,5: 1
Material: Shark:	aluminium anodized
eye bolt:	steel
Dimensions:	160 x 40 x 160 mm (L x W x H)
Weight:	2.3 kg
Colour: Shark:	black
eye bolt:	red



© Design registered in the EU and UK



**ADMIRAL**  
STAGING

| [www.admiralstaging.com](http://www.admiralstaging.com) | Josink Kolkweg 10 | 7545 PR Enschede | The Netherlands | Tel: +31 53 4 301 201 |