



SUITABLE FOR
SPEAKERS UP
TO 25KG

BT77

ULTRAGRIP PRO™ SIDE-CLAMPING SPEAKER WALL MOUNTS WITH TILT AND SWIVEL (PAIR)



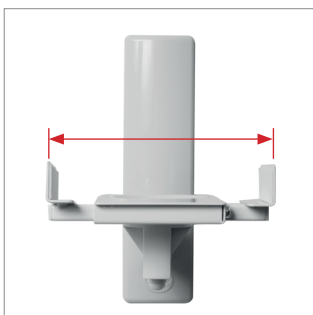
Suitable for most speakers including curved front types, the BT77 wall mount features a padded, adjustable side clamping design which grips medium to large sized speakers without marking them. The mounts are easy to install with tilt and swivel adjustments that allow for optimal speaker positioning once mounted. Supplied in pairs, the BT77 also includes cover plates for a neat and tidy finish.

SPECIFICATION

Max load	25kg
Adjustable clamp size	135mm - 280mm
Tilt	+/-10°
Swivel	360°
Colour	Black or White

FEATURES

- Adjustable clamp to accommodate larger speaker sizes
- Side-clamping design is padded and does not mark the speaker
- A safety strap (not included) can be added to the clamp for extra security
- Tilt and swivel adjustment allows perfect positioning
- Can also be mounted directly to System X vertical columns or onto B-Tech collars for pole mounting
- Supplied with cover plate and screw cap for a neat and tidy finish
- Integrated cable management
- Quick and easy installation with keyhole mounting
- All mounting hardware included
- Supplied in pairs



Adjustable clamp to accommodate larger speaker sizes



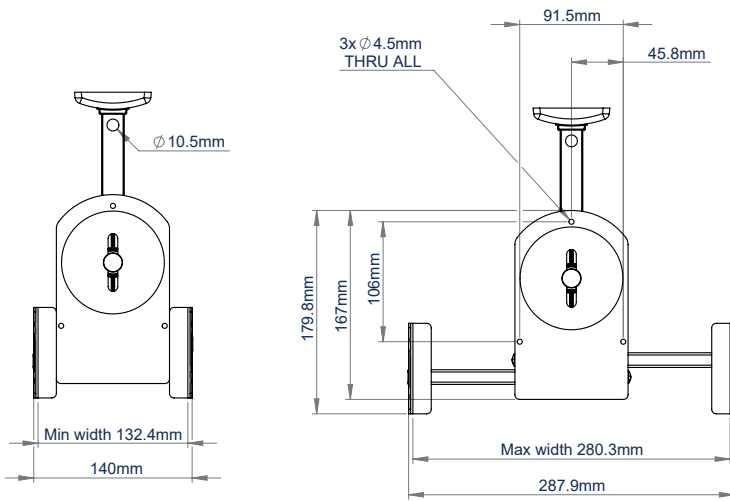
Tilt and swivel adjustment allows perfect positioning



Side clamping design, suitable for curved front speakers

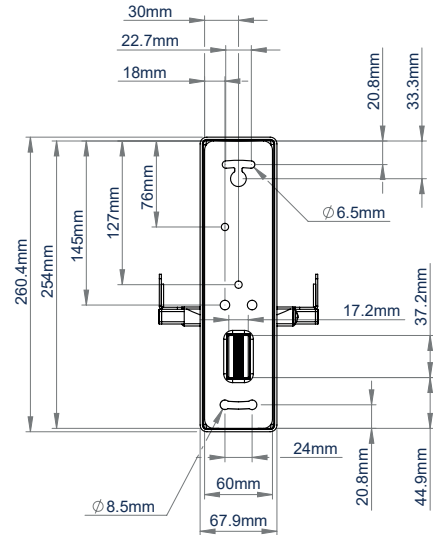


Available in Black or White. Supplied in Pairs.

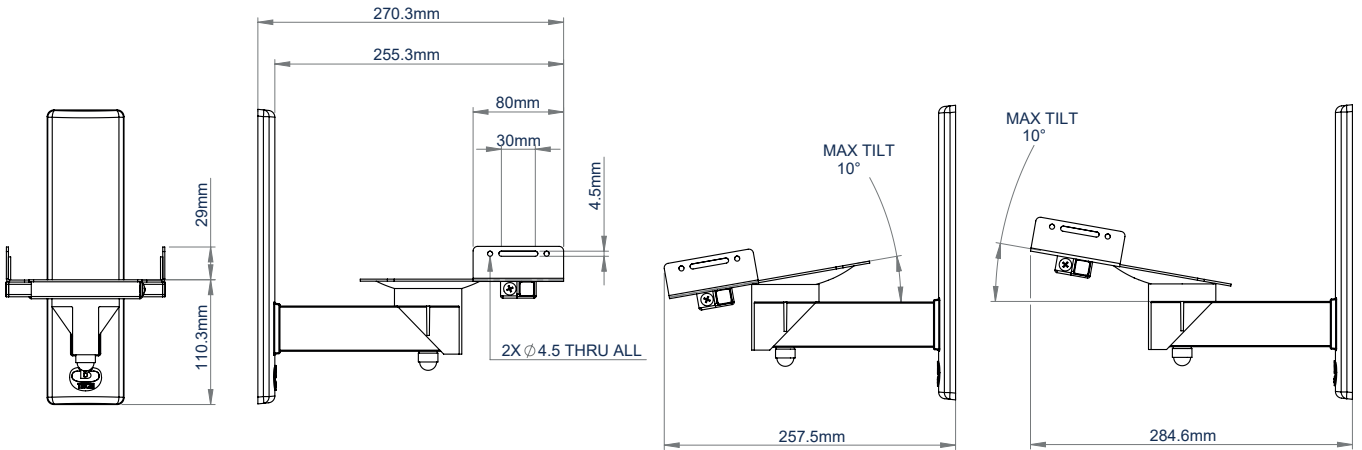


TOP VIEW - MIN WIDTH

TOP VIEW - MAX WIDTH



REAR VIEW



FRONT VIEW

SIDE VIEW

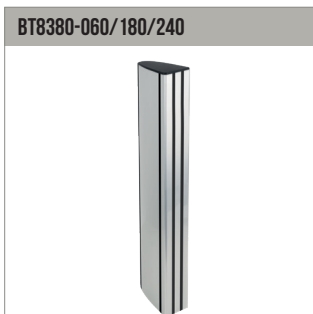
SIDE VIEW - TILT DOWN

SIDE VIEW - TILT UP

PACKING INFORMATION

COLOUR:	ORDER REF:	EAN CODE:	MASTER CARTON QTY:	INNER CARTON QTY:	MASTER CARTON WEIGHT:	MASTER CARTON CUBE:
Black	BT77/B	5019318047701	4	0	12.1kg	0.80cbm
White	BT77/W	5019318049033	4	0	12.1kg	0.80cbm

ACCESSORIES AND RELATED PRODUCTS



BT8380-060/180/240
Vertical Support Columns for freestanding, mobile or bolt-down screen mounting



BT606
Atlas Speaker Stands - Height 60cm designed for speakers up to 35kg



BT332
Speaker Wall Mounts designed to mount home cinema speakers up to 5kg



BTV914
Universal Soundbar Mount designed to mount soundbars up to 10kg to the back of the screen

© 2019 B-Tech Mounts of Design & Manufacturing Ltd. All rights reserved.
The information in this specification is for reference only. It is not intended to be used as a substitute for the manufacturer's instructions. B-Tech Mounts of Design & Manufacturing Ltd. is not responsible for any damage or injury caused by the use of this specification. For more information, please contact B-Tech Mounts of Design & Manufacturing Ltd. at 01203 2540921.