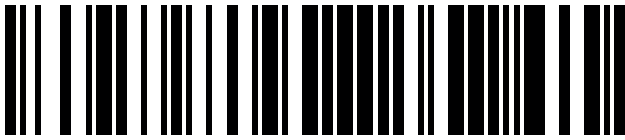


SET OF 2 U-BOLTS

RIGROPHP



Admiral Staging the Netherlands
www.admiralstaging.com +31 534 301 201

SCOPE

To be used in combination with: Admiral Lifting bracket to hoist 30 truss (square or triangle) in a fixed installation and/ or Admiral Mounting bracket to hang 30 truss (square or triangle) on the ceiling.

MAINTENANCE

- Check the U-Bolts regularly for corrosion: corrosion can negatively affect the strength
- Locking nuts may be used only once. After use replace them by equivalent ones.
- If necessary, clean with a dry cloth. Do not use corrosive detergents.

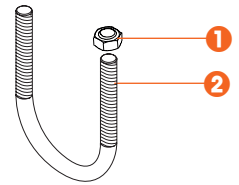
! WARNING

Inspect this product before use. By wear and/or missing of the proper components this product should be immediately taken out of service. Consult your supplier for advise.

Repair / maintenance is only permitted by a qualified person. In case of doubt, consult your supplier.

CONTENT

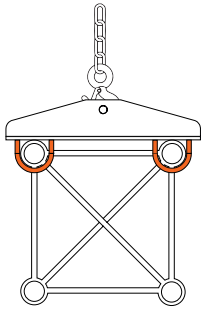
- 1 4 x M8 nut nyloc black
- 2 2 x U-Bolts 51 x 75 mm M8



USE

Lifting bracket

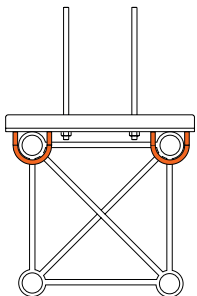
Use the U-Bolts in this set in combination with the Lifting bracke.



For a fixed installation it is recommended to permanently attach the lifting bracket to the truss. This can be done by placing the U-Bolts around the main beams of the truss and to fix them to the lifting bracket by means of the supplied self-locking M8 nuts.

Mounting bracket

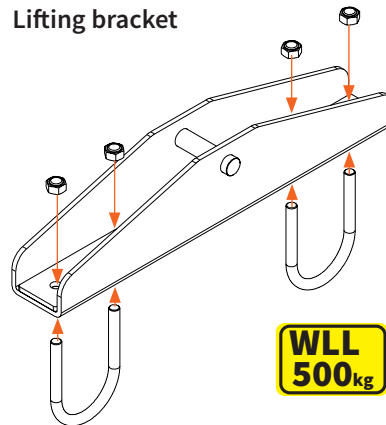
Use the U-Bolts in this set in combination with the Mounting bracket bracket.



With this bracket you can hang a truss 30 (square or triangle) on the ceiling. Three holes in the middle of the bracket provide access to assemble a threaded rod.

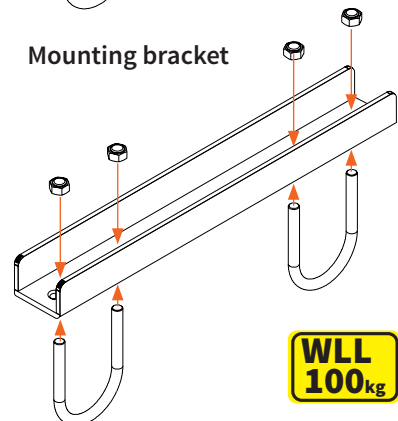
INSTALLATION

Lifting bracket



WLL
500kg

Mounting bracket



WLL
100kg

! WARNING

Always secure with self locking nuts.

While applying to the truss, make sure the nuts are sufficiently tightened (26 mN).

! DANGER

In case of operations above persons.

The lifting brackets may only be used for lifting and hoisting above persons if the aforementioned precautions are taken: Only secure with self locking nuts and a maximum load up to 0.5 X WLL



Download and read the full manual about our Lifting bracket before use: admiralstaging.com