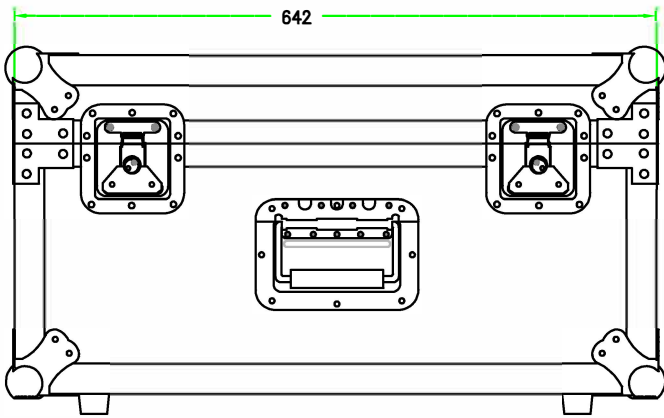
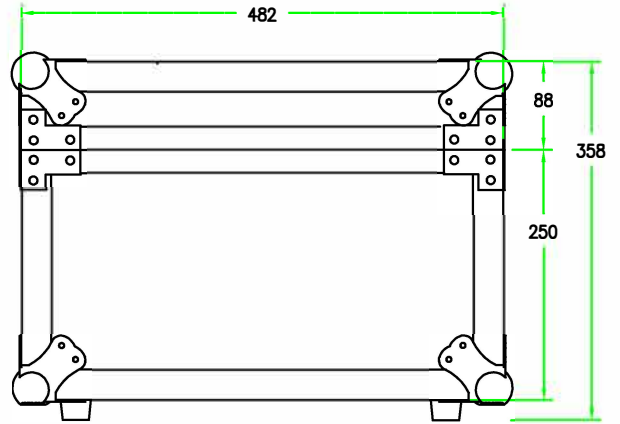


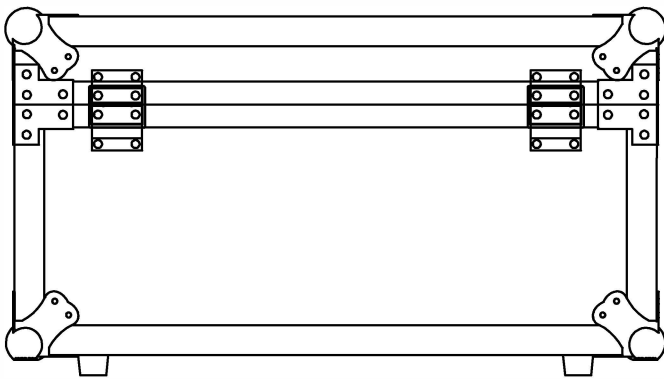
# RRC-RRFC2-610X450X300



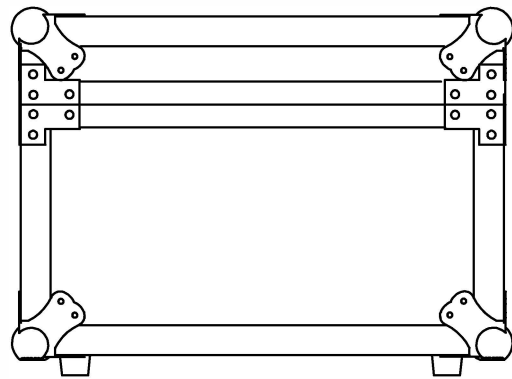
FRONT VIEW



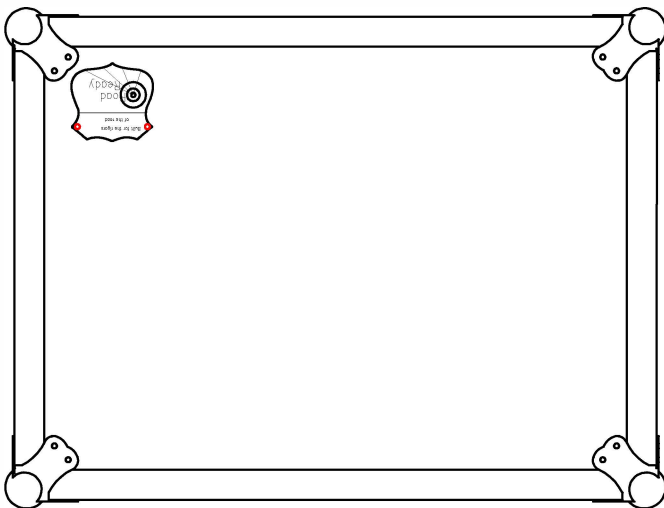
LEFT VIEW




BACK VIEW



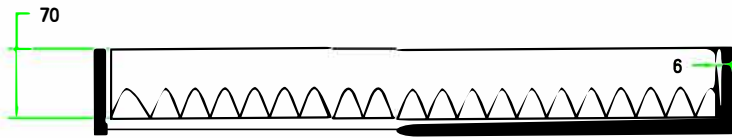
RIGHT VIEW



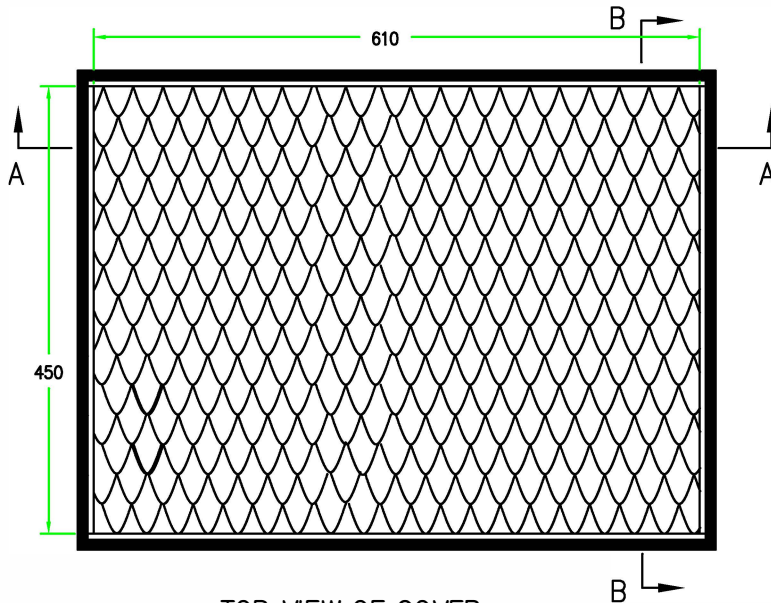
TOP VIEW

	SKU : RRFC203	BY:	
	UPC : NA	ROAD READY CASES	
	APPROVAL SIGNATURE:	DATE:	
DRAWING DATE:	SCALE:	DRAWING NUMBER:	REVISION:
08 /26 / 2023	1:7	1/2	NA

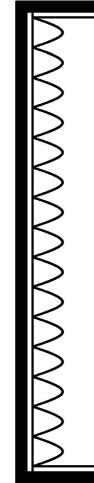
# RRC-RRFC2-610X450X300



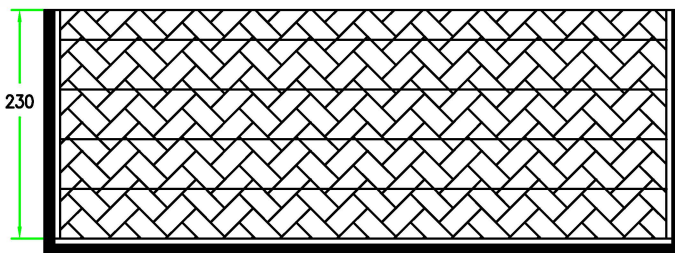
A-A VIEW



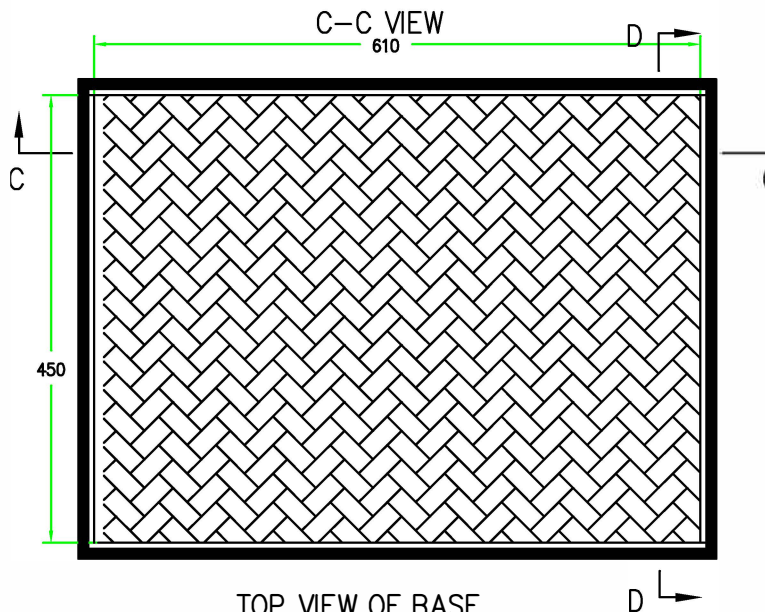
TOP VIEW OF COVER



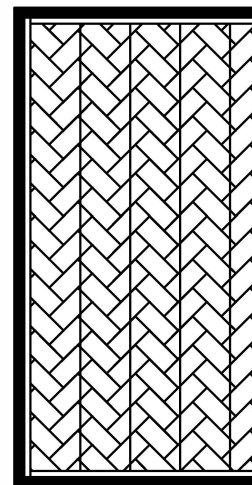
B-B VIEW




Lined w/ 6mm EVA on sides  
and filled w/ 4 pcs of 50mm and  
1 pc of 30mm pick-fit foam



TOP VIEW OF BASE



D-D VIEW

	SKU: RRFC203	BY:	ROAD READY CASES
	UPC: NA	DATE: / /	
APPROVAL SIGNATURE: _____		DATE: / /	
DRAWING DATE:	SCALE:	DRAWING NUMBER:	REVISION:
08 / 28 / 2023	1:7	2/2	NA