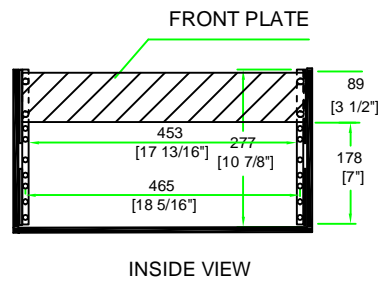
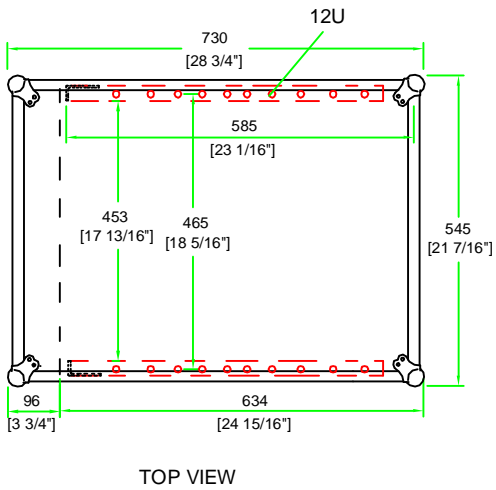
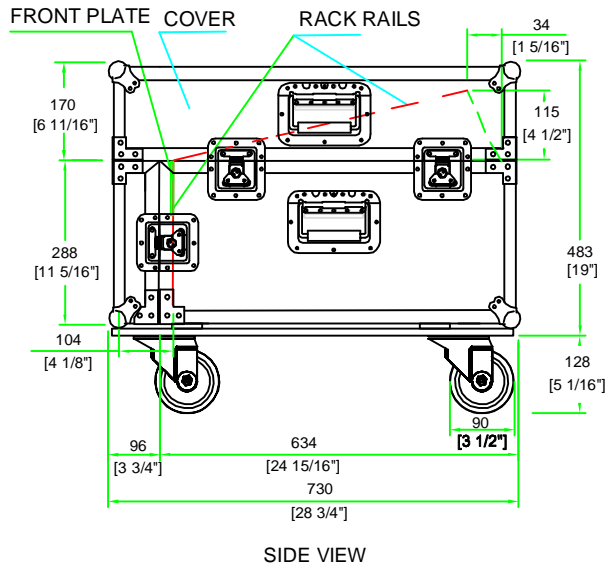
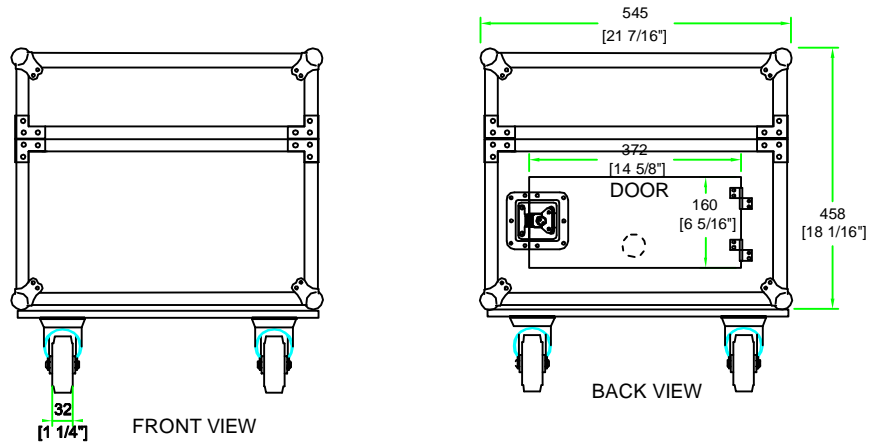


# RR12M4UC



\_\_\_\_\_  
Signature of Approval

\_\_\_\_\_  
Printed Name