

PROCAB

CONTRACTOR SERIES™ HDMI DIY CABLE

A Guide to Creating Solderless HDMI Cabling using the Contractor Series products



The PROCAB HDMI Do-It-Yourself Cable is a unique technology for creating your own HDMI cable.

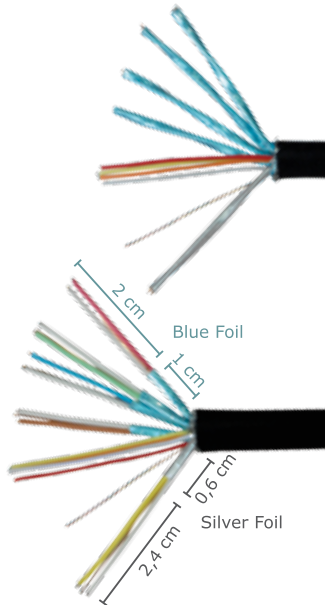
The HDMI cable consists out of **5 twisted pairs, 4 separate wires + drain wire** (used for grounding). The twisted pairs are surrounded by aluminium foil. (4 blue and one silver).

The four blue colored pairs are meant for Transition Minimized Differential Signaling (TMDS), the twisted pair with silver aluminium foil is for Ethernet and Audio Return Channel (HEAC).

STEP 1: Prepare The Cable

1 Strip the cable jacket for about 3 cm and remove the outer metal braiding.

2 Remove about 2 cm aluminium foil around the five twisted pairs. It's important to keep 1 cm blue aluminium foil around the twisted pairs. You need to be able to recognize the different pairs & wires in the next step. Remove the silver foil so that only 6mm of silver foil is left.



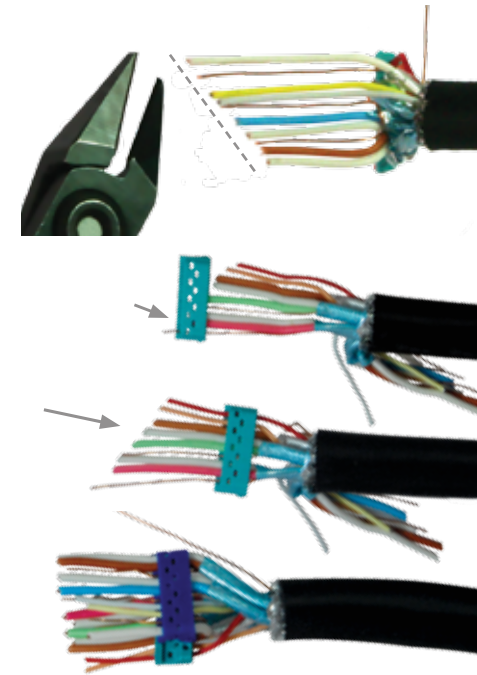
STEP 2: Insert Wires

1 Arrange the wires for the GREEN 9-hole cableholder, like shown in the **pin-assignment table below**. Pay Close attention: Mis-wiring will lead to product failure!

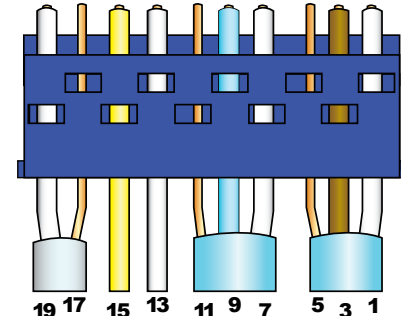
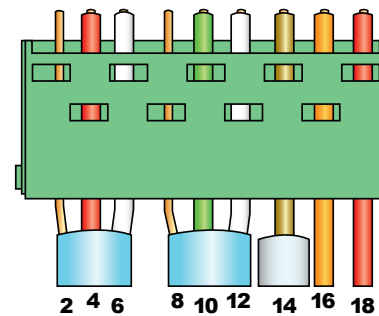
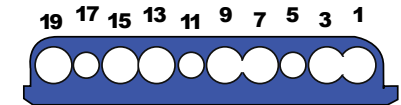
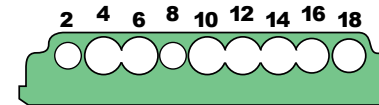
2 Hold the wires in the correct position and cut them at an angle for easy insertion.

3 Insert the wires into the green holder. Check the position with the chart below.

4 Repeat these steps for the BLUE 10-Pin Holder. After completing this step, keep the two holders in alignment. Slide them against the foil wrapping so they are on top of each other.



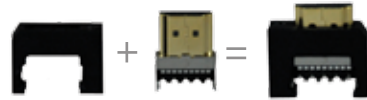
Pins	2	4	6	8	10	12	14	16	18
Wire Color	Twisted Pair with Red Wire			Twisted Pair with Green Wire			Yellow/Brown of Silver twisted pair	Orange	Red
	Drain	Red	White	Drain	Green	White			



Pins	19	17	15	13	11	9	7	5	3	1
Wire Color	Silver Twisted Pair		Yellow	White	Twisted Pair with Blue Wire			Twisted Pair w Brown Wire		
	White	Drain			Drain	Blue	White	Drain	Brown	White

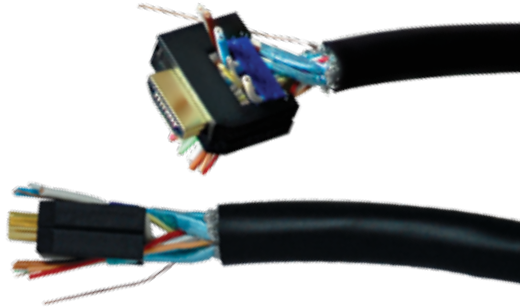
STEP 3: Compress Cable to Connector

① Place the HDMI connector into the guiding jig (the black piece).

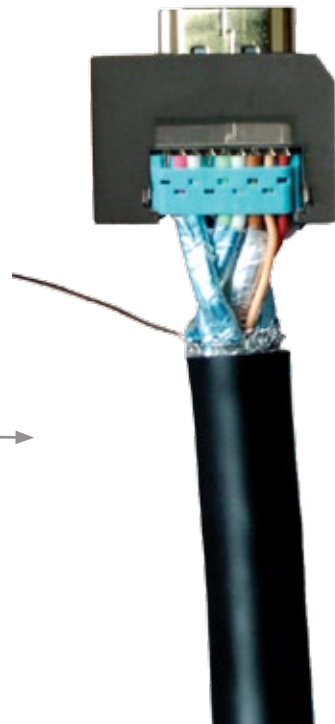


② Push the blue and green holder into the guiding jig.

- The 10-pin blue holder is for the wide 10-pin side of the connector.
- The 9-pin green holder is for the bottom narrow 9-pin side of the connector.



③ Use the assembly tool to attach the holder to the connector permanently. Compress the tool. Excessive wiring will be cut off automatically. This process and its result are shown below.



STEP 4: Final Assembly

① Remove the connector from the black guiding jig.



② Place the connector + cable inside the bottom half of the metal shell. The Green holder is facing the top.

③ Fasten the cable onto the shell with the metal belt and screw, but first attach the remaining drain wire (**Grounding**) under the belt. **Cut off the drain wire** 1 cm after the bridge.



④ Install the upper half of the metal shell and fix with the available screws. Be sure to keep the wires clear from the screwholes.



STEP 5: Test Cable

It is advised to **test the cable** with the Procab CTV900 HDMI Cable portable tester.

Additional Notes

This connector is only designed for use with appropriate PROCAB HDMI cables. Using this connector with any other cables may result in failure or damage your system. PROCAB is not responsible for possible injury, damage or misuse of the product.

If you have any questions regarding the install proces, use or maintenance of your installation, please contact products@procab.be for further instructions.