



Visit product page



FOS HYDOR BEAM

L005607

Innovative outdoor IP66 Beam moving head , MSD Platinum Flex 380 watt, Total Output (Lumen)120.000, 7200K, CRI 80Ra, beam angle 2°, variable focus with range from 5m to infinity, 2 prisms, 8-facet, 16-facet controllable independently can produce 24 facet prism effect, frost filter, Fixed gobo wheel: 12 gobos + open, Color wheel: 14 colors + open, Control channels (DMX): 15/12/16, DMX-512 RDM, durable die casting aluminum, 24 kg.

TECHNICAL DETAILS

Light source / Optics

Light source: PHILIPS MSD Platinum Flex 380watt

Expected lifetime: 6000 hours.

Color temperature: 7200K.

CRI \times Ra \geq 80

Effects

0-100%, mechanical dimming

Beam angle: 2°

High-precision glass lenses, electronic linear HD focus.

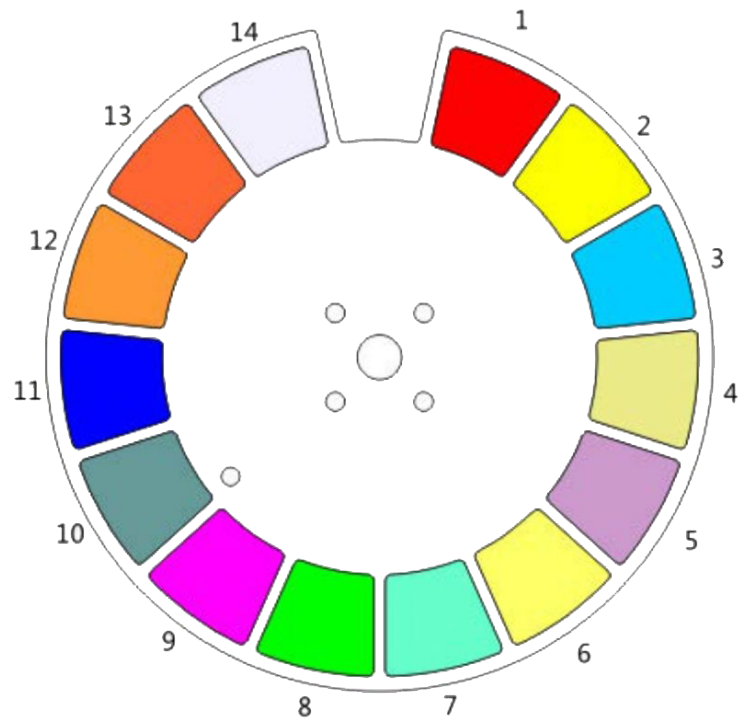
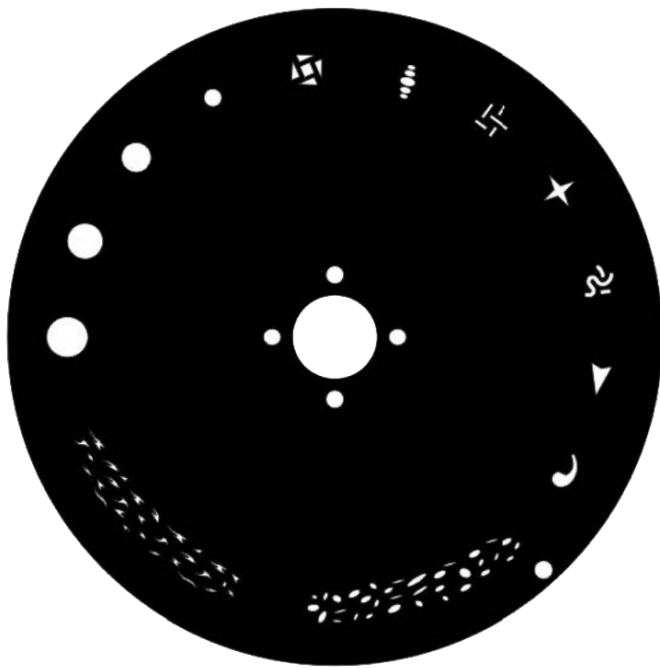
Fixed gobo wheel with 12 gobos plus open (includes beam reducers and 'animation effect').

Color wheel with 14 dichroic filters plus open, with rainbow and split colour capability.

2 combinable prisms: 1x 8Facet and 1x 16Facet, prism combination can produce 24 prism effect.

Frost: 1-independent frost effect

High speed strobe, 1-25hz random strobe, pulse strobe from slow to fast, synchronous and asynchronous strobe



Control

Protocol: DMX-512 RDM

Control channels (DMX): 15/12/16

LCD display for accessing the options menu.

DMX data input/output: Chassis 3-pin (in/out)

Installation / Dimension details

IP66 protection against dust and water / humidity.

Power supply: 220, 240 Volt AC, 50/60 Hz.

electronic Ballast

Power consumption: 580 Watt, max. current draw 2,9A, power factor 0,99.

3pin XLR for DMX512 connection.

True powercon input/output

Chassis made of die casting durable aluminium, steel and plastic.

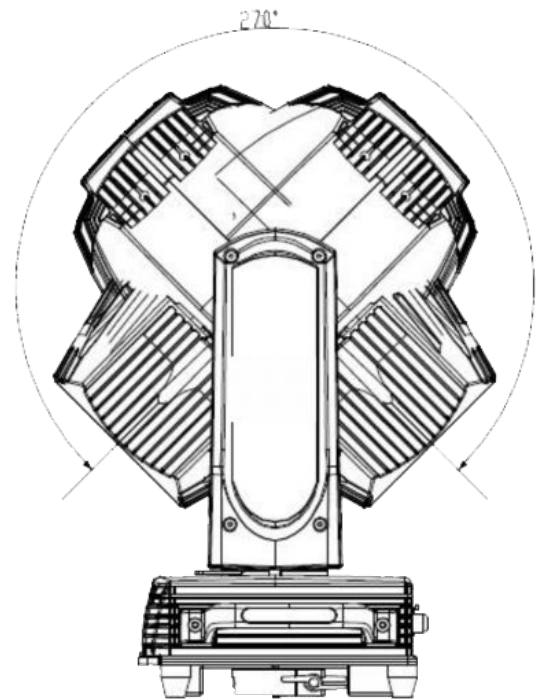
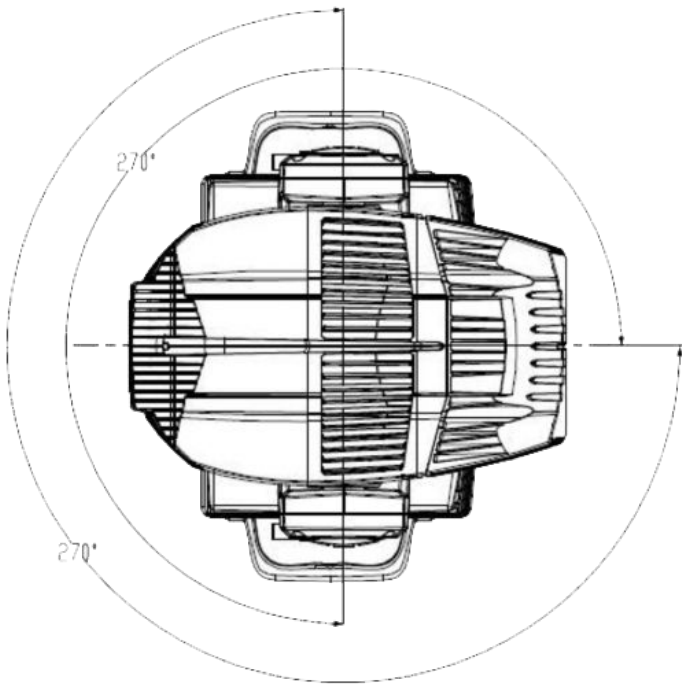
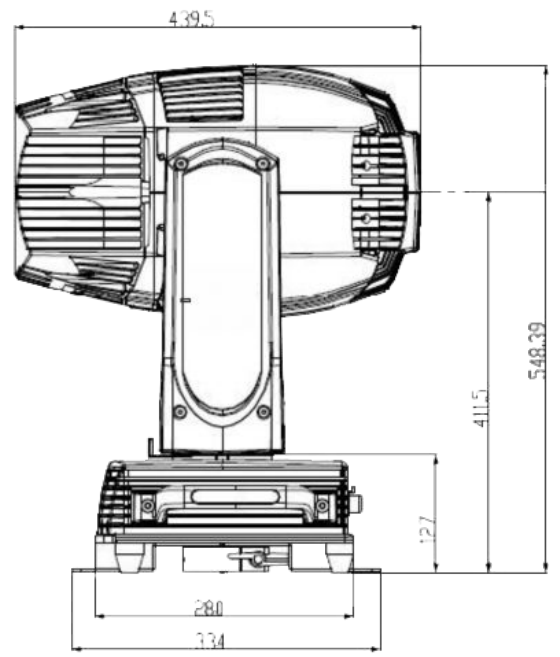
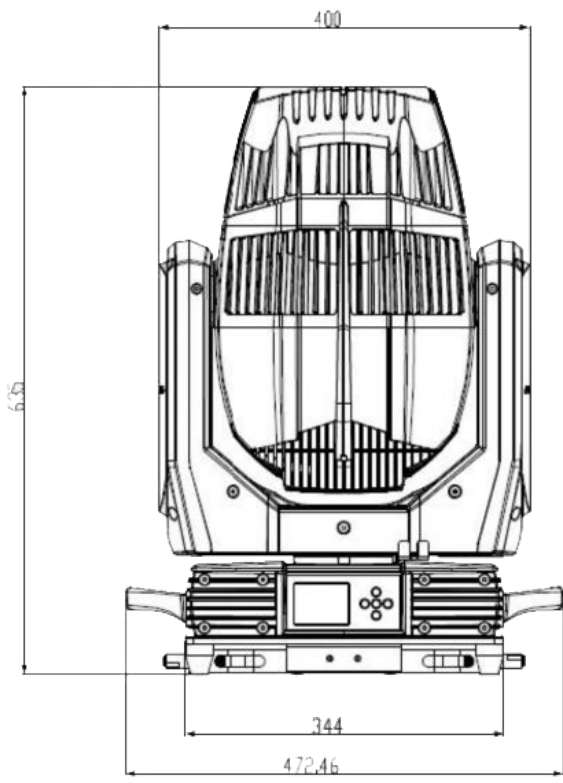
Operation temperatures: -15°C to +45°C.

Storage temperatures: -40°C to +60°C.

Weight: 24 Kg.

Dimensions: 676 mm H x 473 mm W x 304 mm D.

Hydor Beam can be sold only packed in double flight case as pair



PHOTOS



PRODUCT VIDEO



ACCESSORIES



FOS Double Case HYDOR BEAM

Double case with wheels
for 2 pcs HYDOR BEAM.



www.fos-lighting.eu

