


FOS TV FRESNEL WW

L005614



CE RoHS

User Manual

 Please read this user manual before using this product!

Keep it for further reference!

FOS technologies

Caution

- Unqualified person involved with installation, operation and maintenance of this device is prohibited
- If any above mentioned problem happened, or unknown problem happened, please contact manufacturer or distributor for assistance.

INDEX

I PRODUCT MAIN FEATURES 01

II OVERVIEW AND DIMENSIONS 02

III SAFETY INFORMATION 02

IV POWER CONNECTION 03

V CONTROL PANNEL 05

VI DMX PROTOCOL 06

VII COMMON INSTRUCTION 06

VIII TECHNICAL SPECIFICATION 07

IX APPENDIX 09

Innovation, Quality, Performance, Achieving Users' Value!

- Light visor: optional
- IP rating: IP20
- Housing material: aluminum alloy
- Working temperature: -25~40centigrad degree

IX APPENDIX

Problem and solution

Problem	Reason	Resolution
Device not work	No power	AC100-240V, 50/60Hz Check the power connection, and make sure device connect the mains in well condition. Check if the fuse is good.
LED Bulb is off	LED bulb damaged	Replacing LED bulb
	LED drive board damaged	Replacing LED drive board
	Temperature switch damaged	Replacing temperature switch
Fans not work	Fans damaged	Replacing fans

If you want to set the ID address for the light, press MENU until the display shows d001 , then press UP or DOWN button to set the address value, press ENTER to confirm the setting;

Open or close the strobe function: press MENU button until the display shows d001 , then press MENU button four times until the display 2nd, 3rd, 4th number shows --1 , the strobe function will open, then press the ENTER to confirm the setting. When the display 2nd, 3rd, 4th number shows --0 , the strobe function will close, press ENTER button to confirm the setting;

This light is only for indoor use, when you install it by hanging, please use the safety cable to ensure the safety.

If you have any questions, please contact with our sales manager.

VIII TECHNICAL SPECIFICATION

- Input power: AC100~240V, 50/60Hz
- Power consumption: 250W
- Light sources: 100W brand COB LED Lamps
- LED lifespan: 50,000hours
- Dimmer: 0~100%, 0-15% smoothly dimmer
- Beam angle: 15-60degree
- Color rendering index: ≥ 92 Ra
- Color temperature: 3200K to 6500K optional
- Control mode: DMX-512
- DMX channel: 1CH
- Focus: manual focus adjustable

Thank you for using our product! Please read this manual carefully and completely. For technical reference in future, please keep this user manual well. This user manual contains all installation and operation information of this LED Studio Focalize Light, it's very useful for user to install and operate the light. Please strictly abide by the relevant instruction for the installation and operation.

This light has very beautiful appearance. Based on the LED Film and Television Flat Light Technology, using high brightness COB LED chips beads matrix arrangement of large area, through the whole aluminum shell to realize heat dissipation naturally, we have designed this light. This light has high brightness, good head dissipation, ultra-quiet and other features. It can satisfy the requirement of indoor movie filming for the lighting layout. It is a good substitute of the traditional Fresnel spot light, which is very suitable for the studio room, TV station, Meeting room, stage, show and other entertainment places.

This light meets the following criteria:

GB7000.1-2007/IEC60598-1:2003

GB7000.217-2008/IEC60598-2-17:1984+A2:1990

I PRODUCT MAIN FEATURES

The light's lighting function is controlled by DMX-512, very convenient;

Using international standard (1990) DMX single, digital control panel display;

With 1 DMX channel as dimmer; (Strobe channel closed)

Dimmer range: 0~100%, 0~15% dimmer smoothly;

CRI more than 92, 3000~5600K color temperature optional, light effective distance is 12~17 meters;

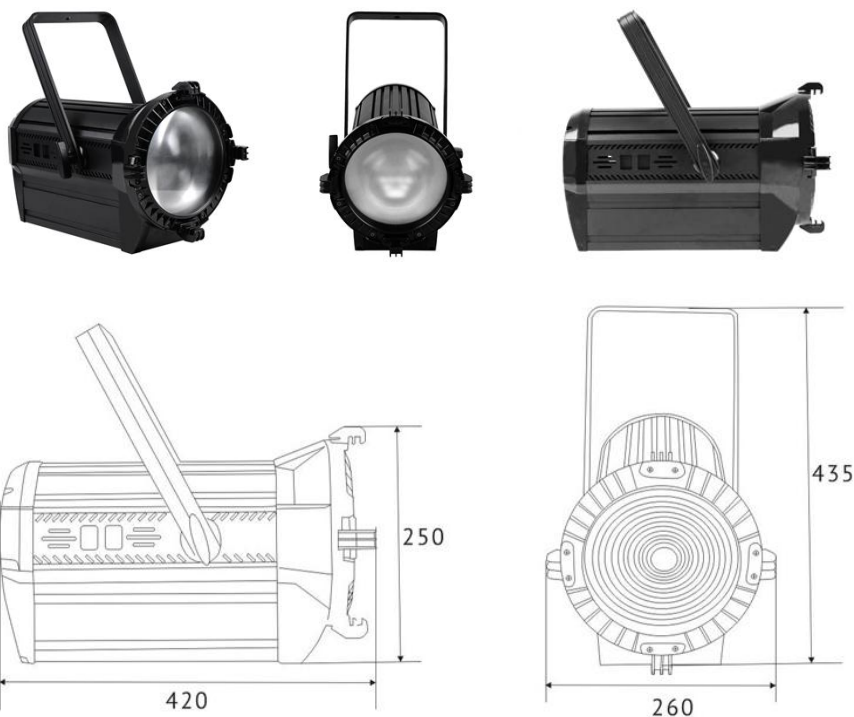
Cast aluminum radiator, equips copper tube radiator, no need fan cooling, realize the silent,

intelligent temperature control system, improve the quality of our products stable performance, apply to indoor installation.

Using brand LED chips, integrated encapsulation, improve reliability and long lifespan.

Using the advanced optical reflective material, make the light on the projection distance and brightness is higher than traditional film soft light.

II OVERVIEW AND DIMENSIONS



All dimensions are in millimeters

III SAFETY INFORMATION

※Important

4. Keyboard available indicator.

VI DMX PROTOCOL

CH	Value	Function
CH1	000←→255	Dimmer, 0~100%

VII COMMON INSTRUCTION

The light uses international 3 pins DMX signal cannon for DMX in and DMX out;

The light uses 4 numbers digital display to show the parameter. If there is no DMX in, the display will in blank screen state when the buttons without press of the button after the 10 seconds. If the light has received the DMX in, the display will also in blank screen state, but the indicate will has continuous regular flicker, it means the DMX signal has been correct connected;

In fact, the light has 2 DMX channels, the 1st one is 0~100% linear dimmer, the 2nd one is strobe, but the 2nd is closed in factory setting;

If there are no DMX in (without DMX console using) to light up the light, you can use the control panel to set. Press MENU button until the display shows C255 , the light will full light up. If you want to adjust the brightness of the light, you can use UP or DOWN button to adjust and press ENER button to confirm the setting. The light will light up in the set state when you power on next time;

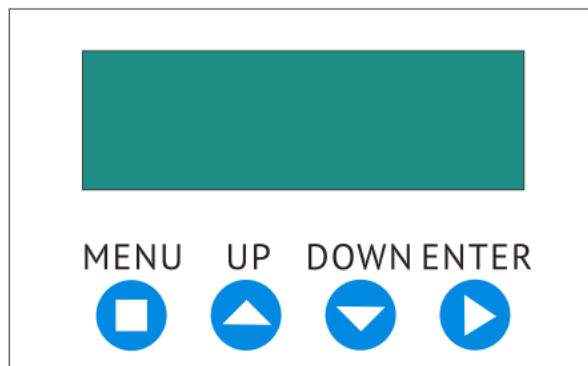
This light uses intelligent full aluminium shell for the heat dissipation, through the electronic temperature detection ensure the stability of the circuit at any time;

When suspending the fixture above ground level, verify that the structure can hold at least 10 times the weight of all installed devices.

Verify that all external covers and rigging hardware are securely fastened and use an approved means of secondary attachment such as a safety cable.

V CONTROL PANNEL

BUTTON



MENU Call the main menu, or escape the current menu, (i.e. return to the upper menu and give up the selected item or parameter).

UP Browse the menu item forward or increase the parameter.

DOWN Browse the menu item backward or decrease the parameter.

ENTER Confirm the selected item or parameter, (i.e. enter into the next menu, or escape the current menu and save the selected item or parameter).

INDICATOR

There are 4 dots at the bottom of the digital tube, from left to right as:

1. DMX signal LED indicator;
2. Memory writing indicator, (Press **ENTER** after amending the DATA, This Dot will be light up, it means the Data is saving);
3. Power indicator;

Every person involved with the installation, operation and maintenance of this device has to be qualified and follow the instructions of this manual. Manufacturer will not with responsibility for those operations which are not according to this Instruction.

Verify that the voltage matches the rated voltage.

When the voltage is 110V, Do not connect more than 10 lightings in total to AC mains power in one interconnected daisy chain

When the voltage is 220V, Do not connect more than 20 lightings in total to AC mains power in one interconnected daisy chain

Before using the fixture, check that all power distribution equipment and cables are in perfect condition and rated for the current requirements of all connected devices.

Always ground (earth) the fixture electrically.

Avoiding hit the Light when you are move or install the light.

The minimum distance between light-output and the illuminated surface must be more than 0.5 meters. Keep all combustible materials (for example fabric, wood, paper) at least 0.2 meters away from the fixture.

Do not expose the fixture to rain or moisture.

Avoid looking directly into the light source (especially those who suffer from epileptic fits)

Maximum ambient temperature (Ta) is 40°C. Do not operate fixture at temperatures higher than this.

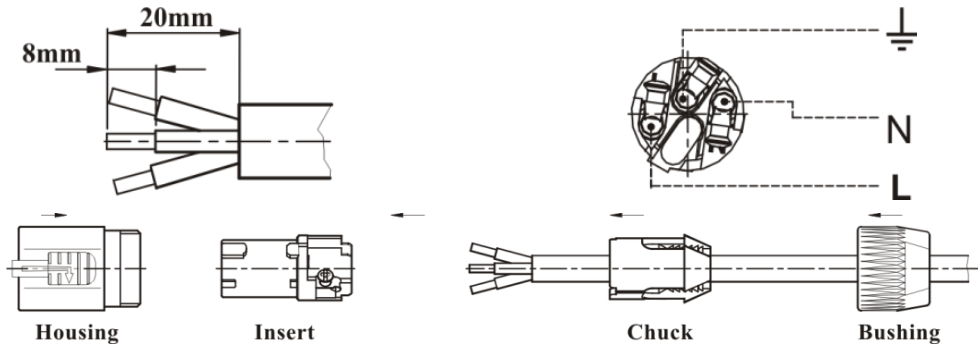
The Maximum surface temperature is 50°C

When suspending the fixture above ground level, verify that the structure can hold at least 10 times the weight of all installed devices.

Verify that all external covers and rigging hardware are securely fastened and use an approved means of secondary attachment such as a safety cable.

IV POWER CONNECTION

INSTALLING A NENUTRIK CONNECTOR ON A POWER CABLE



Put bushing and chuck onto the cable.

Prepare cable as shown above. The power cable must be a three-conductor 2.5mm² cable.

Insert the wire into the terminals and fasten the clamping device by a flat screw driver.

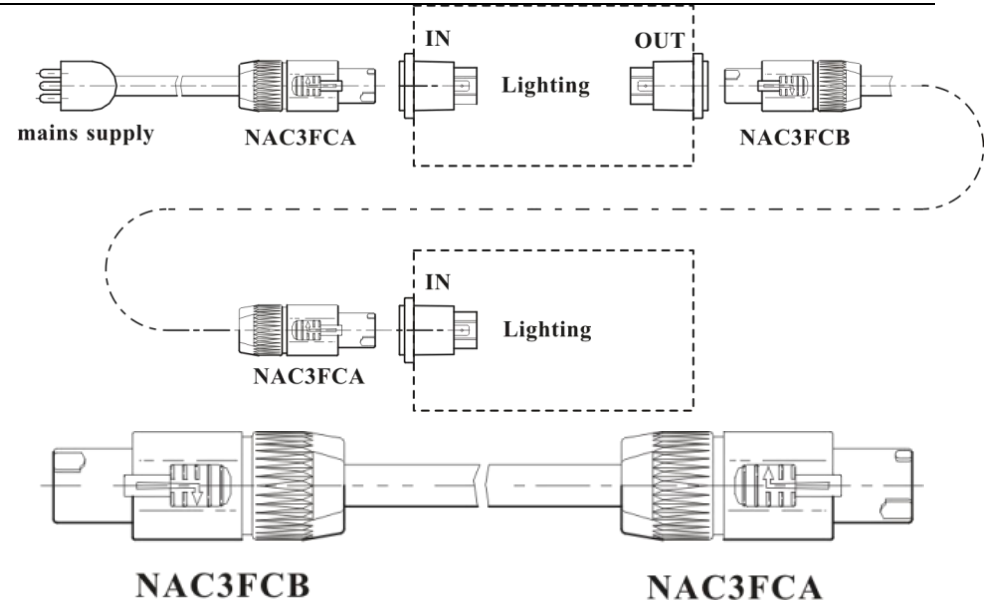
Push insert and chuck into housing (pay attention to the guiding keyway).

Fasten bushing.

The color-coding schemes and some possible pin identification schemes; if pins are not clearly identified, or if you have any doubts about proper installation, consult a qualified electrician.

RELAYING POWER TO OTHER DEVICES

The lightings can be linked in a chain by power cables which installed a blue and a light-gray connectors on the two ends. The light-gray connector connects to the power out socket of the first lighting, and the blue connector connects to the power in socket of the subsequent lighting, and so on.



The power cable must be a three-conductor 2.5mm² cable.

When the voltage is 110V, Do not connect more than 10 lightings in total to AC mains power in one interconnected daisy chain.

When the voltage is 220V, Do not connect more than 20 lightings in total to AC mains power in one interconnected daisy chain.

Wire color	Conductor	Symbol
Brown	Live	L
Blue	Neutral	N
Yellow/green	ground	⊥

PHYSICAL INSTALLATION

This lighting can be placed on a horizontal surface such as a stage or clamped to a truss or similar rigging structure in any orientation using a rigging clamp.