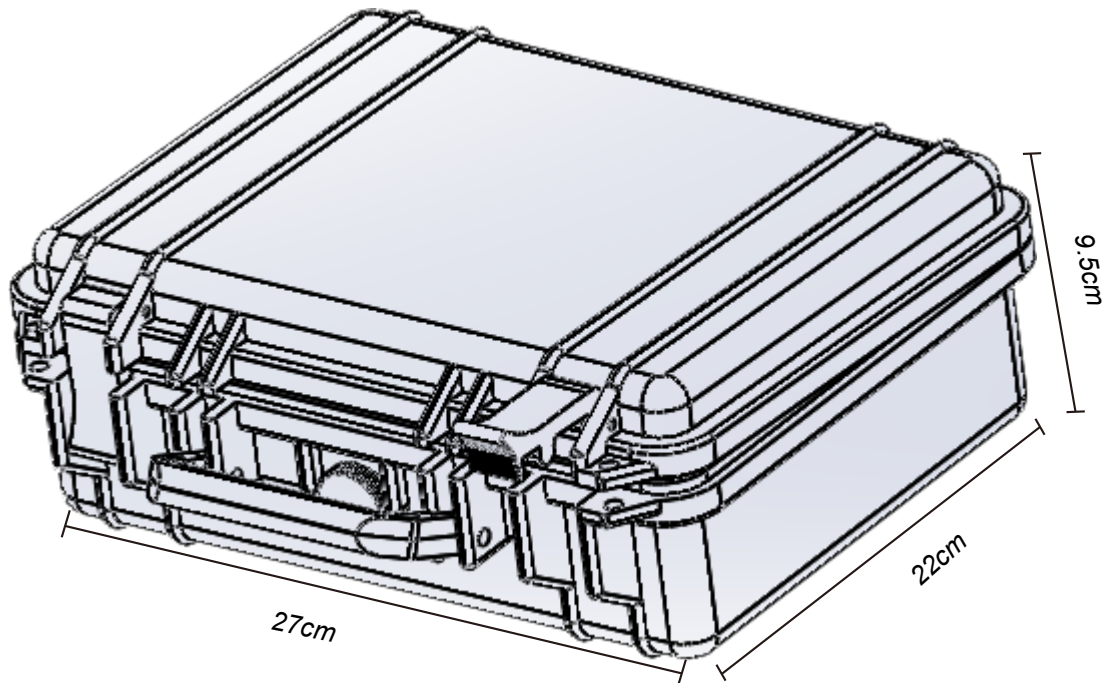

CT-03 PYRO SIM CONTROLLER

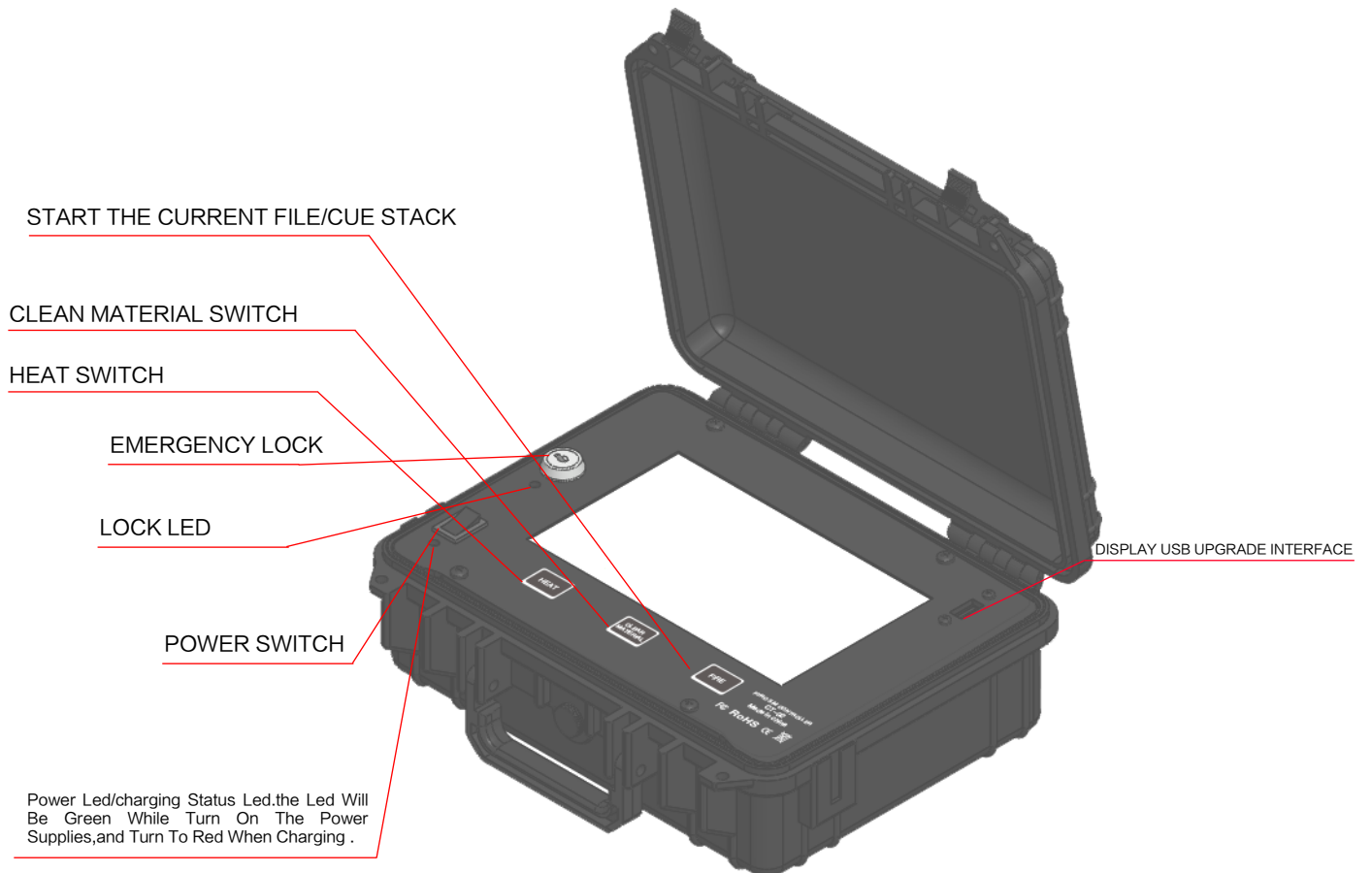
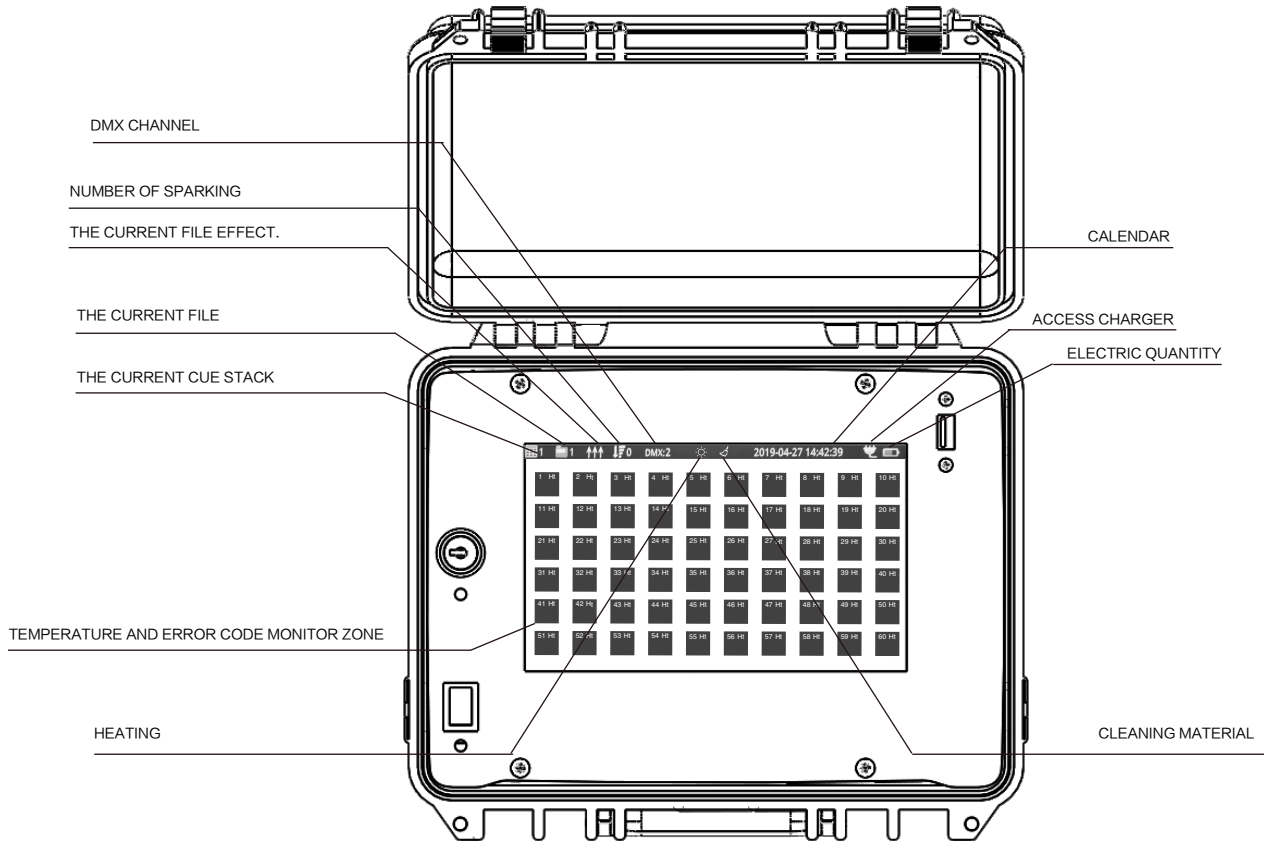
MODEL CT-03

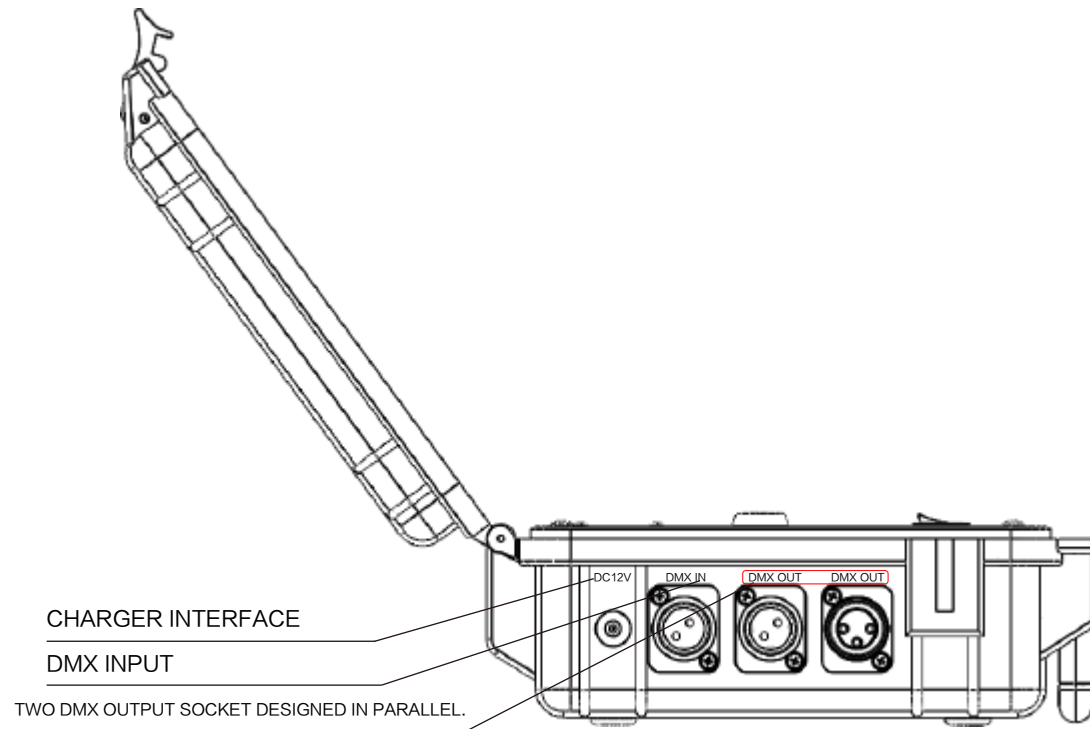
(*The weight of the: 2000g)



BASIC INSTRUCTIONS FOR USE

- *please read this instruction carefully before using*
- *please keep this book safe for future reference.*
- *Please use it correctly on the basis of full understanding of the content*





▼ 2 DMX Channel

First Channel	Function	Second Channel	Function
0	Stop	0	Pre-heat Off
60	Fountain Height 1	15	Emergency Stop (Pre-Heat Off)
120	Fountain Height 2		
180	Fountain Height 3	75	Clear Material
240	Fountain Height 4	255	Pre-heat On

▼ 4 DMX Channel

First Channel	Function	Second Channel	Function Second Channel	Fourth Channel
0	Stop	0	Pre-heat Off	0
60	Fountain Height 1	255	Pre-heat On	255
120	Fountain Height 2	Third Channel	Function Third Channel	Function Fourth Channel
180	Fountain Height 3	0	Clear Material Off	Emergency Stop Off
240	Fountain Height 4	255	Clear Material ON	Emergency Stop On

▼ Controller Panel

- 1. Monitor
*Monitor temperature and machine status
Control single spark, and stop spark.*
- 2. Manual Clear
Clear Material Control
- 3. File
Stored 30 editable files. When the file is started, according to file content to Output DMX signal
- 4. Cue Stack
Add to several file in the Cue stack at the same time. When starting the Cue stack, do it sequentially .
- 5. Calendar
- 6. Set
- 7. Lock up
Locked machine will shut down.
- 8. About

Error Code	Description
E0 System IC	Systematic error.
E1 Motor Protect	Excessive shooting time, enter into protection mode for 20seconds
E2 Temp. Sensor	Temperature sensor is not detected or break or malfunction.
E3 P Temp. Over	Over-temperature on the case
E4 Time Remain	Running out of time remain
E5 K Temp. Over	The equipment stops due to over-temperature on the heating coil
E6 Heat Fail	May be issues of the heating system. Power off when this error occurs.
E7 Tip Over	The equipment stops due to tip over.

▼ Controller Panel

- 9. Battery: 12.6V 700mAh, Fully charged battery can support 14 hours continuous working time.
- 10. Charger: Input voltage 100V-240V (50-60HZ) Output voltage 12.6V 3000mA.
- 11. Dimension 27*22*9.5CM, Weight: 2Kg.

▼ Functional operation

•1. Select the current file

Method 1 : Enter to File Page and Select Files.

Method 2 : Enter to Cue Stack page and select files.

•2. Edit the current file

Method 1 : Click Edit on the Monitor page to edit the current file.

Method 2 : Click Edit on the file page to edit the current file.

Method 3 : Click Edit in the Cue Stack page to edit the current file

•3. Edit effect test

After editing and changing the current file settings, to click Test to see the effect, and then save.

•4. Add Files in Cue Stack

Method: Click Add in the Cue Stack-- Enter to file page--Click the file number--Add to Cue Stack

•5. Delete files in Cue Stack

Method: Click lock&Select--Click the needed delete file(can select several files at the same time)-- Click Delete

•6. Lock up


Method: Enter Loch up page, Click the machine need to lock. and back.

•7. FIRE Button

Press FIRE button in the Cue stack page, Start the files in the Cue stack in sequence. Press FIRE button to start the current file on other pages.



CHANGSHA SPARK TECHNOLOGY ELECTRONICS CO.,LTD

 0731-8228231

WWW.SPARKFABRICA.COM

MARKETING@SPARKFABRICA.COM