



BNC Connectors

| Content | Page |
|----------------------------------|------|
| rearTWIST Cable Connectors | 98 |
| pushPULL Cable Connectors | 100 |
| Cable to Connector Guide | 102 |
| Connector to Cable Guide | 104 |
| Bulkhead Jacks | 106 |
| Technical Data | 107 |
| Accessories | 108 |

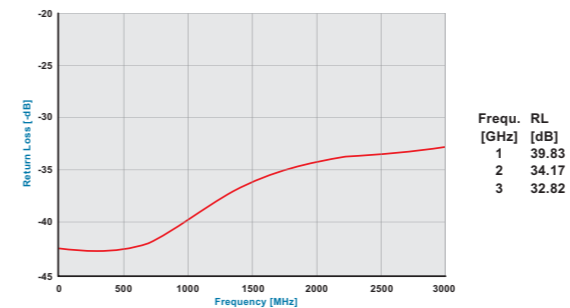
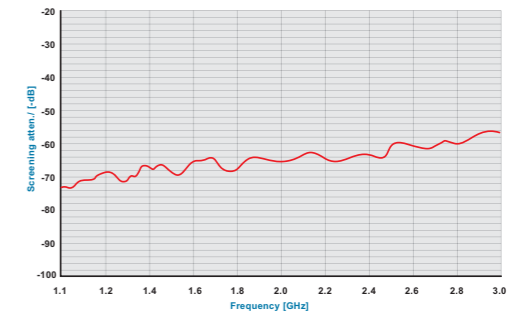
NEUTRIK® 75Ω BNC Connectors Neutrik BNCs - enhanced high frequency shielding!

Neutrik® offers a variety of 75 Ω cable and chassis BNC connectors. The pushPULL and rearTWIST cable connectors are easy to handle in high density applications such as video patchbays and switches, provide a tactile and fast assembly and offer colour coding as a standard. All parts of our BNC series are precisely machined to our high quality standards.

In times of rising frequencies the connector shielding becomes to an important value in order to avoid EMI problems and crosstalking. Neutrik BNC's take this fact into account and has been equipped with an optimized ground contact design for maximum shielding effectiveness.

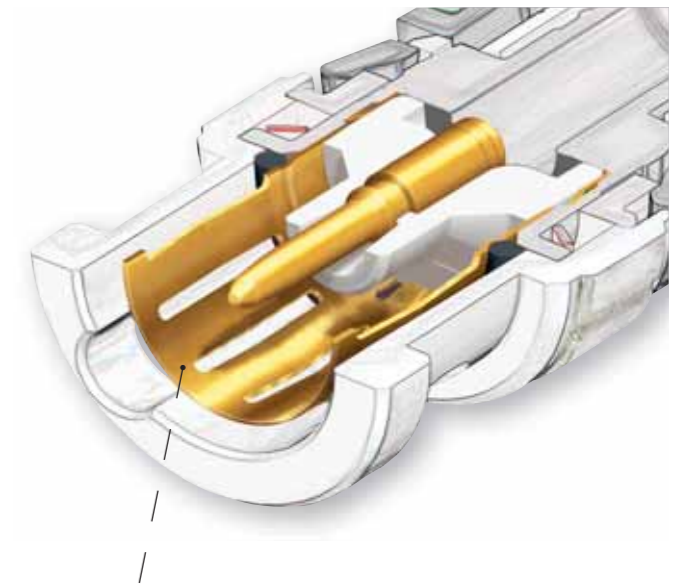
True 75Ω HDTV Connectors

With the introduction of HD signals the impedance of BNC connectors becomes more important than ever. Every deviate impedance has a negative influence on the „return loss“ / „VSWR“ (Voltage Standing Wave Ratio) which are important measurements for reflected signals in a transmission line. Especially on high frequencies - as they occur when transmitting HD signals (typical transmission @ 2.25 GHz) - an impedance mismatch results in a lot of return loss.



Neutrik's BNC connectors feature a true 75 Ω design that meet the stringent requirements of HDTV and sustain a consistent impedance at high frequencies up to 3 GHz. To achieve this result every Neutrik® BNC connector has been adapted to the measurements of a small group of cables, this guarantees the best possible performance and a little return loss.

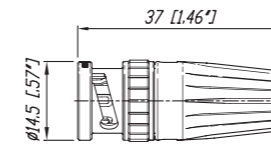
The higher the frequencies the more pronounced is the „skin effect“, which means that the energy moves to the outside of the conductor. Therefore the plating of outer and center contact is more important than on audio connectors with low frequencies - both contacts of our BNC connectors are gold plated.



Gold plated ground contact with improved shielding effectiveness optimized for high frequency HDTV signal up to 3 GHz.



Bayonet locking Gold plated contacts Female cable jack



rearTWIST (Standard, Large & Tiny) and Cable Jacks



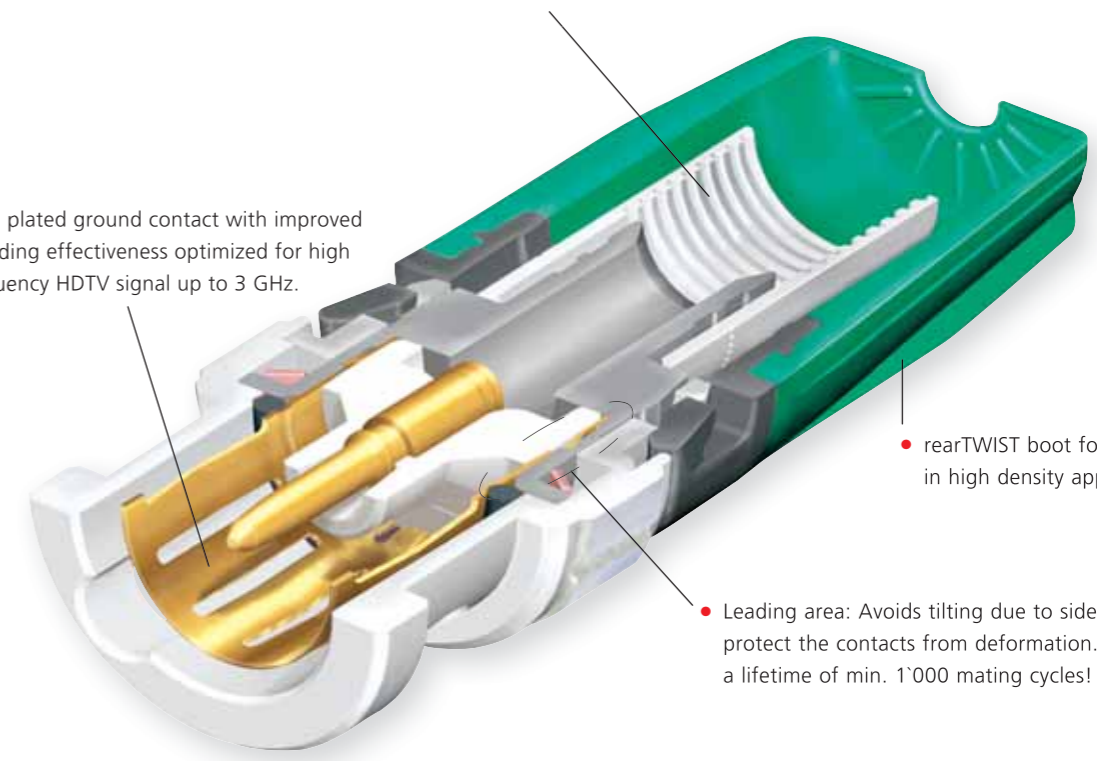
NBTC75BLI4 NBNC75BLP7 NBNB75GLP9 NBTB75CFI4

- "rearTWIST Principle" locking/unlocking using the easily accessible soft touch boot (Patent DE 100 48507)
- Ideal for recessed bulkheads where access to the "head" of the connector might be an issue. These connectors turn from the back and not the front.
- True 75 Ω design meets the stringent HDTV / DVD requirements
- Snug-fit center pin insert provides tactile feedback
- Shield and jacket crimp technology prevents the problem of an exposed grounding braid on cable assemblies
- Excellent cable protection and retention
- Large version for RG 11 cable
- Precise Swiss machined brass parts for outstanding durability
- Accessories include color coded boots in 10 standard colours, crimp tool and dies
- Sleek female cable jack e.g. for Y-cables
- Mountable panel version of cable jack for fixed installations

Features & Benefits

- Screen and cable jacket crimp instead of screen crimp only. Grooved inner surface holds the cable jacket to prevent tearing braids.

- Gold plated ground contact with improved shielding effectiveness optimized for high frequency HDTV signal up to 3 GHz.



- rearTWIST boot for easy access in high density applications.

- Leading area: Avoids tilting due to side forces to protect the contacts from deformation. Guarantees a lifetime of min. 1'000 mating cycles!



Neutrik BNC:
no tilting due to side pull



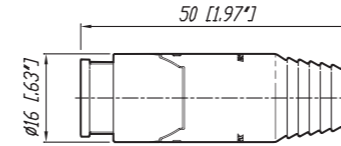
Other BNC



Push Pull locking



Gold plated contacts



pushPULL Cable Connectors



NBNC75PTS11



NBNC75PNS7



NBNC75PIE9



NBNC75PLS9

- Unique Push-Pull locking system is ideal for ultra high density applications, patching, etc.
- True 75 Ω design meets the stringent HDTV / DVD requirements
- Excellent return loss / VSWR data
- Precision machined parts
- Assembly is fast and easy and requires only a standard center contact crimp after cable preparation
- Reusable due to screw lock strain relief
- Snug-fit center pin insert provides tactile feedback
- Only pin crimp, this eliminates the need of different crimp dies and facilitates field repair
- Innovative screw lock cable retention for easy assembly
- Accessories include colour coded boots in 10 standard and 3 translucent colours

Features & Benefits

- Push Pull sleeve for easy access in high density applications.
- Neutrik® chuck type strain relief offers flexibility and field repair.
- Gold plated ground contact with improved shielding effectiveness optimized for high frequency HDTV signal up to 3 GHz.
- Leading area: Avoids tilting due to side forces to protect the contacts from deformation. Guarantees a lifetime of min. 1'000 mating cycles!
- Push Pull locking mechanism for convenient handling, perfect for patching applications.

| | pushPULL | rearTWIST | rearTWIST Tiny | Cable Jack Tiny | Cable Jack Panel | Hex Crimp in mm |
|--|----------|-----------|-------------------|--------------------|---------------------|--------------------|
|--|----------|-----------|-------------------|--------------------|---------------------|--------------------|

| Belden | | | | | | |
|----------------------------|-------------|-------------|--|------------|------------|------|
| 1277R, 1278R, 1279R | | | | NBTC75BNN5 | | 4.53 |
| 1406B, 1407B, 1417B | | | | NBTC75BVV5 | | 5.00 |
| 1426A, 1505A (ANH) | NBNC75PLS9 | NBNC75BLP9 | | | NBNB75GLP9 | 6.47 |
| 1505F | NBNC75PLS9 | NBNC75BJP9 | | | | 6.47 |
| 1506A | NBNC75PIE9 | NBNC75BIJ9 | | | | 5.41 |
| 1520A, 1521A, 1522A, 179DT | | | | NBTC75BFI4 | NBTB75CFI4 | 4.06 |
| 1694A (ANH) | NBNC75PTS11 | NBNC75BTU11 | | | | 7.36 |
| 1694F | NBNC75PTS11 | NBNC75BTY11 | | | | 8.23 |
| 1695A | NBNC75PQS11 | NBNC75BQP11 | | | | 6.47 |
| 1855A | NBNC75PDE6 | NBNC75BDD6 | | | | 4.53 |
| 1865A | | | | NBTC75BXX6 | | 5.00 |
| 1855ENH | NBNC75PFE7 | NBNC75BFG7 | | | | 5.00 |
| 7731A (ANH) | | NBLC75BVZ17 | | | | 9.73 |
| 8218 | | | | NBTC75BXX5 | | 5.00 |
| 8241 | NBNC75PNS7 | NBNC75BLP7 | | | | 6.47 |
| 8241F | NBNC75PLS9 | NBNC75BLP9 | | | NBNB75GLP9 | 6.47 |
| 8281 | | NBNC75BXY9 | | | | 8.23 |
| 8281F | | NBNC75BY9 | | | | 8.23 |
| 9221 | | | | NBTC75BLI4 | | 4.06 |

CANARE

| | | | | | | |
|-------------|-------------|-------------|--|------------|------------|------|
| L-4CFB | NBNC75PLS9 | NBNC75BLP9 | | | NBNB75GLP9 | 6.47 |
| L-5CFB | | NBNC75BYY11 | | | | 8.23 |
| LV-61S | NBNC75PNS7 | NBNC75BLP7 | | | | 6.47 |
| LV-77S | | NBNC75BYY9 | | | | 8.23 |
| V(3-5)-3C | NBNC75PGE7 | NBNC75BGG7 | | | | 5.00 |
| V(3-5)-4CFB | NBNC75PLE9 | NBNC75BJJ9 | | | | 5.41 |
| V(3-5)-5C | NBNC75PVS9 | NBNC75BRS9 | | | | 7.01 |
| V(3-5)-5CFB | NBNC75PVS11 | NBNC75BWS11 | | | | 7.01 |
| L-1.5C2VS | | | | NBTC75BLI4 | | 4.06 |

COMMSCOPE

| | | | | | | |
|--------------|-------------|-------------|--|------------|------------|------|
| 2065V | NBNC75PIE9 | NBNC75BIJ9 | | | | 5.41 |
| 2279V | NBNC75PQS11 | NBNC75BQP11 | | | | 6.47 |
| 5563 | NBNC75PNS7 | NBNC75BLP7 | | | | 6.47 |
| 5565 | NBNC75PLS9 | NBNC75BLP9 | | | NBNB75GLP9 | 6.47 |
| 5765 | NBNC75PTS11 | NBNC75BTU11 | | | | 7.36 |
| 7536 (03-05) | | | | NBTC75BXX6 | | 5.00 |
| 7538 | NBNC75PDE6 | NBNC75BDD6 | | | | 4.53 |

CANFORD

| | | | | | | |
|--------------|-------------|-------------|--|--|--|------|
| SDV, SDM | NBNC75PFE7 | NBNC75BFG7 | | | | 5.00 |
| SDV-L, SDV-F | NBNC75PVS11 | NBNC75BWS11 | | | | 7.01 |
| SDV-HD | | NBLC75BVZ17 | | | | 9.73 |
| SDV-F-HD | | NBNC75BWU13 | | | | 7.36 |

DRAKA MULTIMEDIA CABLE

| | | | | | | |
|---|-------------|-------------|--|------------|-------------|------|
| 0.31 / 1.45 AF, 753-1304(2), 755-1302 | | | | NBTC75BFI4 | NBTB75CFI4 | 4.06 |
| 0.41 / 1.9 AF, 753-1104, 755-1103, 755-1101 | | | | NBTC75BNN5 | NBTB75CNN5 | 4.53 |
| 0.51 / 2.3 Dz, 757-1001, VADN 7243 | | NBTC75BVX6 | | | | 5.00 |
| 0.6 / 2.8 AF, 0.6 L / 2.8 AF | NBNC75PFE7 | NBNC75BFG7 | | | | 5.00 |
| 0.6 / 3.7, 0.6L / 3.7 | NBNC75PNS7 | NBNC75BLP7 | | | | 6.47 |
| 0.6 / 3.7 Dz | NBNC75PNS7 | NBNC75BLS7 | | | | 7.01 |
| 0.8 / 3.7 AF, 755-801(803, 804) | NBNC75PLS9 | NBNC75BLP9 | | | NBNB75GLP9 | 6.47 |
| 0.8 / 4.9 Dz | | NBNC75BXY9 | | | | 8.23 |
| 1.0 / 4.8 AF, 755-901/5 | NBNB75PTS11 | NBNC75BUU11 | | | NBNB75GUU11 | 7.36 |
| 1.2L / 4.8Dz, 1.2L / 4.95AF | | NBNC75BWU13 | | | | 7.36 |
| 1.4 / 6.6 AF | | NBLC75BSX14 | | | | 9.73 |
| 1.6 / 7.3AF | | NBLC75BVZ17 | | | | 9.73 |

| | pushPULL | rearTWIST | rearTWIST Tiny | Cable Jack Tiny | Cable Jack Panel | Hex Crimp in mm |
|--|----------|-----------|-------------------|--------------------|---------------------|--------------------|
|--|----------|-----------|-------------------|--------------------|---------------------|--------------------|

| SUHNER | | | | | | |
|----------------|-------------|-------------|--|------------|------------|------|
| G02233 | | | | NBTC75BFI4 | NBTB75CFI4 | 4.06 |
| G04233D | NBNC75PNS7 | NBNC75BLS7 | | | | 7.01 |
| S02223 | | | | NBTC75BLI4 | | 4.06 |
| S04233, S04263 | NBNC75PLS9 | NBNC75BLP9 | | | NBNB75GLP9 | 6.47 |
| S05133-07 | NBNC75PTS11 | NBNC75BTU11 | | | | 7.36 |
| S05163-02 | NBNC75PTS11 | NBNC75BTU11 | | | | 7.36 |

OTHERS

| | | | | | | |
|------------------------------------|-------------|-------------|--|------------|-------------|------|
| AT&T 735 | | | | NBTC75BSS5 | | 4.53 |
| COMM-TEC RGBHV | | | | NBTC75BSS5 | | 4.53 |
| Argosy Image 360 | | NBNC75BFG7 | | | | 5.00 |
| Argosy Image 720 | | NBNC75BLP9 | | | | 6.47 |
| Argosy Image 1000 | NBNC75PTS11 | NBNC75BUU11 | | | NBNB75GUU11 | 7.36 |
| BBC PSF 1/3* | NBNC75PNS7 | NBNC75BLS7 | | | | 7.01 |
| BESCA France - Bengat | | | | NBTC75BNS4 | | 4.53 |
| CAE MC75 | | | | NBTC75BLI5 | NBTB75CLI5 | 4.06 |
| CAE MC75.39 | | | | NBTC75BVX6 | | 5.00 |
| CAE KX6A | NBNC75PNS7 | NBNC75BLP7 | | | | 6.47 |
| CAE VCB75 | NBNC75PNS9 | NBNC75BNP9 | | | | 6.47 |
| CAE VCB 100 | | NBNC75BXU13 | | | | 7.36 |
| Cordial CVI 3-7 | NBNC75PFE7 | NBNC75BFG7 | | | | 4.53 |
| Cordial CVI 06-28 | NBNC75PFE7 | NBNC75BFG7 | | | | 5.00 |
| Cordial CVI (CVM) 06-37 | NBNC75PNS7 | NBNC75BLP7 | | | | 6.47 |
| COVID CVD 1300-1500 | | | | NBTC75BLI5 | NBTB75CLI5 | 4.06 |
| Eupen 705 CRT 5V-HS | NBNC75PTS11 | NBNC75BTS11 | | | | 7.36 |
| Extron BNC-5HR | | | | NBTC75BNN5 | NBTB75CNN5 | 4.53 |
| Extron BNC-5RC | NBNC75PGE7 | NBNC75BFG7 | | | | 5.00 |
| GEPCO VPM2000 | NBNC75PLS9 | NBNC75BLP9 | | | NBNB75GLP9 | 6.47 |
| GEPCO VSD2001 | NBNC75PTS11 | NBNC75BTU11 | | | | 7.36 |
| Helix 734 | NBNC75PNS9 | NBNC75BNP9 | | | | 6.47 |
| Helix 735 | | | | NBTC75BSS5 | | 4.53 |
| Hirschmann KOKA 712Cu | NBNC75PTS9 | NBNC75BTS9 | | | | 6.47 |
| Kansai 0.5M3C-2V | NBNC75PGE7 | | | | | - |
| Kansai 3C-5S | NBNC75PFE6 | NBNC75BFH6 | | | | 5.00 |
| KLOTZ V06/28, VMXx75Y | NBNC75PFE7 | NBNC75BFG7 | | | | 5.00 |
| KLOTZ V06/37 | NBNC75PNS7 | NBNC75BLP7 | | | | 6.47 |
| KLOTZ V10/48 | NBNC75PTS11 | NBNC75BUU11 | | | NBNB75GUU11 | 7.36 |
| KLOTZ V16/72 | | NBLC75BVZ17 | | | | 9.73 |
| KROSCHU (341 270, 341 280) | | | | NBTC75BLI4 | | 4.06 |
| Nexans HF 75 0.6/2.9 02YS(ST)CH | | NBNC75BFG7 | | | | 5.00 |
| Nexans HF 75 1.6/7.2 02Y(ST)C(ST)H | | NBNC75BVZ17 | | | | 9.73 |
| Nexans HF 75 0.6/3.7 2YCY | | NBNC75BLP7 | | | | 6.47 |
| RG11 | | NBLC75BVZ17 | | | | 9.73 |
| RG59B/U | NBNC75PNS7 | NBNC75BLP7 | | | | 6.47 |
| RG179B/U | | | | NBTC75BLI4 | | 4.06 |
| SOMMER 600-0051 (M/L/S) | NBNC75PNS7 | NBNC75BLP7 | | | | 6.47 |
| SOMMER 600-0054 (M/L/S) | NBNC75PNS7 | NBNC75BLP7 | | | | 6.47 |
| SOMMER 600-0101M | NBNC75PFE7 | NBNC75BFG7 | | | | 5.00 |
| SOMMER 600-0104M | NBNC75PFE7 | NBNC75BFG7 | | | | 5.00 |
| SOMMER 600-162(F) | NBNC75PLS9 | NBNC75BLP9 | | | | 6.47 |
| SOMMER 600-025* -03 (05) | | | | NBTC75BLI5 | NBTB75CLI5 | 4.06 |
| SOMMER 600-0701 | | | | NBTC75BLI5 | NBTB75CLI5 | 4.06 |
| SOMMER 600-020* -03 (05) | | | | NBTC75BLI5 | NBTB75CLI5 | 4.06 |
| SOMMER 600-0451 | NBNC75PLS9 | NBNC75BLP9 | | | NBNB75GLP9 | 6.47 |
| SOMMER 600-0751 | | | | NBTC75BVX6 | | 5.00 |
| Wisi MK 99A | NBNC75PVS12 | NBNC75BWS12 | | | | 7.01 |
| ZNK CM14B | | | | NBTC75BFI4 | NBTB75CFI4 | 4.06 |

* Registered trademark of BBC

| | Pin crimp mm (square) | Hex crimp mm | Inner Conductor | Insulator | Cable O.D. | Cable Type |
|---|--------------------------|-----------------|--------------------|-----------|------------|--|
| pushPULL | | | | | | |
| NBNC75PDE6 | 1.6 | N/A | < 0.6 | < 2.65 | 4.0 - 5.0 | Belden 1855A; CommScope 7538 |
| NBNC75PFE6 | 1.6 | N/A | < 0.6 | < 2.85 | 4.0 - 5.0 | Kansai 3C-55 |
| NBNC75PFE7 | 1.6 | N/A | < 0.7 | < 2.85 | 4.0 - 5.0 | Belden 1855ENH; Cordial CVI 06-28, CVI 3-7; Canford SDM, SDV-LFH; Draka 0.6/2.8 AF, 0.6L/2.8 AF; Sommer 600-0101M, 600-0104M, KLOTZ V06/28, VMXx75Y |
| NBNC75PGE7 | 1.6 | N/A | < 0.7 | < 3.2 | 4.0 - 5.0 | Canare V(3-5)-3C; Extron BNC-5RC |
| NBNC75PIE9 | 1.6 | N/A | < 0.9 | < 3.5 | 4.0 - 5.0 | Belden 1506A; CommScope 2065V |
| NBNC75PLE9 | 1.6 | N/A | < 0.9 | < 3.65 | 4.0 - 5.0 | Canare V(3-5)-4CFB |
| NBNC75PLS9 | 1.6 | N/A | < 0.9 | < 3.65 | 6.0 - 7.0 | Belden 1505A (ANH), Belden 1505F; 8241F; CommScope 5565; Canare L-4CFB; Draka 0.8/3.7 AF, 755-801 (803,804); Gepco VPM2000; Suhner S04263; Sommer 600-0451, 600-162(F), 804) |
| NBNC75PNS7 | 1.6 | N/A | < 0.7 | < 3.75 | 6.0 - 7.0 | Belden 8241; BBC PSF 1/3, CAE KX6A; CommScope 5563; Cordial CVI (CVM) 06-37; Suhner G04233D; Canare LV-61S; RG59B/U; Draka 0.6/3.7, 0.6/3.7 Dz, 0.6L/3.7; Sommer 600-0051 (M,L,S), 600-0054 (M,L,S), KLOTZ V06/37 |
| NBNC75PNS9 | 1.6 | N/A | < 0.9 | < 3.75 | 6.0 - 7.0 | CAE VCB75; Helix 734 |
| NBNC75PQS11 | 1.6 | N/A | < 1.1 | < 4.3 | 6.0 - 7.0 | Belden 1695A; CommScope 2279V |
| NBNC75PTS9 | 1.6 | N/A | < 0.9 | < 4.6 | 6.0 - 7.0 | Hirschmann KOKA 712Cu |
| NBNC75PTS11 | 1.6 | N/A | < 1.1 | < 4.6 | 6.0 - 7.0 | Belden 1694A (ANH), 1694F; CommScope 5765; Draka 1.0/4.8 AF, 755-901/5, Argosy (Draka) Image 1000; Eupen 705 CRT 5V-HS; Gepco VSD2001; Suhner S05133-07 S05163-02, KLOTZ V10/48 |
| NBNC75PVS9 | 1.6 | N/A | < 0.9 | < 4.9 | 6.0 - 7.0 | Canare V(3-5)-5C |
| NBNC75PVS11 | 1.6 | N/A | < 1.1 | < 4.9 | 6.0 - 7.0 | Canare V(3-5)-5CFB; Canford SDV-F, SDV-L |
| NBNC75PVS12 | 1.6 | N/A | < 1.2 | < 4.9 | 6.0 - 7.0 | Wisi MK 99A |
| rearTWIST | | | | | | |
| NBLC75BVZ17 | 1.75 (Hex crimp) | 9.73 | < 1.7 | < 8.0 | < 10.4 | Belden 7731A (ANH); Canford SDV-HD; Draka 1.6/7.3AF; KLOTZ V16/72; RG11; Nextans HF 75 1.6/7.2 02Y(ST)C(ST)H |
| NBLC75BSX14 | 1.75 (Hex crimp) | 9.73 | < 1.4 | < 6.6 | < 9.5 | Draka 1.4 / 6.6 AF |
| NBNC75BDD6 | 1.6 | 4.53 | < 0.6 | < 2.8 | < 4.3 | Belden 1855A; CommScope 7538 |
| NBNC75BFG7 | 1.6 | 5.00 | < 0.7 | < 3.1 | < 4.7 | Argosy (Draka) Image 360; Belden 1855ENH; Canford SDM, SDV-S-LFH; Cordial CVI 06-28, CVI 3-7; Draka 0.6/2.8 AF, 0.6L/2.8 AF; Extron BNC-5RC; Sommer 600-0101M, 600-0104M, KLOTZ V06/28, VMXx75Y; Nexans HF 75 0.6/2.9 02YS(ST)CH |
| NBNC75BFH6 | 1.6 | 5.00 | < 0.6 | < 3.1 | < 4.9 | Kansai 3C-55 |
| NBNC75BGG7 | 1.6 | 5.00 | < 0.7 | < 3.2 | < 4.7 | Canare V(3-5)-3C |
| NBNC75BIJ9 | 1.6 | 5.41 | < 0.9 | < 3.6 | < 5.3 | Belden 1506A; CommScope 2065V |
| NBNC75BJJ9 | 1.6 | 5.41 | < 0.9 | < 3.8 | < 5.3 | Canare V(3-5)-4CFB |
| NBNC75BJP9 | 1.6 | 6.47 | < 0.9 | < 3.8 | < 6.3 | Belden 1505F |
| NBNC75BLP7 | 1.6 | 6.47 | < 0.7 | < 3.8 | < 6.3 | Belden 8241; CAE KX6A; Canare LV-61S; Cordial CVI (CVM) 06-37; CommScope 5563; Draka 0.6/3.7, 0.6L/3.7; RG59B/U; Sommer 600-0051 (M,L,S), 600-0054 (M,L,S), KLOTZ V06/37; Nextans HF 75 0.6/3.7 2YCY |
| NBNC75BLP9 | 1.6 | 6.47 | < 0.9 | < 3.8 | < 6.3 | Argosy (Draka) Image 720; Belden 1505A (ANH), 8241F; Canare L-4CFB; CommScope 5565; Draka 0.8/3.7 AF, 755-801 (803, 804); Gepco VPM2000; Suhner S0426; Sommer 600-0451, 600-162(F) |
| NBNC75BLS7 | 1.6 | 7.01 | < 0.7 | < 3.8 | < 6.9 | BBC PSF 1/3; Draka 0.6/3.7 Dz, 755-801 (803, 804); Suhner G04233D (PTT 6010) |
| NBNC75BNP9 | 1.6 | 6.47 | < 0.9 | < 4.1 | < 6.3 | CAE VCB75; Helix 734 |
| NBNC75BQP11 | 1.6 | 6.47 | < 1.1 | < 4.5 | < 6.3 | Belden 1695A; CommScope 2279V |
| NBNC75BRS9 | 1.6 | 7.01 | < 0.9 | < 4.8 | < 6.9 | Canare V(3-5)-5C |
| NBNC75BTS9 | 1.6 | 7.01 | < 0.9 | < 4.7 | < 6.9 | Hirschmann KOKA 712Cu |
| NBNC75BTS11 | 1.6 | 7.01 | < 1.1 | < 4.7 | < 6.9 | Eupen 705 CRT 5V-HS |
| NBNC75BTU11 | 1.6 | 7.36 | < 1.1 | < 4.7 | < 7.3 | Belden 1694A (ANH); CommScope 5765; Gepco VSD2001; Suhner S05163-02, 05133-07 |
| NBNC75BUU11 | 1.6 | 7.36 | < 1.1 | < 4.7 | < 7.3 | Belden 1694A; CommScope 5765; Gepco VSD2001; Suhner S05163-02, 05133-07; Argosy (Draka) Image 1000 |
| NBNC75BTY11 | 1.6 | 8.23 | < 1.1 | < 4.7 | < 8.0 | Belden 1694F |
| NBNC75BWS11 | 1.6 | 7.01 | < 1.1 | < 5.1 | < 6.9 | Canare V(3-5)-5CFB; Canford SDV-L, SDV-F |
| NBNC75BWS12 | 1.6 | 7.01 | < 1.2 | < 5.1 | < 6.9 | Wisi MK 99A |
| NBNC75BWU13 | 1.6 | 7.36 | < 1.4 | < 5.1 | < 7.3 | Canford SDV-F-HD; Draka 1.2L/4.8Dz, 1.2L/4.95AF |
| NBNC75BXU13 | 1.6 | 7.36 | < 1.4 | < 5.1 | < 7.3 | CAE VCB 100 |
| NBNC75BXY9 | 1.6 | 8.23 | < 0.9 | < 5.1 | < 8.0 | Belden 8281; Draka 0.8/4.9Dz |
| NBNC75BYY9 | 1.6 | 8.23 | < 0.9 | < 5.2 | < 8.0 | Belden 8281F; Canare LV-77S |
| NBNC75BYY11 | 1.6 | 8.23 | < 1.1 | < 5.2 | < 8.0 | Canare L-5CFB |
| rearTWIST TINY | | | | | | |
| NBTC75BFI4 | 1.6 | 4.06 | < 0.4 | < 1.6 | < 2.9 | Belden 1520A, 1521A, 1522A, 179DT; Draka 0.31/1.45 AF, 753-1304(2), 755-1302; Suhner G02233, ZNK CM14B |
| NBTC75BLI4 | 1.6 | 4.06 | < 0.4 | < 1.8 | < 2.9 | Canare L-1.5C2VS; Suhner S02223; Kroschu (341 270, 341 280); RG 179 B/U; Sommer 600-025-03 (05) |
| NBTC75BLI5 | 1.6 | 4.06 | < 0.5 | < 1.8 | < 2.9 | CAE MC75; Procom; Sommer 600-0701, 600-20-03 (05), 600-025-03 (05) |
| NBTC75BNN5 | 1.6 | 4.53 | < 0.5 | < 2.0 | < 3.1 | Belden 1277R, 1278R, 1279R; Draka 0.41/1.9AF, 753-1104, 755-1103; Extron BNC-5 HR(P) (Bulk), BNC-5RC |
| NBTC75BNS4 | 1.6 | 4.53 | < 0.4 | < 2.0 | < 3.5 | TESCA France - Bengale |
| NBTC75BSS5 | 1.6 | 4.53 | < 0.5 | < 2.3 | < 3.4 | AT&T 735; CommTech RGBHV |
| NBTC75BVV5 | 1.6 | 5.00 | < 0.5 | < 2.5 | < 3.8 | Belden 1406B, 1407B, 1417B |
| NBTC75BVX6 | 1.6 | 5.00 | < 0.6 | < 2.5 | < 4.0 | CAE NC75.39; Draka 755-1001 (0.51/2.3Dz), 757-1001; Sommer 600-0751; VADN 7243 |
| NBTC75BXX5 | 1.6 | 5.00 | < 0.5 | < 2.6 | < 4.0 | Belden 8218 |
| NBTC75BXX6 | 1.6 | 5.00 | < 0.6 | < 2.6 | < 4.0 | Belden 1865A; CommScope 7536 |
| CABLE JACKS (TINY & PANEL VERSION) | | | | | | |
| NBTB75CFI4 | 1.6 | 4.06 | < 0.4 | < 1.6 | < 2.9 | Belden 1520A, 1521A, 1522A, 179DT; Draka 0.31/1.45 AF, 753-1304(2), 755-1302; Suhner G02233; ZNK CM14B |
| NBTB75CNN5 | 1.6 | 4.53 | < 0.5 | < 2.0 | < 3.1 | Draka 0.41/1.9 AF, 753-1104, 755-1101; 755-1103; Extron BNC 5 HR(P) (Bulk) |
| NBTB75CLI5 | 1.6 | 4.06 | < 0.5 | < 1.8 | < 2.9 | CAE MC75; Sommer 600-0701, 600-20-03 (05), 600-025-03 (05) |
| NBNB75GLP9 | 1.6 | 6.47 | < 0.9 | < 3.8 | < 6.3 | Belden 1505A, 8241F; Canare L-4CFB; CommScope 5565; Draka 0.8/3.7 AF, 755-801 (803, 804); Gepco VPM2000; Suhner S04263; Sommer 600-0451 |
| NBNB75GUU11 | 1.6 | 7.36 | < 1.1 | < 4.9 | < 7.3 | Draka 1.0/4.8AF, 755-901/5, Argosy (Draka) Image 1000, KLOTZ V10/48 |
| NBNB75ILP9 | 1.6 | 6.47 | < 0.9 | < 3.8 | < 6.3 | Belden 1505A, 8241F; Canare L-4CFB; CommScope 5565; Draka 0.8/3.7 AF, 755-801 (803, 804); Gepco VPM2000; Suhner S04263; Sommer 600-0451 |
| NBNB75IUU11 | 1.6 | 7.36 | < 1.1 | < 4.9 | < 7.3 | Draka 1.0/4.8AF, 755-901/5, Argosy (Draka) Image 1000, KLOTZ V10/48 |



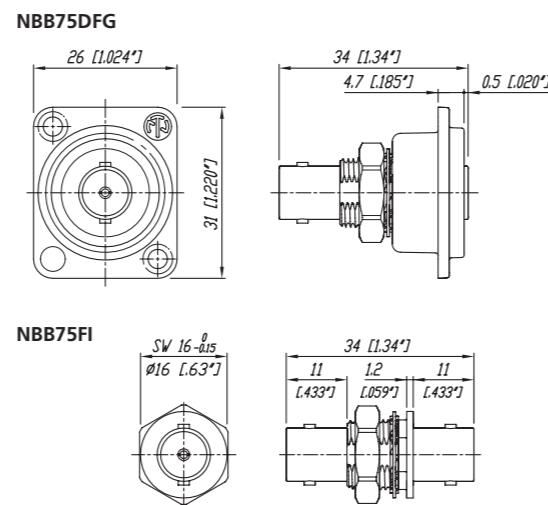
D-shape metal housing
Gold plated center pin

Bulkhead Jacks



NBB75FI NBB75DFG NBB75DFGB NBB75SI

- True 75 Ω design meets the stringent HDTV / DVD requirements
- Isolated or grounded versions
- "D" shaped housing (provides flush mounting and protection of the jacks from damage) or single feed through mountings
- Gold plated center contact



Ordering Information

| | Nickel housing | Black housing |
|--|----------------|---------------|
| Bulkhead jack, D-shape housing, feed through, grounded | NBB75DFG | NBB75DFGB |
| Bulkhead jack, D-shape housing, feed through, isolated | NBB75DFI | NBB75DFIB |
| Bulkhead jack, D-shape housing, solder version, grounded | NBB75DSG | NBB75DSGB |
| Bulkhead jack, D-shape housing, solder version, isolated | NBB75DSI | NBB75DSIB |
| Bulkhead jack, feed through, grounded | NBB75FG | |
| Bulkhead jack, feed through, isolated | NBB75FI | |
| Bulkhead jack, solder version, including isolation washers | NBB75SI | |

| Specifications | rearTWIST & rearTWIST Large & Cable Jack Panel | rearTWIST Tiny & Cable Jack Tiny | pushPULL | Bulkheads |
|----------------|--|----------------------------------|----------|-----------|
|----------------|--|----------------------------------|----------|-----------|

| Electrical | | | | |
|---------------------------------|---|---|--|---|
| Impedance | 75 Ω | • | • | • |
| Rated voltage | 500 V ac rms | • | 250 V ac rms | • |
| Insulation resistance | > 5 GΩ | • | • | • |
| Dielectric withstanding voltage | 1500 V ac rms | • | 750 V ac rms | • |
| VSWR / Return Loss | ≤ 1.050 / > 32 dB up to 1 GHz ≤ 1.065 / > 30 dB up to 2 GHz ≤ 1.100 / > 26 dB up to 3 GHz | • | ≤ 1.10 / > 26 dB up to 1 GHz ≤ 1.14 / > 24 dB up to 2 GHz ≤ 1.22 / > 20 dB up to 3 GHz | • |
| Inner contact resistance | ≤ 3 mΩ (initial) | • | • | • |
| Outer contact resistance | ≤ 2 mΩ (initial) | • | • | • |

| Mechanical | | | | |
|--------------------------|---------------------|-----------|-----------|--------------------------|
| Cable anchoring | Jacket crimping | • | • | Neutrik® chuck principle |
| Cable O.D. range | mm | 4.0 - 7.7 | 2.5 - 3.8 | 4.0 - 8.0 |
| - Rear Twist Large | | 10.3 | - | - |
| Center contact retention | > 30 N | • | • | - |
| Engagement force | < 25 N | • | • | < 20 N |
| Lifetime | 1'000 mating cycles | • | • | • |

| Material | | | | |
|---|-------|-------|-------|-------|
| Shell: Brass (CuZn39Pb3), Optalloy coated | • | • | • | • |
| PA6 (Push Pull only) | N / A | N / A | • | N / A |
| D-Shape housing: Zinc diecast (ZnAl4Cu1) gal Ni or black Cr plating | N / A | N / A | N / A | • |
| Ground contact: | | | | |
| Bronze (CuSn6), 0.2 μm AuCo over 2 μm NiP15 | • | • | • | - |
| Brass (CuZn39Pb3), OPTALLOY coated | - | - | - | • |
| Center contact: | | | | |
| Brass (CuZn35Pb2), 0.2 μm AuCo or | • | • | • | - |
| Brass (CuZn39Pb3), 0.2 μm AuCo | - | - | - | • |
| Insulator: Teflon PTFE | • | • | • | • |
| Chuck: Polyacetal POM | N / A | N / A | • | N / A |
| Insulation Shell: Polyacetal POM | N / A | N / A | N / A | • |

| Environmental | | | | |
|----------------------|---|---|---|----------------|
| Temperature range | -30°C to +85°C | • | • | -30°C to +40°C |
| Solderability | Complies with IEC 68-2-20 | • | • | N / A |
| Contact crimpability | Complies with IEC 60803 and IEC 60352-2 | • | • | N / A |

Innenkontakt

| I.D. in mm | Materials | Plating | Coding Ring (# of rings on base of contact) |
|------------|-------------------|-----------|---|
| 0.4 | Brass (CuZn39Pb3) | 2 μm AuCo | 0 |
| 0.5 | • | • | 5 |
| 0.6 | • | • | 1 |
| 0.7 | • | • | 2 |
| 0.9 | • | • | 3 |
| 1.1 | • | • | 6 |
| 1.2 | • | • | 4 |
| 1.7 | • | • | 0 |

Colour Coded Accessories and Seals



BST-BNC-*



BS-BNC-*



DSS



SCF



SCDX



SCDP-*

BST-BNC-* Standard boot for the rearTWIST BNCs in black, 9 different colours available.

BS-BNC-* Boot for pushPULL BNCs in black, 9 different colours available, as well as 3 translucent variants.

DSS Lettering plate for D Shape bulkheads.

SCF Rubber sealing cover to protect the connector against dust and moisture

SCDP-* D-Size sealing gaskets, colour coding (*: 0- black, 2- red, 4- yellow, 5- green, 6- blue, 9- white)

SCDX Hinged cover seals D-size chassis connectors, IP42 rated

NZP1RU Panel 1RU D-shape housing

Assembly Tools



CAS-BNC-T



HX-R-BNC



DIE-R-BNC-*



HT-BNC



HX-BNC



DIE-BNC-*

CAS-BNC-T BNC tool case equipped with HX-R-BNC, PT-BNC: Plier tool, CS-BNC: Stripping tool

Note: Dies have to be ordered separately

HX-R-BNC Crimp tool, frame.

DIE-R-BNC-* Crimp tool die for pin and shield for HX-R-BNC.

HT-BNC Spanner tool for the pushPULL BNCs.

HX-BNC Crimp tool, frame (heavy duty).

DIE-BNC-* Crimp tool die for pin and shield for HX-BNC.

Crimp die assignment for HX-BNC

Crimp die assignment for HX-R-BNC

| Crimp die | Hex crimp mm | | Hex crimp inch | | Center pin mm (square crimp) |
|------------|-----------------|------|-------------------|-------|------------------------------------|
| | A | B | A | B | |
| DIE-BNC-CS | 4.06 | 7.01 | 0.160 | 0.276 | 1.6 |
| DIE-BNC-JD | 5.41 | 4.53 | 0.213 | 0.178 | 1.6 |
| DIE-BNC-PG | 6.47 | 5.00 | 0.255 | 0.197 | 1.6 |
| DIE-BNC-U | 7.36 | - | 0.290 | - | 1.6 |
| DIE-BNC-UG | 7.36 | 5.00 | 0.290 | 0.197 | 1.6 |
| DIE-BNC-Y | 8.23 | - | 0.324 | - | 1.6 |

| Crimp die | Hex crimp mm | | | Hex crimp inch | | | Center pin mm (square crimp) |
|---------------|-----------------|------|------|-------------------|-------|-------|------------------------------------|
| | A | B | C | A | B | C | |
| DIE-R-BNC-PDC | 6.47 | 4.53 | 4.06 | 0.255 | 0.178 | 0.160 | 1.6 |
| DIE-R-BNC-PG | 6.47 | 5.00 | - | 0.255 | 0.197 | - | 1.6 |
| DIE-R-BNC-PJ | 6.47 | 5.41 | - | 0.255 | 0.213 | - | 1.6 |
| DIE-R-BNC-PS | 6.47 | 7.01 | - | 0.255 | 0.276 | - | 1.6 |
| DIE-R-BNC-PU | 6.47 | 7.36 | - | 0.255 | 0.290 | - | 1.6 |
| DIE-R-BNC-PY | 6.47 | 8.23 | - | 0.255 | 0.324 | - | 1.6 |
| DIE-R-BNC-Z | 9.73 | - | - | 0.383 | - | - | 1.75 (Hex crimp) |