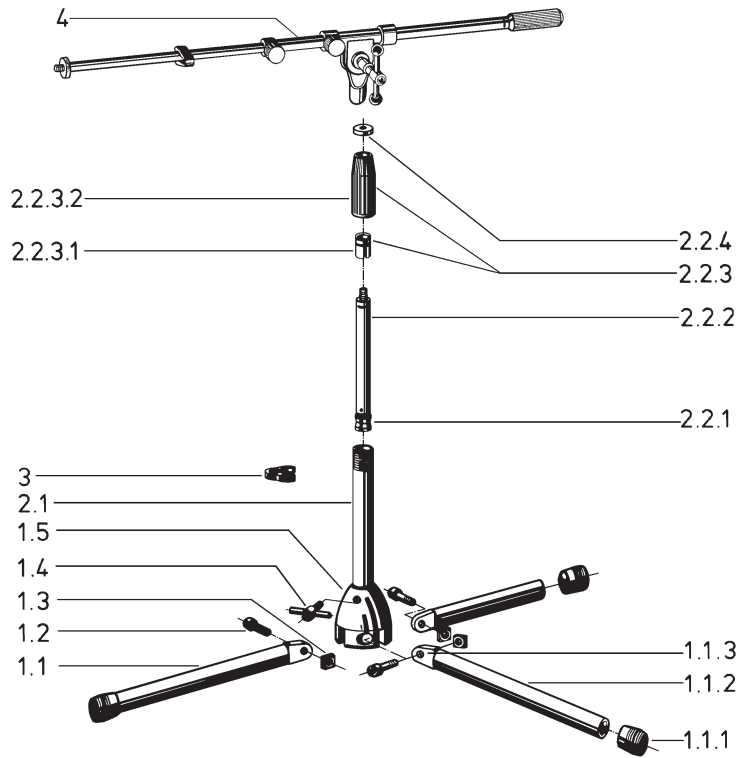


259 Microphone Stand

25900.300.01 nickel

25900.300.02 chrome



pos.	description	art.-no. nickel	art.-no. chrome	qty
1	complete base, consisting of:	7.259.000101	7.259.000102	1
1.1	complete leg, consisting of:	7.259.000201	7.259.000202	3
1.1.1	end-caps	01.94.885.55	01.94.885.55	1
1.1.2	leg tubing	02.82.600.01	02.82.600.02	1
1.1.3	plastic connector joint	01.87.930.55	01.87.930.55	1
1.2	allen screw M5 x 30 mm	03.02.165.00	03.02.165.00	3
1.3	locking nut M5	03.08.210.29	03.08.210.29	3
1.4	toggle screw M8	7.200.000301	7.200.000301	1
1.5	socket	02.41.140.55	02.41.140.55	1
2	rod combination cpl., consisting of:	7.259.030301	7.259.030302	1
2.1	base rod	02.75.120.01	02.75.120.02	1
2.2	extension rod cpl., consisting of:	7.259.030401	7.259.030402	1
2.2.1	plastic stop	01.85.070.55	01.85.070.55	1
2.2.2	extension rod with 3/8" thread	7.259.030501	7.259.030502	1
2.2.3	sleeve assembly cpl., consisting of:	7.200.000555	7.200.000555	1
2.2.3.1	plastic ring	01.86.820.55	01.86.820.55	1
2.2.3.2	plastic tightening sleeve	01.86.920.55	01.86.920.55	1
2.2.4	aluminum threaded washer 3/8"	03.31.525.00	03.31.525.00	1
3	plastic cable holder ø 20 mm	01.85.970.55	01.85.970.55	1
4	boom-arm 211/1	21110.300.01	21110.300.02	1