

ZX5





ZX5



The Future is now!

Electro-Voice™ is the pioneer of composite pro audio speakers. It all started in 1982: when the 100S was launched as the world's first professional 12" speaker in a lightweight composite enclosure. It was followed by the very popular S200 in 1984. In 1994, the Sx200 made it's debut, setting new standards in performance and coverage. The Sx200 used an EVM® woofer, the DH2010A 1" compression driver and Varipath™ horn geometry. Then, in 1997, the Sx300 arrived featuring a DL woofer and incorporating EV's RMD™ (Ring-Mode-Decoupling) technology.

The Sx Series has since become the industry standard for pro audio speaker applications worldwide. Now, after more than 20 years of making composite speakers, EV once again raises the performance standard in professional sound reinforcement with the launch of the **Zx5**.



ZX5

Think light!

A unique combination of audio performance, versatility, aesthetics and light weight. You won't find another speaker system on the market that offers the outstanding sound quality, range of versatility, and tremendous output capability of the **Zx5** anywhere near its size and weight.

- No-compromise design
- Adjustable monitor angle (45° or 55°)
- Elegant enclosure with full-face grille for clean, professional look
- Integral rigging points and inserts for unlimited flying options
- All new DVX3150 15" woofer, with 500 watts (AES) continuous power handling
- Full line of accessories for all types of installations
- All new ND2, 2" voice coil, 1" exit neodymium driver
- 60° x 60° or 90° x 50° coverage pattern

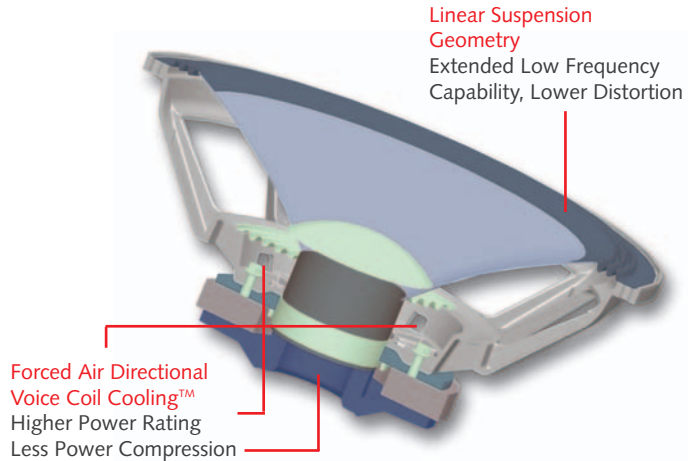


ZX5



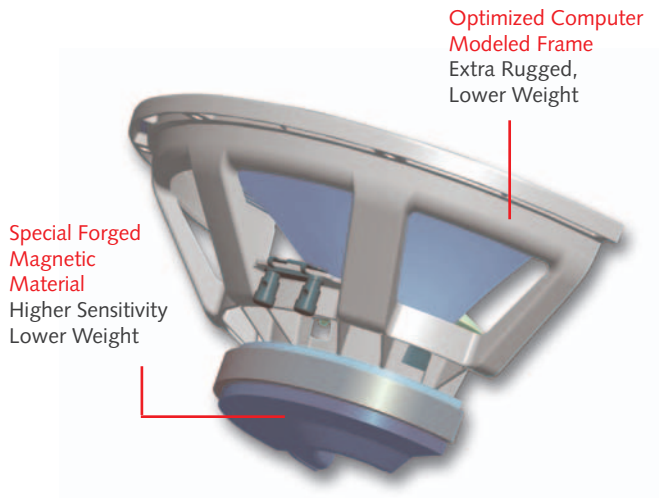
EV components - the key for highest audio performance

For more than 75 years, Electro-Voice™ has been one of the very few manufacturers that designs and manufactures its own loudspeaker components to ensure the highest possible audio performance of a loudspeaker system. The **Zx5** is the first speaker to feature EV's all-new DVX series of woofers, as well as the ND2 neodymium compression driver.



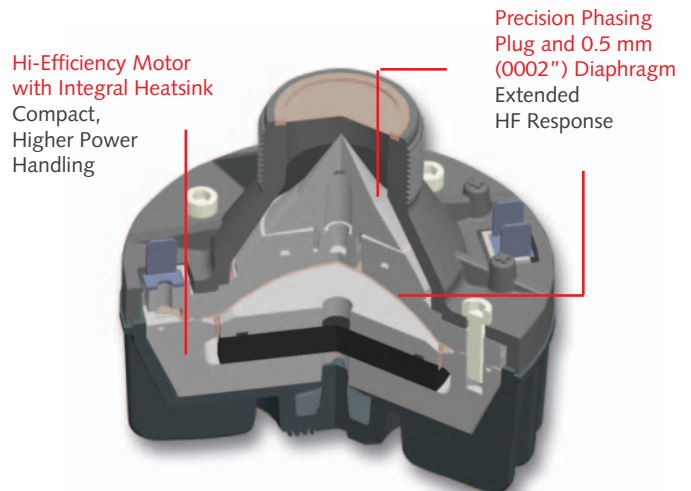
DVX3150 Forced Air Cooled 500W LF Transducer

Cool air enters through frame under spider, flows around the voice-coil to absorb heat, and exits through differential pressure vent in pole piece. Computer aided design used for suspension components enable dynamic linearity at very high output levels, reducing distortion to levels below audibility.

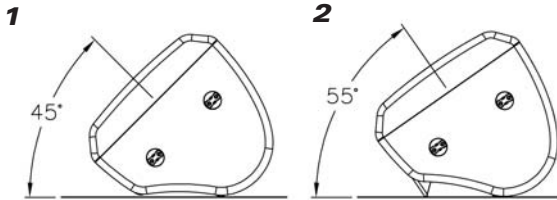


ND2 2 inch voice coil diameter Compression Driver

High-energy, compact Neodymium motor provides extended response, and is very lightweight. Aluminum heatsink supplies additional power handling for maximum output, while reducing size and weight to a minimum. 0.5 mm (0.002") titanium diaphragm provides reliability, transient response, and great HF.



Always the Perfect solution!



For Monitors

By design, the **Zx5** is also a perfect solution for stage monitors. As different stage sizes require different monitor angles, the **Zx5** offers two angles without any additional accessories.



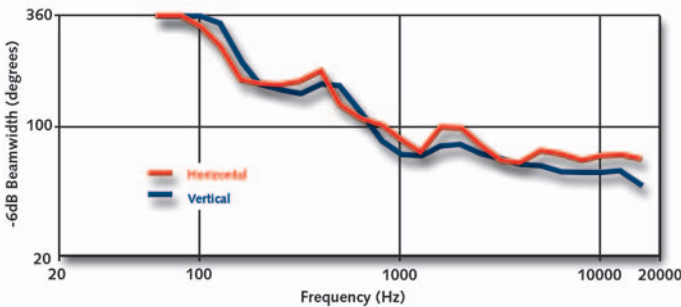
For Installations

The **Zx5** is available in black or white finish. Both have a cloth-backed, full-face grille for a clean professional look. For outdoor applications there is a PI with stainless steel grille, hydrophobic cloth, and waterproofed gland nut at the output.

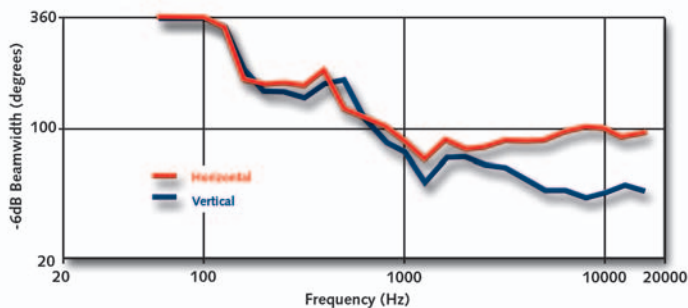
Zx5-60 60° x 60° coverage For long-throw and cluster applications

Computer Optimized HF Waveguides

Different applications require different coverage patterns. **Zx5** has two available: 90° x 50° for wider areas, 60° x 60° for longer throw and high intelligibility in reverberant spaces. Both provide smooth, even response on and off-axis.



Zx5-90 90° x 50° coverage For wider coverage or shorter distances

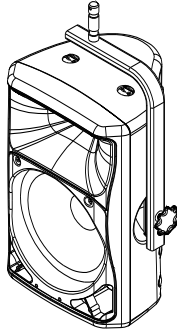


The most versatile speaker in the world

Zx5 mounted with MB-5
(wall/ceiling bracket)



Zx5 mounted with PSA-V
"Strong Arm" using HA-5



Integrated Rigging and Suspension

Single-button fittings can be used top, bottom, or rear with internal steel anchor plates. 10 x M8 threaded points that can be used to suspend the speaker in several orientations. Wall mounting and array brackets for many applications are available.

Zx5 - flying individual
using the integral
attachment points



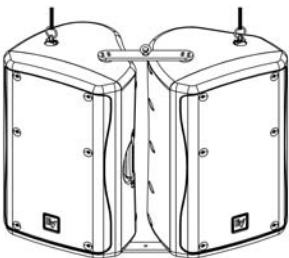
Zx5 - 2-cabinet
vertical array using 2 EBK-3



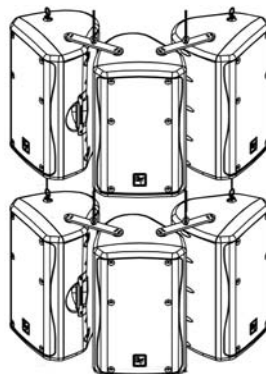
Accessories for more versatility

The MB-5 mounting bracket allows for quick, easy and safe mounting of the **Zx5** on to walls or ceilings. The CB-5 cluster bracket kit is used to create larger arrays with **Zx5**. Both angles 60° and 90° are provided. For permanent hanging the EBK-3 eyebolt kit is available. A kit of three single-stud fittings, the SSK-1 offers quick release for mobile applications.

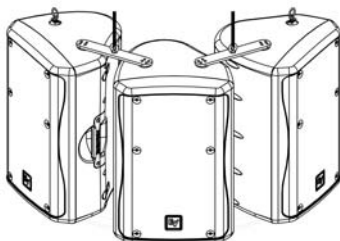
Zx5 - 2-cabinet array
using 1 CB-5 cluster
bracket kit



Zx5 - 6-cabinet cluster
using 4 CB-5 cluster
bracket kits



Zx5 - 3-cabinet horizon-
tal array using 2 CB-5
cluster bracket kits



Quality Made in USA

Quality is inherent in using and owning any Electro-Voice™ product, and we stand behind that. Every **Zx5** is built of premium-quality materials and is carefully tested to ensure customers satisfaction. All EV speakers are backed by a five-year parts-and-labor limited warranty.

ZX5

Specifications

	Zx5-60	Zx5-90
Frequency Response* (-3 dB)	58 Hz - 15 kHz	
Frequency Response* (-10 dB)	41 Hz - 20 kHz	
Power Handling (long term/Peak)	600W/2400W	
Sensitivity 1W/1m	98 dB	
Max SPL (calc.)	132 dB	
Low Frequency Driver	DVX3150, 15" woofer	
High Frequency driver	ND2, 2" voice coil compression driver	
Box Tuning Frequency	50 Hz	
X-over frequency	1500 Hz	
Impedance (nom./min.)	8 Ohms / 6.5 Ohms	
Dispersion (H x V)	60° x 60°	90° x 50°
Input connector	Speakon NL4 (Black and white version) Gland Nut with SOJ Cable (PI versions)	
Suspension:	5 location point points for single-stud attachment plates (2 on top, 2 on bottom, 1 on rear), 3 anchor plates equipped. 10 metric inserts (M8) integrated polmount adapter	
Enviromental Spec:	IEC529 IP24 / IP44 for PI version	
Dimensions H/W/D	686mm x 445mm 406mm (27.00" x 17.50" x 16.00")	
Net Weight/ Shipping Weight	21.3kg (41 lbs)	
	23.2kg (51 lbs)	

* Half Space

Americas

Telex Communications Inc. 12000 Portland Ave South, Burnsville, MN 55337, USA
USA-Phone: 1-800-392-3497, Fax: 1-800-955-6831
Canada-Phone: 1-866-505-5551, Fax: 1-866-336-8467
Latin America-Phone: 1-952-887-5532, Fax: 1-952-736-4212

Europe, Africa & Middle-East

Telex EVI Audio GmbH. Hirschberger Ring 45, D 94315, Straubing, Germany
Phone: +49 9421-706 0, Fax: +49 9421-706 265
France: EVI Audio France S.A. Parc de Courcerin, All'Èe Lech Walesa, F 77185 Lognes, France
Phone: +33 1-6480-0090, Fax: +33 1-6006-5103
UK: Shuttlesound Ltd., The Willows Centre, Willow Lane, Mitcham, Surrey CR4 4NX, UK
Phone: +44 208 646 7114, Fax: +44 208 640 7583

Asia & Pacific Rim

Japan: EVI Audio Japan Ltd. 5-3-8 Funabashi, Setagaya-Ku, Tokyo, Japan 156-0055
Phone: +81 3-5316-5020, Fax: +81 3-5316-5031
China: EVI Audio (HK) Ltd. 7th Floor China Minmetals Tower, No. 79 Chatham Road South,
Tsim Sha Tsui, Kowloon, HK, Phone: +852 2351-3628, Fax: +852 2351-3329
Singapore: Telex Pte. Ltd. 3015A Ubi Road 1, 05-10 Kampong Ubi Industrial Estate, Singapore 408705
Phone: +65 6746-8760, Fax: +65 6746-1206

WARNING
ENCLOSURE WORKING-LIMIT STRUCTURAL RATINGS

NEVER EXCEED THE WORKING-LIMIT WEIGHT CAPACITY. WEIGHT BASED ON CABINETS BY 2007-1 SINGLE STACK OFFICE AND GROUPS. ALWAYS WEAR YOUR SAFETY BELT. ALWAYS WEAR YOUR SAFETY BELT. ALWAYS WEAR YOUR SAFETY BELT. ALWAYS WEAR YOUR SAFETY BELT. ALWAYS WEAR YOUR SAFETY BELT.



ZX5-90
PASSIVE / FULL RANGE CABINET
90° x 90° COVERAGE PATTERN
IMPEDANCE: 8 OHMS
POWER: 600 WATTS

EV ELECTRO-VOICE
BURNSVILLE, MN

570384-000

8 ohm
PIN 1 - FR+
PIN 1 - FR-
PIN 2 - RC+
PIN 2 - RC-

PARALLEL
INPUTS

CE

