



**FOLDS
 CLOSE TO
 THE WALL**

BT8221

ULTRA-SLIM DOUBLE ARM FLAT SCREEN WALL MOUNT WITH TILT & SWIVEL



Designed to mount large screens up to 65", this ultra-slim double arm wall mount features a tilting interface and three swivel points, allowing quick and easy repositioning of screens as required - whether folded flat to the wall at a depth of just 37mm or at maximum extension. Coverplates to hide fixings and integrated cable management help make this a neat and tidy mounting solution which is ideal for commercial applications as well as home installations.

SPECIFICATION

Recommended screen size	up to 65"
Max load	36kg
VESA® compatibility	up to 600 x 400
Universal fixings	up to 600 x 400mm
Tilt	+/-15°
Swivel	180° at wall, 360° at central pivot & 180° at interface
Distance from wall	Min: 37mm - Max: 560mm
Colour	Black or White

FEATURES

- Ultra-slim design allows close to the wall installation when folded flat
- Easy tilt and swivel adjustment
- Features three swivel points: 180° at wall, 360° at central pivot and 240° at interface
- Lateral adjustment of screen once mounted
- Integrated cable management
- Simple 'hook-on' installation with all mounting hardware included
- Attractive coverplates included to hide fixings
- Simple 'hook-on' installation with all mounting hardware included



65" 165cm | VESA 600 400 | 36KG | 15° 15° | 180° | Lateral adjustment | Folded flat



Ultra-slim design mounts screen only 37mm from wall when folded flat



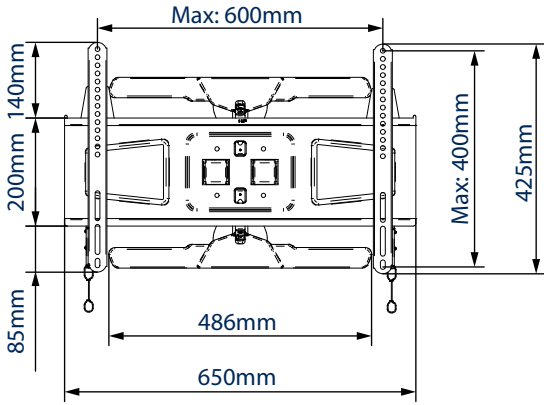
Integrated cable management for a neat and tidy installation



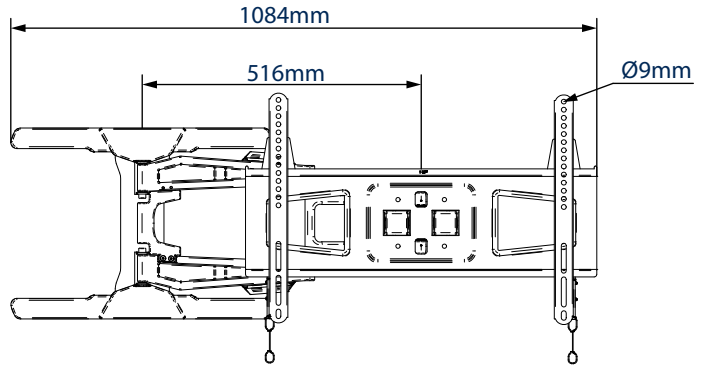
Interface arms can be padlocked to help prevent unauthorised removal of screen (padlock not included)



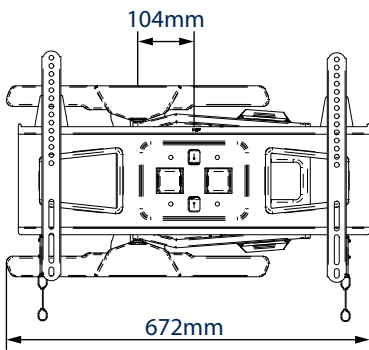
Also available in white



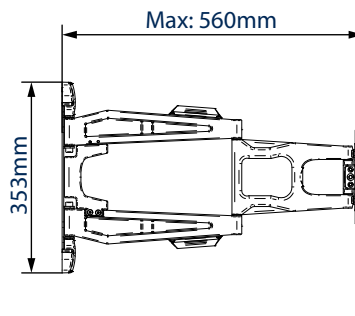
FRONT VIEW - MAXIMUM EXTENSION



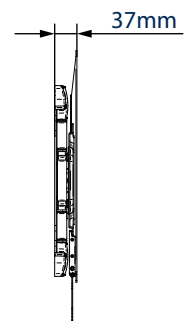
FRONT VIEW WITH ARM EXTENDED TO SIDE



FRONT VIEW - FLAT TO WALL



SIDE VIEW - MAXIMUM EXTENSION



SIDE VIEW - FLAT TO WALL

PACKING INFORMATION

ORIGINAL DESIGNS BY B-TECH AV MOUNTS - REGISTERED DESIGNS & PATENTS APPLY

COLOUR:	ORDER REF:	EAN CODE:	MASTER CARTON QTY:	INNER CARTON QTY:	MASTER CARTON WEIGHT:	MASTER CARTON CUBE:
Black	BT8221/B	5019318759031	2	0	16.25kg	0.069cbm
White	BT8221/W	5019318759598	2	0	16.25kg	0.069cbm

ACCESSORIES AND SIMILAR PRODUCTS



BTV914
Universal Soundbar Mount fits directly to BT8221 to mount a soundbar under your screen



BT8225
Twin Cantilever Arm Wall Mount with Tilt & Swivel designed for screens up to 75"



BT7535
Double Arm Wall Mount with Tilt & Swivel designed for screens up to 50"



BTV504
Double Arm Wall Mount with Tilt & Swivel designed for screens up to 42"

© 2019 B-Tech Mounts of France, All rights reserved.
The information in this specific and descriptive current technical specifications at the time of print.
We reserve the right to change the technical or physical specifications without prior notice. The B-Tech name and B-Tech logo are registered trademarks of B-Tech International Ltd.
B-Tech accepts no liability for loss or damage caused by improper or mounting on unsuitable surfaces. Any reproduction or retransmission or publication of any part of this specification is expressly prohibited unless prior written permission has been granted by B-Tech International Ltd. (BTL).

SS-V5-BT8221-010819