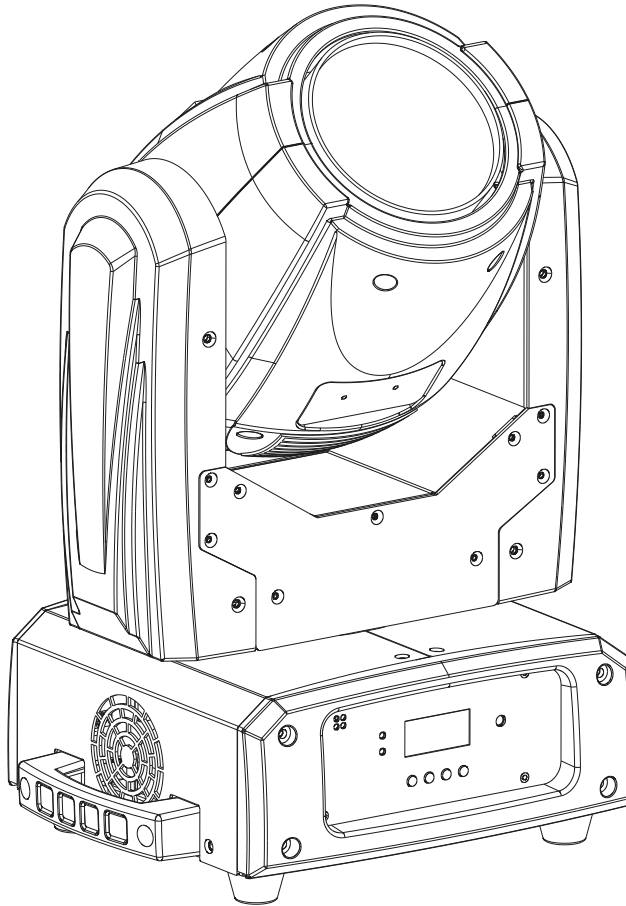


BT-TRACKER



ENGLISH

Operation Manual

Other languages can be downloaded from:
WWW.BRITEQ-LIGHTING.COM



Version: 1.0





EN - DISPOSAL OF THE DEVICE

Dispose of the unit and used batteries in an environment friendly manner according to your country regulations.

FR - DÉCLASSER L'APPAREIL

Débarrassez-vous de l'appareil et des piles usagées de manière écologique Conformément aux dispositions légales de votre pays.

NL - VERWIJDEREN VAN HET APPARAAT

Verwijder het toestel en de gebruikte batterijen op een milieuvriendelijke manier conform de in uw land geldende voorschriften.

DU - ENTSORGUNG DES GERÄTS

Entsorgen Sie das Gerät und die Batterien auf umweltfreundliche Art und Weise gemäß den Vorschriften Ihres Landes.

ES - DESHACERSE DEL APARATO

Reciclar el aparato y pilas usadas de forma ecologica conforme a las disposiciones legales de su país.

PT - COMO DESFAZER-SE DA UNIDADE

Tente reciclar a unidade e as pilhas usadas respeitando o ambiente e em conformidade com as normas vigentes no seu país.

OPERATION MANUAL

Thank you for buying this Briteq® product. To take full advantage of all possibilities and for your own safety, please read these operating instructions very carefully before you start using this unit.

FEATURES

- A super compact but very powerful moving beam projector based on the brand-new [SIRIUS HRI-100] discharge lamp from OSRAM!
- The advanced optics guarantee an incredibly bright beam with excellent specs:
 - Brightness : 310'000 lux @ 5m and 77'000 lux @ 10m!
 - 3° Beam angle
 - 10 sharp gobos + 3beam shapers + open
 - 14 carefully selected dichroic colors + open
 - Very fast mechanical dimmer/shutter
 - Different strobe functions
- 8-facet rotating prism with different macros, controlled by DMX
- The very fast pan/tilt movements (540°/270°) assure very dynamic show programming.
- Two DMX-modes:
 - [PRO]: 12ch mode with 16bit resolution pan/tilt resolution and position correction.
 - [AUTO]: 5ch mode with music controlled pan/tilt + control for dim, strobe, gobo, color, P/T speed.
- The backlit LCD-display assures easy navigation in the different setup menus
- Easy firmware updates keep your machine up-to-date at all times (optional firmware updater needed)
- Remote lamp on/off control
- Neutrik® 3pin in/outputs for maximum flexibility in a professional environment
- Neutrik® Powercon in/outputs: up to 16A can be daisy chained for easy installation

BEFORE USE

- Before you start using this unit, please check if there's no transportation damage. Should there be any, do not use the device and consult your dealer first.
- **Important:** This device left our factory in perfect condition and well packaged. It is absolutely necessary for the user to strictly follow the safety instructions and warnings in this user manual. Any damage caused by mishandling is not subject to warranty. The dealer will not accept responsibility for any resulting defects or problems caused by disregarding this user manual.
- Keep this booklet in a safe place for future consultation. If you sell the fixture, be sure to add this user manual.

Check the contents:

Check that the carton contains the following items:

- Operating instructions
- BT-TRACKER
- Omega Bracket
- Powercon cable

SAFETY INSTRUCTIONS:



CAUTION
RISK OF ELECTRIC SHOCK
DO NOT OPEN



CAUTION: To reduce the risk of electric shock, do not remove the top cover. No user-serviceable parts inside. Refer servicing to qualified service personnel only.



The lightning flash with arrowhead symbol within the equilateral triangle is intended to alert the user to the presence of un-insulated "dangerous voltage" within the product's enclosure that may be of sufficient magnitude to constitute a risk of electric shock.



The exclamation point within the equilateral triangle is intended to alert the user to the presence of important operation and maintenance (servicing) instructions in the literature accompanying this appliance.



This symbol means: indoor use only



This symbol means: Read instructions



This symbol means: Safety Class I appliance



This symbol determines: the minimum distance from lighted objects. The minimum distance between light-output and the illuminated surface must be more than 12 meters



The device is not suitable for direct mounting on normally flammable surfaces. (suitable only for mounting on non-combustible surfaces)

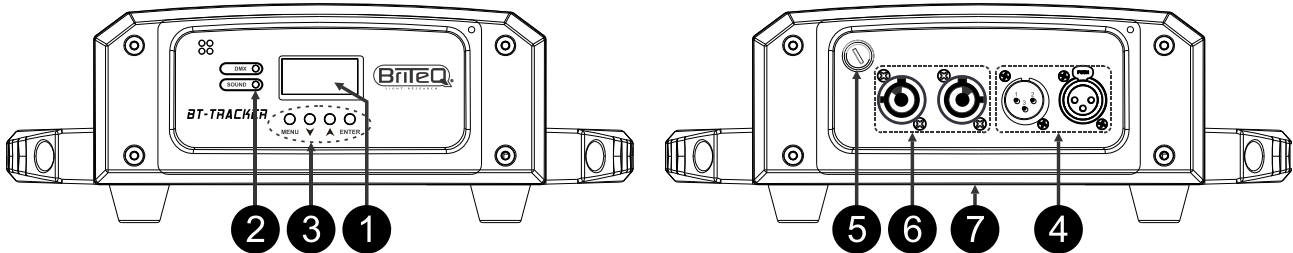
- To protect the environment, please try to recycle the packing material as much as possible.
- A new light effect sometimes causes some unwanted smoke and/or smell. This is normal and disappears after some minutes.
- To prevent fire or shock hazard, do not expose this appliance to rain or moisture.
- To avoid condensation to be formed inside, allow the unit to adapt to the surrounding temperatures when bringing it into a warm room after transport. Condense sometimes prevents the unit from working at full performance or may even cause damages.
- This unit is for indoor use only.
- Don't place metal objects or spill liquid inside the unit. Electric shock or malfunction may result. If a foreign object enters the unit, immediately disconnect the mains power.
- Locate the fixture in a well ventilated spot, away from any flammable materials and/or liquids. The fixture must be fixed at least 50cm from surrounding walls.
- Don't cover any ventilation openings as this may result in overheating.
- Prevent use in dusty environments and clean the unit regularly.
- Keep the unit away from children.
- Inexperienced persons should not operate this device.
- Maximum safe ambient temperature is 40°C. Don't use this unit at higher ambient temperatures.
- The units' surface temperature may reach up to 85°C. Don't touch the housing with bare hands during its operation.
- Make sure the area below the installation place is free from unwanted persons during rigging, de-rigging and servicing.
- Allow the device about 10 minutes to cool down before replacing the bulb or start servicing.
- Always unplug the unit when it is not used for a longer time or before replacing the bulb or start servicing.
- The electrical installation should be carried out by qualified personal only, according to the regulations for electrical and mechanical safety in your country.
- Check that the available voltage is not higher than the one stated on the rear panel of the unit.
- The power cord should always be in perfect condition. Switch the unit immediately off when the power cord is squashed or damaged. It must be replaced by the manufacturer, its service agent or similarly qualified persons in order to avoid a hazard.
- Never let the power-cord come into contact with other cables!
- This fixture must be earthed in order to comply with safety regulations.
- Don't connect the unit to any dimmer pack.
- Always use an appropriate and certified safety cable when installing the unit.
- In order to prevent electric shock, do not open the cover. Apart from the lamp and mains fuse there are no user serviceable parts inside.
- **Never** repair a fuse or bypass the fuse holder. **Always** replace a damaged fuse with a fuse of the same type and electrical specifications!
- In the event of serious operating problems, stop using the fixture and contact your dealer immediately.

- The housing and the lenses must be replaced if they are visibly damaged.
- Please use the original packing when the device is to be transported.
- Due to safety reasons it is prohibited to make unauthorized modifications to the unit.

Important: Never look directly into the light source! Don't use the effect in the presence of persons suffering from epilepsy.

HOW TO SET UP THE UNIT

CONTROL PANEL:



1. **DISPLAY:** shows the various menus and the selected functions.
2. **LEDS**

[DMX]	On	DMX input present
[SOUND]	Blinking	Microphone detects audio

3. **BUTTONS**

[MENU]	To select the programming functions
▲	To go backward in the selected functions
▼	To go forward in the selected functions
[ENTER]	To confirm the selected functions

4. **DMX IN/OUTPUTS:** used for DMX512 linking, you can use good quality balanced signal cables with 3pin XLR-connectors.
5. **MAINS FUSE:** this fuse only protects the electronics of the projector, mains input/output (6) is not fused.
6. **MAINS INPUT / OUTPUT:** with PowerCON® sockets, connect the supplied mains cable here, you can daisy chain several units, up to max 16A. Input and output are connected to each other without any fuse.
7. **OMEGA CLAMPS:** used for rigging, see further.

Hint: Please check our website for special cable assemblies that contain both power (3x1.5mm² with Neutrik PowerCON®) and balanced signal (XLR 3pin) in one cable. Different lengths are available: 1.3m, 3m, 5m and 10m, very convenient!

LAMP (RE)PLACEMENT



In case of replacement of the lamp or maintenance, do not open the fixture within 10 minutes until the unit cools down after switching off. Always unplug the unit before servicing! Always use the same type of spare parts (bulbs, fuses, etc.) When replacing parts, please only genuine spare parts.

Because of its high internal pressure, there might be a risk that the Discharge lamp would explode during operation. The lamp emits intense UV radiation which is harmful to the eyes and skin. The high luminance of the arc can cause severe damage to the retina if you take a close look at the lamp.

To protect the lamp, always turn off the lamp first (via control panel or DMX controller) and let the unit run at least five minutes to cool down before switching off the mains supply. Never handle the lamp or luminary when it is hot.

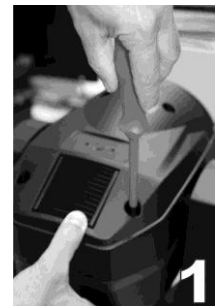
Wear gloves, do not touch the bulb with bare hands. If this happens, clean the lamp with denatured alcohol and wipe it with a lint free cloth before installation.

When lighting up, the lamp operates at high pressure and there is a slight risk of arc tube rupture. The risk increases with age, temperature and improper handling of the lamp.

Do not use the lamp longer than its lifespan.

Make sure the lamp is located in the center of the reflector for the best projection.

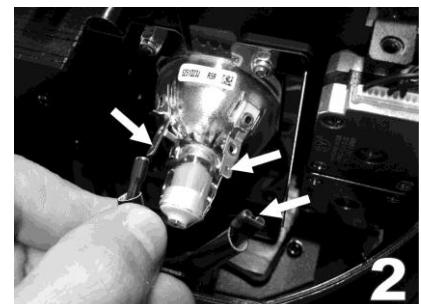
- Switch off the unit and unplug the mains cable.
- Wait for about 10 minutes until the unit has been cooled down.
- Use a screwdriver to unscrew the screws to open the cover of the fixture.(Fig. 1)



- Inside you will see the OSRAM [SIRIUS HRI-100] lamp.

Attention: wear gloves, do not touch the bulb with bare hands. If this happens, clean the lamp with denatured alcohol and wipe it with a lint free cloth before installation. Not doing this will shorten the life of the new lamp!

- Remove the cables gently from the lamp terminals (Fig.2)



- Use the hotspot adjustment screw to make sure that the lamp is not jammed. (Fig.3)



- First push the lamp GENTLY down.
- Now tilt the lamp GENTLY towards you (see arrow on Fig. 4)

With these 2 actions you should be able remove the lamp.
If you cannot remove the lamp, please check if it is not jammed: eventually change the position of the lamp a little as explained in Fig.3



- Think of wearing gloves to avoid direct contact with the lamp!
- Insert the new lamp and push it GENTLY down.
Important: ONLY use an original OSRAM [SIRIUS HRI-100] lamp, other lamps could result in less performance or even damage the unit.
- Now tilt the lamp GENTLY in place (see arrow on Fig. 5)
- Place the cable on the terminals of the new lamp, make sure that the connection is tight.
Attention: be sure that the wires don't touch the lamp.



- Switch the unit back on and use a DMX controller to point the open beam on a wall.

Attention: avoid looking at light coming directly from the lamp inside the unit, the UV-radiation of the lamp is harmful for your eyes. (the light of the beam passes through a UV-filter first)

- You will see a hotspot in the beam projected on the wall. Adjust this hotspot using the screw as shown in Fig. 6. The hotspot should be as much as possible in the center of the beam.
- Close the cover
- Done

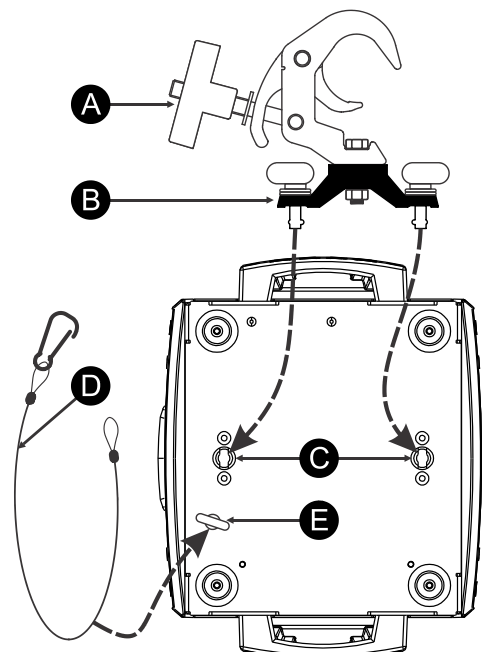


OVERHEAD RIGGING

- **Important:** The installation must be carried out by qualified service personal only. Improper installation can result in serious injuries and/or damage to property. Overhead rigging requires extensive experience! Working load limits should be respected, certified installation materials should be used, the installed device should be inspected regularly for safety.
- Make sure the area below the installation place is free from unwanted persons during rigging, de-rigging and servicing.
- Locate the fixture in a well ventilated spot, far away from any flammable materials and/or liquids. The fixture must be fixed **at least 50cm** from surrounding walls.
- The device should be installed out of reach of people and outside areas where persons may walk by or be seated.
- Before rigging make sure that the installation area can hold a minimum point load of 10times the device's weight.
- Always use a certified safety cable that can hold 12times the weight of the device when installing the unit. This secondary safety attachment should be installed in a way that no part of the installation can drop more than 20cm if the main attachment fails.
- The device should be well fixed; a free-swinging mounting is dangerous and may not be considered!
- Don't cover any ventilation openings as this may result in overheating.
- The operator has to make sure that the safety-relating and machine-technical installations are approved by an expert before using them for the first time. The installations should be inspected every year by a skilled person to be sure that safety is still optimal.

Installation:

1. Fix the (optional) Truss clamp (A) to the Omega clamp (B) with screw and locking nut.
2. Fasten the omega clamp (B) on the bottom of the base by inserting quick-lock fasteners into the holes of the base (C) and tighten fully clockwise.
3. Hang the fixture on the truss using the Omega clamp (B) and tighten well.
4. Fix the safety cable (D) through the safety eye (E) on the bottom of the base and wrap the safety cable around the truss.

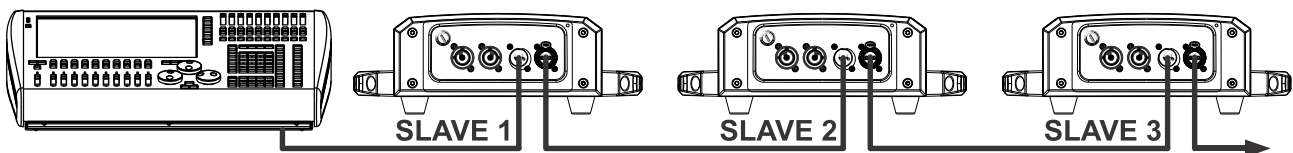
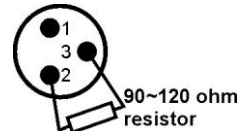


ELECTRICAL INSTALLATION + ADDRESSING

⚠ Important: The electrical installation should be carried out by qualified personal only, according to the regulations for electrical and mechanical safety in your country.

Electrical installation for two or more units in DMX-mode:

- The DMX-protocol is a widely used high speed signal to control intelligent light equipment. You need to “daisy chain” your DMX controller and all the connected units with a good quality balanced cable.
- Both XLR-3pin and XLR-5pin connectors are used, however XLR-3pin is more popular because these cables are compatible with balanced audio cables.
Pin layout XLR-3pin: Pin1 = GND ~ Pin2 = Negative signal (-) ~ Pin3 = Positive signal (+)
Pin layout XLR-5pin: Pin1 = GND ~ Pin2 = Negative signal (-) ~ Pin3 = Positive signal (+) ~ Pins4+5 not used.
- To prevent strange behavior on the dmx units, due to interferences, you must use a 90Ω to 120Ω terminator at the end of the chain. Never use Y-splitter cables, this simply won't work!
- Make sure that all units are connected to the mains.
- Each unit in the chain needs to have its proper starting address so it knows which commands from the controller it has to decode. In the next section you will learn how to set the DMX addresses.



OPERATING INSTRUCTIONS

- Do not switch the unit on and off in short time intervals as this reduces the lamp life.
- Always unplug the unit when it is not used for a longer time or before replacing the bulb and or making the service.
- In the event of serious operating problems, stop using the fixture and contact your dealer immediately.
- **Important:** Never look directly into the light source! Don't use the effect in the presence of persons suffering from epilepsy.

Every time you turn on the unit, it will run built-in program to reset all motors to their home position and perform some checks, you may hear some noises for about 20 seconds. If one of the checks fail during the reset the error information will be shown.

MAIN MENU:

- To select any of the functions, press the [MENU] button up to when the required one is shown on the display or use the ▲/▼ buttons to browse the menu.
- Select the function with the [ENTER] button (the display blinks).
- Use the ▲/▼ buttons to change the mode.
- Once the required mode is selected, press the [ENTER] button to select.
- Press the [MENU] button for about 2 seconds to store the setting and to return to running mode. If you don't do this, the setting will not be stored and after about 8 seconds, the fixture will return to the previous running mode.

[DMX Address]

Used to set the starting address in a DMX setup.

- Press the [MENU] button until [DMX Address] is shown on the display.
- Press the [ENTER] button, the display starts blinking.
- Use the ▲/▼ buttons to change the DMX512 address.
- Once the correct address shows on the display, press the [ENTER] button to select it.
- Press the [MENU] button for about 2 seconds to store the setting and to return to running mode.

[Channel mode]

Used to set the desired channel setup mode.

- Press the [MENU] button until [Channel mode] is shown on the display.
- Press the [ENTER] button, the display starts blinking.
- Use the ▲/▼ buttons to choose [5Ch Auto] or [12Ch]
- Once the desired channel setup mode shows on the display, press the [ENTER] button to select it.
- Press the [MENU] button for about 2 seconds to store the setting and to return to running mode.

[Show Mode]

Used to choose the Show mode when used in standalone or master/slave mode.

- Press the [MENU] button until [Show Mode] is showing on the display.
- Press the [ENTER] button, the display starts blinking.
- Use the ▲/▼ buttons to select one of the available shows:
 - **[Floor]:** Fixture is placed **on the floor**. Tilt movement angle 210°.
 - **[Ceiling]:** Fixture is fixed **under ceiling**. Tilt movement angle 90°.
 - **[Stage FL]:** Fixture is placed **on a podium, in front of the audience**. The spot is always projecting towards the audience in front of the stage. Pan movement angle (left to right to left): 160°. Tilt movement angle: 90° (60° above horizon; 30° below horizon.)
 - **[Stage CE]:** Fixture is fixed **under ceiling**. The spot is mainly projecting in front of the stage. Pan movement angle (left to right to left):160°. Tilt movement angle: 90° (vertically, front 75°; back 15°)
- Once the right mode is shown on the display, press the [ENTER] button to select it.
- Press the [MENU] button for about 2 seconds to store the setting and to return to running mode.

[NO DMX]

Tells the projector how to react when no DMX-signal is received.

- Press the [MENU] button until [NO DMX] is shown on the display.
- Press the [ENTER] button, the display starts blinking.
- Use the ▲/▼ buttons to select:
 - **[Blackout]:** when no DMX-signal is detected, the unit goes in blackout and waits for the DMX-signal.
 - **[Freeze]:** when no DMX-signal is detected, the unit freezes based on the last valid DMX-signal and waits for the DMX-signal.
- Once the right mode is shown on the display, press the [ENTER] button to select it.
- Press the [MENU] button for about 2 seconds to store the setting and to return to running mode.

[Sound Sens]

Used to set the sensitivity of the internal microphone

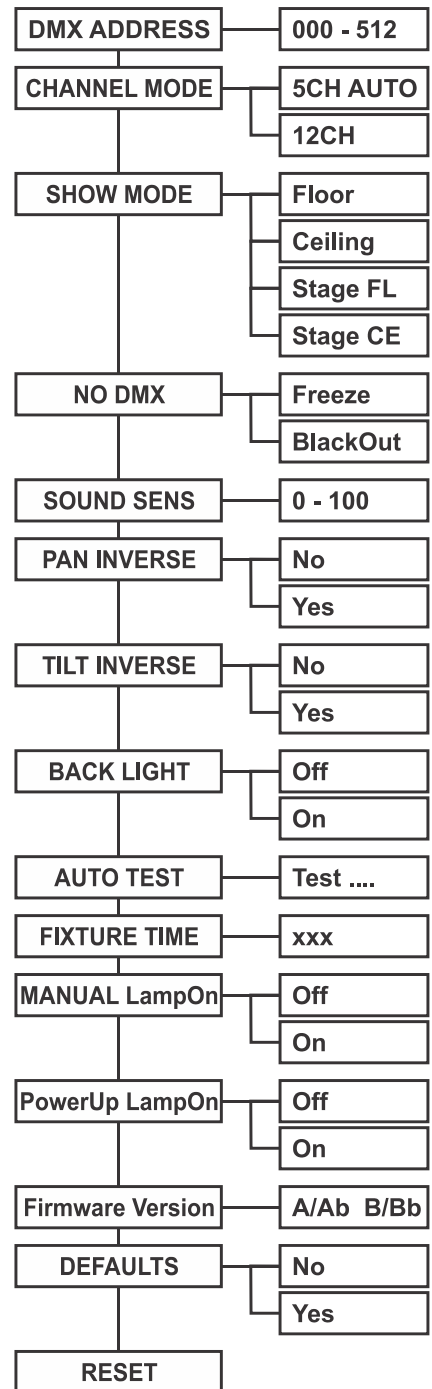
- Press the [MENU] button until [Sound Sens] is shown on the display.
- Press the [ENTER] button, the display starts blinking.
- Use the ▲/▼ buttons to choose a value between “0” (very low sensitivity) and “100” (high sensitivity).
- Once the right value is shown on the display, press the [ENTER] button select it.
- Press the [MENU] button for about 2 seconds to store the setting and to return to running mode.

[Pan Inverse]

Normal: Panning movement is not inverted.

Pan inversion: Panning movement is inverted

- Press the [MENU] button until [Pan Inverse] is shown on the display.
- Press the [ENTER] button, the display starts blinking.



- Use the ▲/▼ buttons to select [No] (normal) or [Yes] (pan inversion) mode.
- Once the mode is selected, press the [ENTER] button to select it.
- Press the **[MENU] button** for about 2 seconds to store the setting and to return to running mode.

[Tilt Inverse]

Normal: Tilt movement is not inverted.

Tilt inversion: Panning movement is inverted

- Press the [MENU] button until [Tilt Inverse] is shown on the display.
- Press the [ENTER] button, the display starts blinking.
- Use the ▲/▼ buttons to select [No] (normal) or [Yes] (pan inversion) mode.
- Once the mode is selected, press the [ENTER] button to select it.
- Press the **[MENU] button** for about 2 seconds to store the setting and to return to running mode.

[Back light]

[Backlight on]: display is always lit.

[Backlight off]: display is dark when not used.

- Press the [MENU] button until the display shows [Back Light].
- Press the [ENTER] button, the display starts blinking.
- Use the ▲/▼ buttons to select [On] (display always lit) or [Off] (display dark when not used).
- Once the right mode is shown on the display, press the [ENTER] button to select it.
- Press the **[MENU] button** for about 2 seconds to store the setting and to return to running mode.

[Auto Test]

Used to activate the internal “self-test” program which checks all possibilities of the unit.

- Press the [MENU] button until the display shows [Auto Test].
- Press the [ENTER] button to start the internal self-test program.
- To go back to the functions press the [MENU] button.

[Fixture Time]

Used to show the number of working hours of the unit.

- Press the [MENU] button until the display shows [Fixture Time].
- Press the [ENTER] button to show the number of working hours in the display.
- To go back to the functions press the [MENU] button.

Note: *this timer is NOT resettable.*

[MANUAL LampOn]

Used to manually turn the lamp on or off.

- Press the [MENU] button until the display shows [MANUAL LampOn].
- Press the [ENTER] button, the display starts blinking.
- Use the ▲/▼ buttons to select [On] (lamp turned on) or [Off] (lamp turned off).
- Once the right mode is shown on the display, press the [ENTER] button to select it.
- Press the **[MENU] button** for about 2 seconds to store the setting and to return to running mode.

[PowerUp LampOn]

You can choose if the lamp is switched on at startup or not.

In 12Ch mode the lamp can be switched on/off using channel 12.

- Press the [MENU] button until the display shows [PowerUp LampOn].
- Press the [ENTER] button, the display starts blinking.
- Use the ▲/▼ buttons to select [On] (lamp turned on at startup) or [Off] (lamp stays off at startup).
- Once the right mode is shown on the display, press the [ENTER] button to select it.
- Press the **[MENU] button** for about 2 seconds to store the setting and to return to running mode.

[Firmware version]

Used to show the software version that is installed in the unit

- Press the [MENU] button until the display shows [Firmware Version].
- Press the [ENTER] button to show the software version on the display.
- To go back to the functions press the [MENU] button.

[Defaults]

Used to set the projector back to the factory default settings

- Use the ▲/▼ buttons to select [Yes] or [No] and confirm by pressing the [ENTER] button.
- When you select [Yes], the following factory settings are loaded:
 - [CHANNEL MODE]: 5ch auto
 - [SHOW MODE]: Floor
 - [NO DMX]: Blackout
 - [SOUND SENS]: 90
 - [PAN INVERSE]: No
 - [TILT INVERSE]: No
 - [BACK LIGHT]: On
 - [MANUAL LampOn]: On
 - [PowerUp LampOn]: On

[Reset]

Used to force a reset of the unit.

- Press the [MENU] button until the display shows “Reset”.
- Press the [ENTER] button to reset the unit.

Please also check the chapter about the DMX-channel configuration of the unit to find out how you can force a reset by DMX.

OFFSET MENU:

This is a hidden menu where you can fine-tune the offset of several functions.

Note: Make sure that the unit is connected to a DMX-controller and set to 12CH channel mode: set ch6 + ch7 to maximum.

To access this menu do as follows: press the [ENTER] button for about 3seconds while you are in the SETUP menu (any option, not important). Now the OFFSET menu (calibration menu) shows up:

- Use the ▼/▲ buttons to browse the menu.
- Select a function with the [ENTER] button.
- Use the ▼/▲ buttons to change the values.
- Press the [ENTER] button to select.
- Press the [MENU] button for about 2 seconds to store the setting and to return to running mode. If you don't do this, the setting will not be stored and after some time, the fixture will return to the previous running mode.

[JOB TIME]

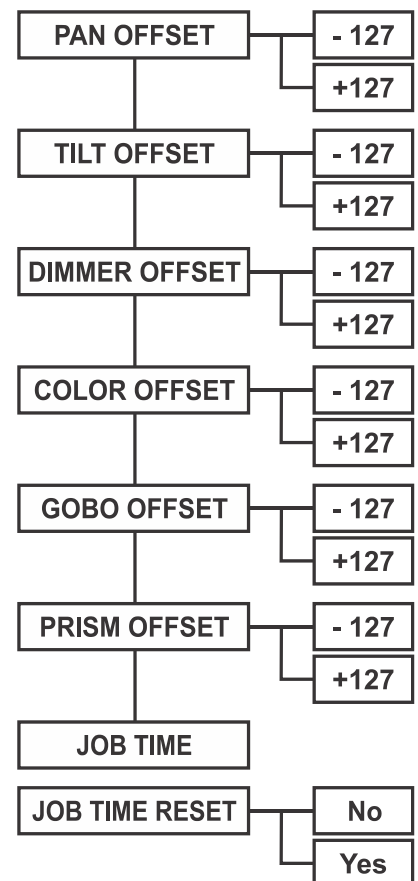
Here you can see how many hours the projector was used during the last job. (nice feature for rental companies)

- Press the [MENU] button until the display shows [JOB Time].
- Press the [ENTER] button to show the number of working hours during the last job.
- To go back to the functions press the [MENU] button.

[JOB TIME RESET]

Used to reset the [JOB Time]

- Press the ▼/▲ buttons until the display shows [JOB Time Reset].
- Press the [ENTER] button, the display starts blinking.
- Use the ▲/▼ buttons to select [No] (no reset) or [Yes] (reset the time).
- To go back to the functions press the [MENU] button.



When all offset adjustments are done, press the [MENU] button for about 2 seconds to store them and to return to running mode.

DMX MODES:

The unit is equipped with 2 different DMX modes:

[5CH AUTO]-MODE

This is the ultimate choice for DJs, small clubs without a light jockey or simply if you don't have time to program a complete show: the [PAN/TILT] movements are controlled by the music, while you still have full control over dimming, strobe, colors, gobo's and [PAN/TILT] speed.

CHANNEL	VALUE	FUNCTION
1	000-255	DIMMER 0%~100%
2	000-007 008-067 068-255	STROBE: Open Random Strobe: Slow → Fast Strobe: Slow → Fast
3	000-008 009-023 024-039 040-055 056-071 072-087 088-103 104-119 120-135 136-151 152-167 168-183 184-199 200-215 216-247 248-255	COLOR: Open Color1 Color2 Color3 Color4 Color5 Color6 Color7 Color8 Color9 Color10 Color11 Color12 Color13 Color14 AUTO color changing
4	000-008 009-023 024-039 040-055 056-071 072-087 088-103 104-119 120-135 136-151 152-167 168-183 184-199 200-215 216-231 232-247 248-255	GOBO: Open Gobo1 Gobo2 Gobo3 Gobo4 Gobo5 Gobo6 Gobo7 Gobo8 Gobo9 Gobo10 Gobo11 Gobo12 Gobo13 Gobo14 Gobo15 AUTO gobo changing
5	000-007 008-255	PAN/TILT SPEED Hold AUDIO control slow → fast

12CH-MODE

Full control over all functions of the projector:

CHANNEL	VALUE	FUNCTION
1	000-255	PAN
2	000-255	PAN FINE
3	000-255	TILT
4	000-255	TILT FINE
5	000-255	PAN/TILT SPEED fast → slow
6	000-255	DIMMER 0%~100%
7	000-007 008-067 068-255	STROBE: Open Random Strobe: Slow → Fast Strobe: Slow → Fast
8	000-008 009-016 017-025 026-033 034-042 043-050 051-059 060-067 068-076 077-084 085-093 094-101 102-110 111-118 119-127 128-189 190-193 194-255	COLOR: Open Color1 Color2 Color3 Color4 Color5 Color6 Color7 Color8 Color9 Color10 Color11 Color12 Color13 Color14 Rotation: Fast → Slow Stop Rotation: Slow →Fast
9	000-003 004-007 008-011 012-015 016-019 020-023 024-027 028-031 032-035 036-039 040-043 044-047 048-051 052-055 056-059 060-063 064-068 069-072 073-076 077-080	GOBO: Open Gobo1 Gobo2 Gobo3 Gobo4 Gobo5 Gobo6 Gobo7 Gobo8 Gobo9 Gobo10 Gobo11 Gobo12 Gobo13 Gobo14 Gobo15 Gobo1 Shaking Gobo2 Shaking Gobo3 Shaking Gobo4 Shaking

	081-084 085-089 090-093 094-097 098-101 102-105 106-110 111-114 115-118 119-122 123-126 128-189 190-193 194-255	Gobo5 Shaking Gobo6 Shaking Gobo7 Shaking Gobo8 Shaking Gobo9 Shaking Gobo10 Shaking Gobo11 Shaking Gobo12 Shaking Gobo13 Shaking Gobo14 Shaking Gobo15 Shaking Rotation: Fast → Slow Stop Rotation: Slow →Fast
10	000-007 008-255	PRISM: No Effect Prism Effect
11	000-127 128-189 190-193 194-255	R-PRISM: Index: 0→ 360 Rotation: Fast → Slow Stop Rotation: Slow →Fast
12	000-129 130-139 140-199 200-209 210-229 230-239 240-249 250-255	FUNCTION: Null Lamp On Null Reset All Null Lamp Off Null Sound Function

MAINTENANCE

- Make sure the area below the installation place is free from unwanted persons during servicing.
- Switch off the unit, unplug the mains cable and wait until the unit has been cooled down.

During inspection the following points should be checked:

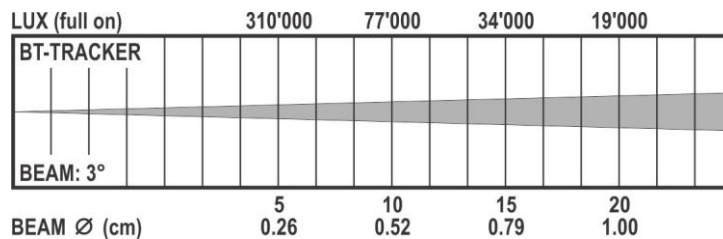
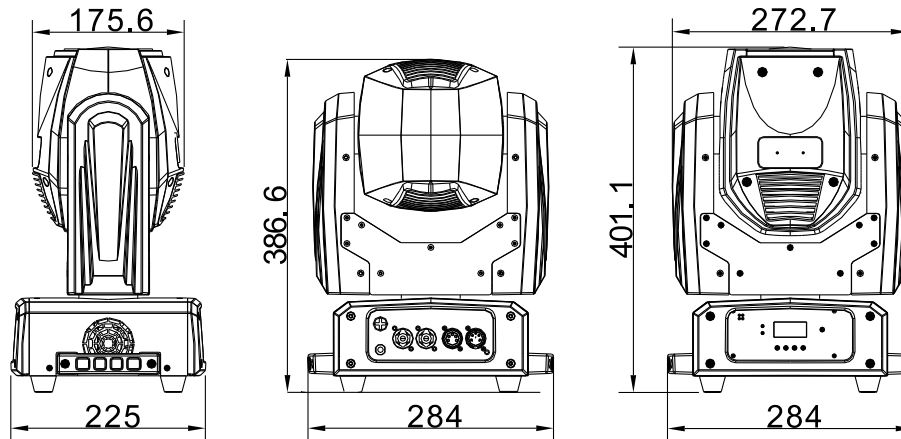
- All screws used for installing the device and any of its parts should be tightly fastened and may not be corroded.
- Housings, fixations and installations spots (ceiling, truss, suspensions) should be totally free from any deformation.
- When an optical lens is visibly damaged due to cracks or deep scratches, it must be replaced.
- The mains cables must be in impeccable condition and should be replaced immediately when even a small problem is detected.
- In order to protect the device from overheat the cooling fans (if any) and ventilation openings should be cleaned monthly.
- The interior of the device should be cleaned annually using a vacuum cleaner or air-jet.
- The cleaning of internal and external optical lenses and/or mirrors must be carried out periodically to optimize light output. Cleaning frequency depends on the environment in which the fixture operates: damp, smoky or particularly dirty surroundings can cause greater accumulation of dirt on the unit's optics.
 - Clean with a soft cloth using normal glass cleaning products.
 - Always dry the parts carefully.
 - Clean the external optics at least once every 30 days.
 - Clean the internal optics at least every 90 days.

Attention: We strongly recommend internal cleaning to be carried out by qualified personnel!

SPECIFICATIONS

This unit is radio-interference suppressed. This product meets the requirements of the current European and national guidelines. Conformity has been established and the relevant statements and documents have been deposited by the manufacturer. This device was designed to produce decorative effect lighting and is used in light show systems.

Mains Input:	AC 100 - 240V, 50/60Hz
Power consumption:	190 Watt
Fuse:	250V 5A slow blow (20mm glass)
Power connections:	Neutrik® PowerCON® - 16A Power linking capacity.
DMX connections:	3pin-XLR male / female
DMX channels used:	12 + 5 AUTO
Lamp:	SIRIUS HRI-100 (OSRAM)
Beam Angle:	3°
Color wheel:	14 colors + open
GOBO wheel:	15 fixed gobos
Special effects:	8facet rotating prism
IP-Rating:	IP20
Operating temperature (T_a):	0°C to 40°C
Rigging:	quarter turn omega clamp (big model)
Size:	279 x 225 x 401 mm
Weight:	9,7 kg

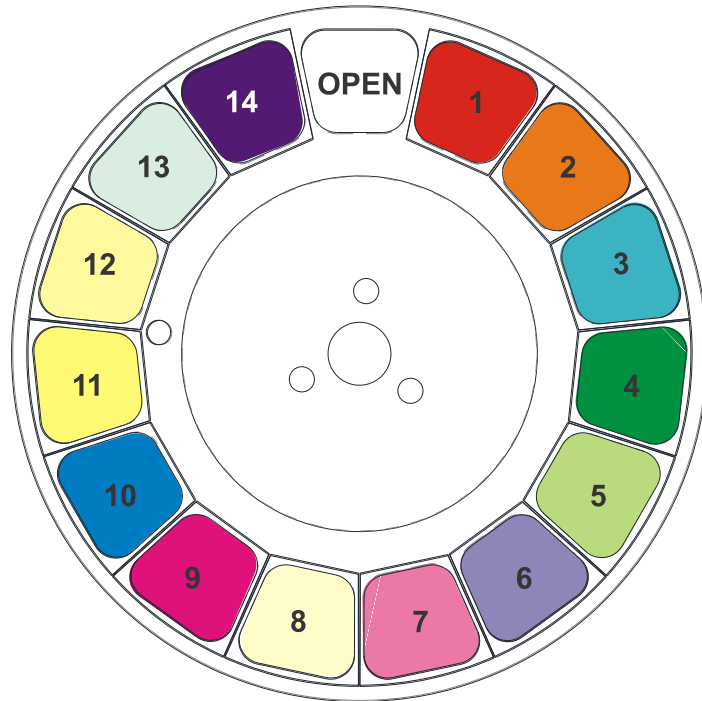


All information is subject to change without prior notice
 You can download the latest version of this user manual on our website: www.briteq-lighting.com

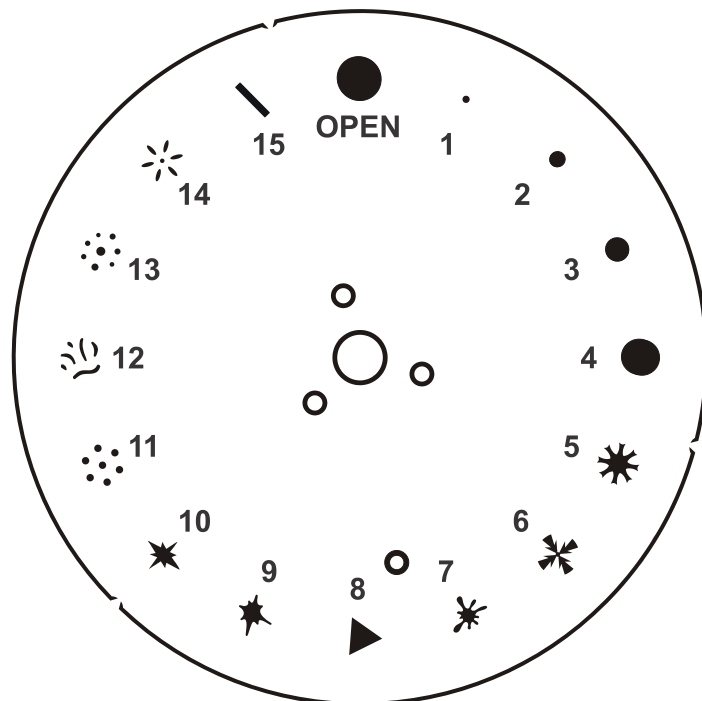
ANNEX

Color nrs:

- 0 = white
- 1 = red
- 2 = orange
- 3 = aqua marine
- 4 = green
- 5 = light green
- 6 = lavender
- 7 = pink
- 8 = yellow
- 9 = magenta
- 10 = cyan
- 11 = CTO 260
- 12 = CTO 190
- 13 = CTB 8000
- 14 = blue



GOBO nrs:





MAILING LIST

EN: Subscribe today to our mailing list for the latest product news!

FR: Inscrivez-vous à notre liste de distribution si vous souhaitez suivre l'actualité de nos produits!

NL: Abonneer je vandaag nog op onze mailinglijst en ontvang ons laatste product nieuws!

DE: Abonnieren Sie unseren Newsletter und erhalten Sie aktuelle Produktinformationen!

ES: Suscribete hoy a nuestra lista de correo para recibir las últimas noticias!

WWW.BRITEQ-LIGHTING.COM

Copyright © 2016 by BEGLEC NV

't Hofveld 2C ~ B1702 Groot-Bijgaarden ~ Belgium

Reproduction or publication of the content in any manner, without express permission of the publisher, is prohibited.