

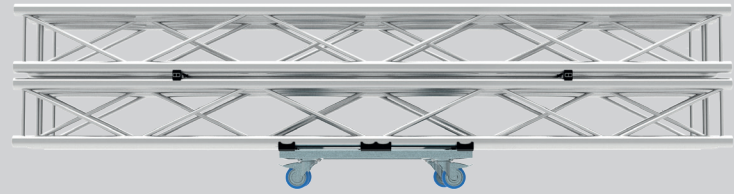


ADMIRAL
STAGING

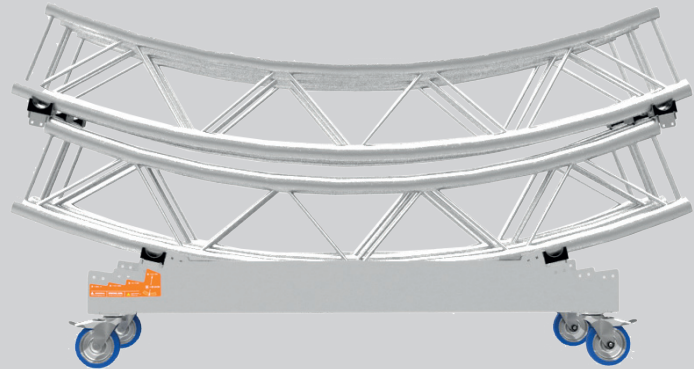
Transport truss
securely and efficiently

STRONG FAMILY

Ideal for both 30 and 40 truss, the Strong Boy is the perfect solution for transporting straight truss. Use it together with its Mini version to easily ride the loaded dolly up a stage ramp. Our Strong girl can transport circular trusses with a square cross section and an outer diameter from 2.5 m up to an infinite diameter.



Strong Boy®



Strong Girl



Strong Boy mini®

KEY FEATURES

Sturdy design

These strong, durable dollies are made out of 2 and 3 mm galvanized steel, made to withstand the test of time.

Optimal friction

The frame is equipped with rubber studs that ensure a suitable positioning of your truss and prevent it from slipping.

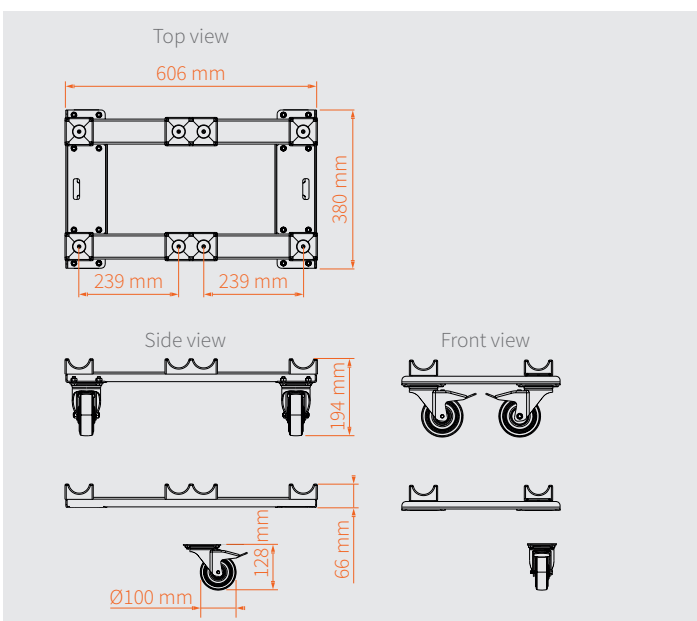
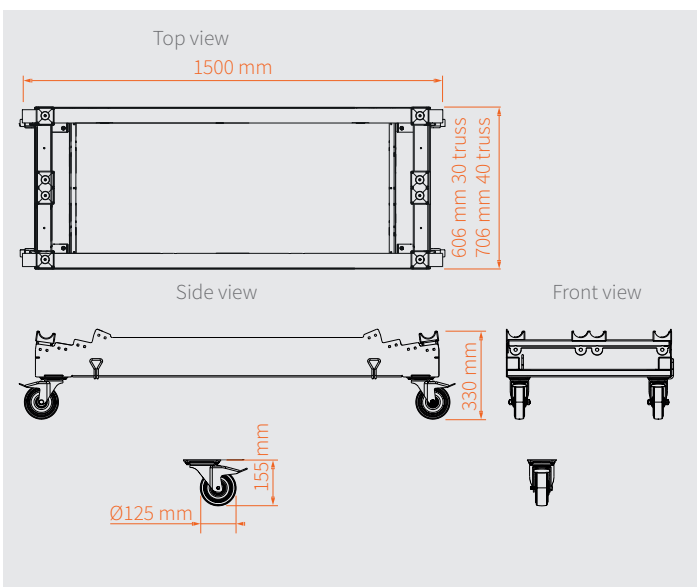
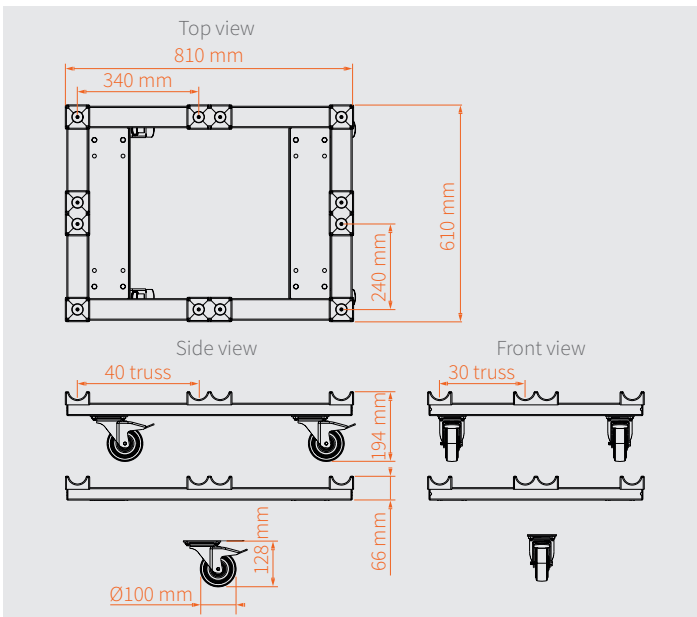
Easy to secure load

The frame of the dollies have cutouts that allow you to easily attach the hooks of your straps so your load can be secured.

© Design registered in the EU and UK

www.admiralstaging.com

DIMENSIONS



TECHNICAL DATA

Strong Boy®

Article code:	WASBC34WP
EAN:	8720094425528
WLL:	130 kg
Dimensions:	810 x 610 x 194 mm (L x W x H)
Weight:	13.6 kg

Set includes

1x Strong Boy® frame

Article code:	WASBC34
EAN:	8720094425511
Material:	galvanized steel
Dimensions:	810 x 610 x 66 mm (L x W x H)
Weight:	9.8 kg

4x Castor 100 mm with brake

Article code:	ZEWACW14
1x Boltset Strong Boy, for 100/125 mm castor	
Article code:	ZEM2SV34

Strong Girl 30 truss

Article code:	WASG230
EAN:	8720094425535
WLL:	200 kg
Material:	galvanized steel
Dimensions:	1500 x 606 x 330 mm (L x W x H)
Weight:	30.5 kg
Castors:	4 x ZEWACW24 - 125 mm with brake

Strong Girl 40 truss

Article code:	WASG240
EAN:	8720094425542
WLL:	200 kg
Material:	galvanized steel
Dimensions:	1500 x 706 x 330 mm (L x W x H)
Weight:	30.6 kg
Castors:	4 x ZEWACW24 - 125 mm with brake

Strong Boy mini®

Article code:	WASBM10C
EAN:	8720094427157
WLL:	130 kg
Dimensions:	606 x 380 x 194 mm (L x W x H)
Weight:	10.7 kg

Set includes

1x Strong Boy mini® frame

Article code:	WASBM10
EAN:	8720094425511
Material:	galvanized steel
Dimensions:	606 x 380 x 66 mm (L x W x H)
Weight:	7.48 kg

4x Castor 100 mm with brake

Article code:	ZEWACW14
1x Boltset Strong Boy mini, for 100/125 mm castor	
Article code:	ZEM2SV34

© Design registered in the EU and UK



ADMIRAL
STAGING

| www.admiralstaging.com | Josink Kolkweg 10 | 7545 PR Enschede | The Netherlands | Tel: +31 53 4 301 201 |